

# INSTALLATION GUIDE

## OVERHEAD STORAGE SYSTEM



SCAN THIS QR CODE FOR  
THE FULL INSTALL VIDEO.

---

Questions or Concerns?

Contact us at:  [info@storeyourboard.com](mailto:info@storeyourboard.com)

# **IMPORTANT INFORMATION**

---

Overhead Storage System

Manufactured for Spire LLC in Vietnam

Quantity: 1

**WARNING! The product is NOT intended for use by any person under the age of 18 years old. You must be over the age of 18 to install or use the product.**

**WARNING! Strictly follow all instructions to avoid an accident, damage to property, personal injury or death.**

## **READ THE ENTIRE USER MANUAL BEFORE INSTALLATION**

The User Manual you received with your product provides instructions on how to install and use your product. The instructions are written for a person with a basic understanding of tools and procedures. Read the entire manual before proceeding. If you do not understand any portion of the instructions, do not attempt installation, and email us with the information on the cover.

## **CORRECTLY INSTALL THE PRODUCT**

Read and follow all instructions carefully.

Failure to properly install and use the product could allow the product to dismantle or fall, injuring persons or personal property in the process. Accordingly, it is critical that the product be assembled and installed correctly and according to the instructions in the User Manual.

## **USE TOOLS SAFELY**

The procedures in the User Manual may require climbing ladders and/or operating power tools. Make sure you are familiar with these tools and their safety procedures before attempting to use such tools during installation. Always be aware of electrical wires during installation. Failure to do so could result in an electrical shock or death.

## **CAUTION**

It is the consumer's responsibility to install this system in accordance with all codes, ordinances, and local regulations.

When installing the product, it is the consumer's responsibility to ensure the structural integrity of the structure it is being mounted to.

The product is intended for the storage of equipment only. Do not use it for any other purpose.

This system has a maximum capacity stated in the following section. Overloading the system could result in damage to property or injury.

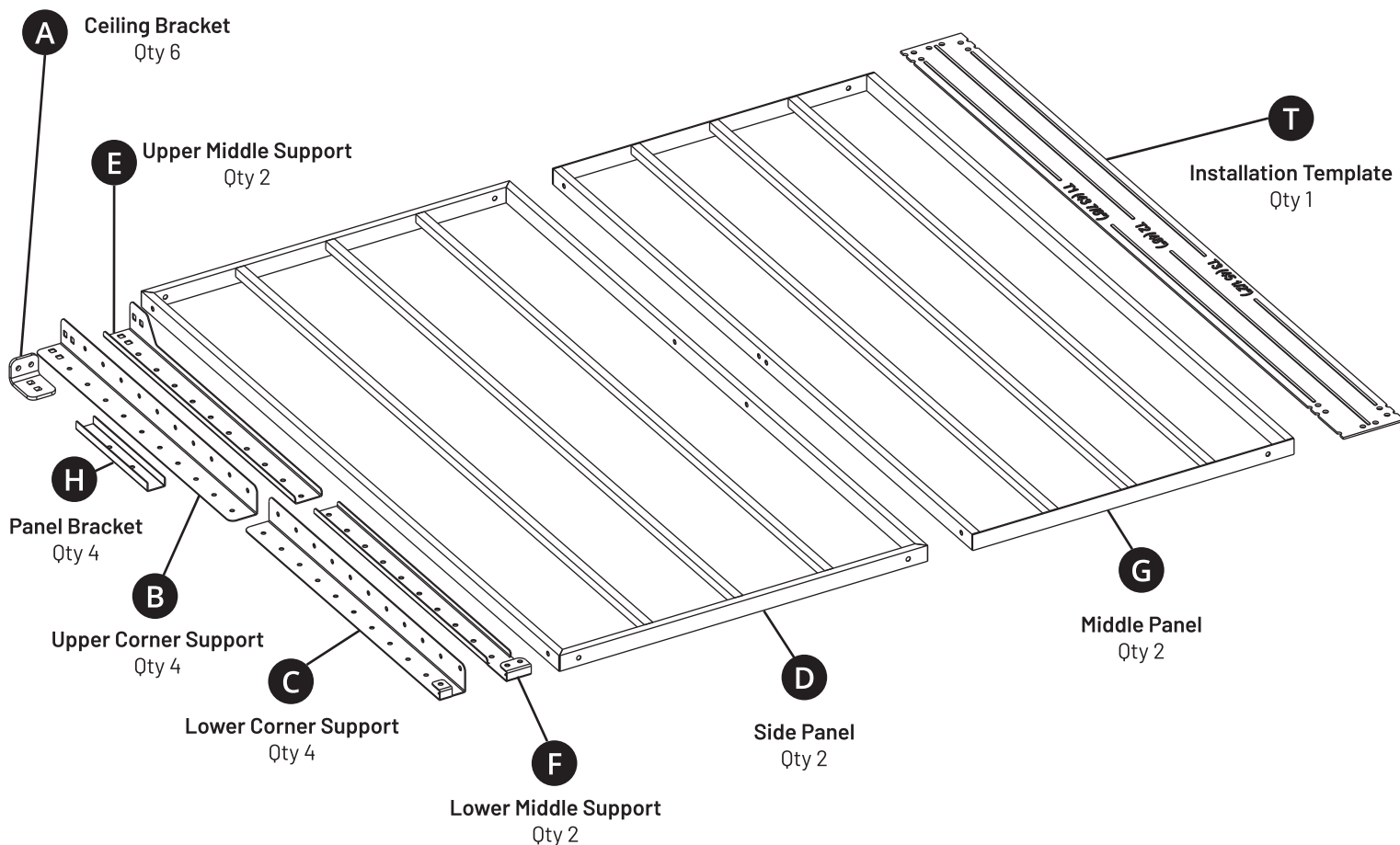
Use extreme caution when loading and unloading equipment from this system.

It is the consumer's responsibility to ensure that the system is in proper working condition before loading objects onto the system. Check tightness of all bolts and screws periodically. Failure to properly maintain the system could result in damage to property or injury.

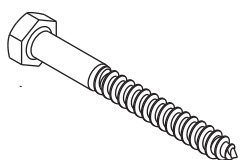
## **WARNING AND DISCLAIMER**

Spire LLC (d/b/a StoreYourBoard) expressly disclaims any and all liability for personal injury, property damage or loss, whether direct, indirect, incidental, resulting from the incorrect mounting, improper use, inadequate maintenance, or neglect of this system.

# OVERHEAD STORAGE SYSTEM PARTS



## HARDWARE



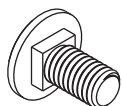
**I**

**Lag Screw**  
1/4" x 2.5"  
12mm Socket  
Qty 12



**J**

**Small Washer**  
M6  
Qty 32



**K**

**Carriage Bolt**  
M8 x 16mm  
Qty 12



**L**

**Large Locknut**  
M8  
13mm Socket  
Qty 12



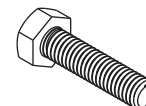
**M**

**Large Washer**  
M8  
13mm Socket  
Qty 12



**N**

**Small Bolt**  
M6 x 10mm  
10mm Socket  
Qty 20



**O**

**Large Bolt**  
M6 x 25mm  
10mm Socket  
Qty 24



**P**

**Small Locknut**  
M6  
10mm Socket  
Qty 44

### WEIGHT LIMITS:

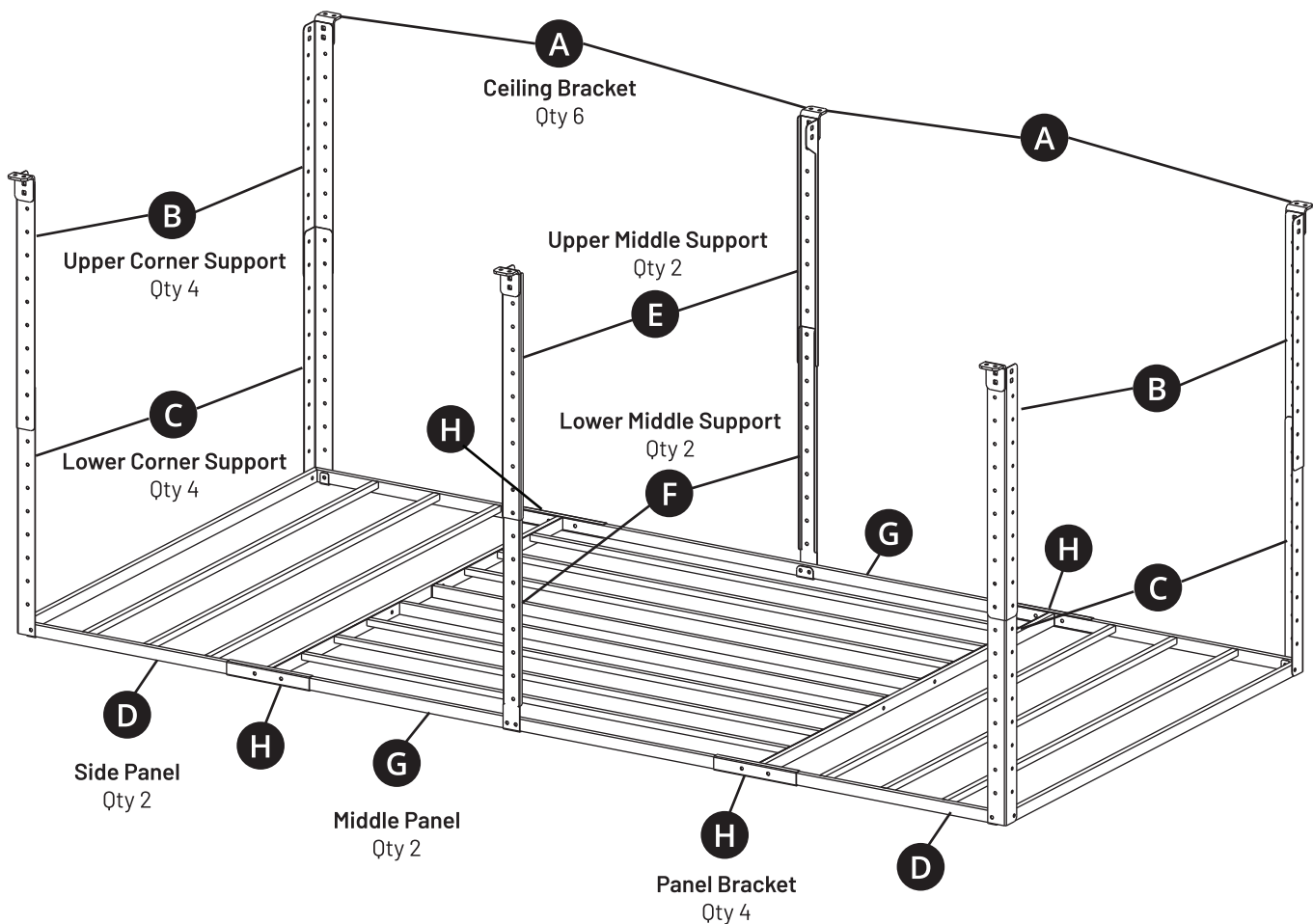
700 lbs. evenly distributed when properly installed

### REQUIRED TOOLS:

Drill/driver  
Hex Wrench  
Stud Finder  
3/16" (5mm drill bit)  
10mm Socket  
12mm Socket  
13mm Socket

# INSTALLATION OVERVIEW

1. Plan location
  - A. Determine joist direction and spacing
  - B. Determine orientation of shelves relative to joists (parallel or perpendicular)
  - C. Measure footprint where you want system to hang from ceiling
2. Install Ceiling Brackets
  - A. Find and mark joists
  - B. Use template to mark locations, predrill holes
3. Assemble vertical supports to desired height
4. Loosely attach vertical supports to ceiling brackets
5. Assemble shelf parts and fully tighten
6. Place shelves into vertical support hooks and install with bolts
7. Tighten vertical support bolts in Ceiling Brackets



**This image shows a fully installed system (without hardware). Use it as a reference to understand where each part goes.**

# INSTALLATION STEPS

1

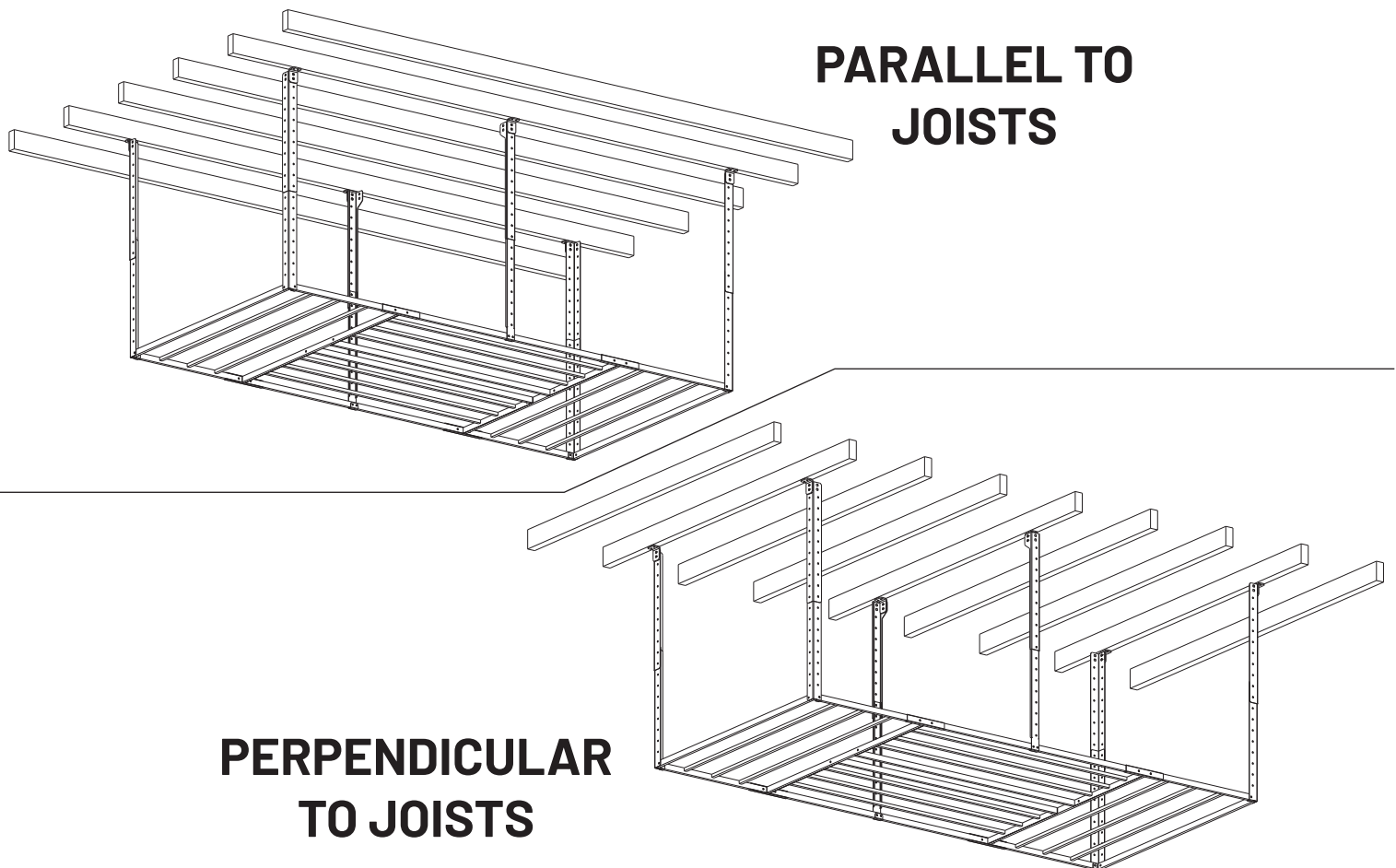
Plan the location on your ceiling where you will install the overhead storage system. You must mount the Ceiling Brackets to wood ceiling joists. Find the spacing and orientation of your joists and determine where you will mount the overhead storage system relative to the joists.

This product can be installed with joist spacing of 16" or 24" and it can be installed with the long direction perpendicular or parallel to the joists.

If you are installing the system **parallel** to the joists then the spacing between the short side must be 48 inches (4 feet). This will be a span of 4 joists for 16" spacing or 3 joists for 24" spacing. The length of the system parallel to the joists on the long side is 8 feet (96 inches).

If you are installing the system **perpendicular** to the joist then the spacing between the long side must be 96 inches (8 feet). This will be a span of 7 joists for 16" spacing or 5 joists for 24" spacing. The spacing between the ends and middle joist will be 48 inches (4 feet), which is a span of 4 joists for 16" spacing or 3 joists for 24" spacing.

If your joist spacing is off or you want to mount the overhead storage system somewhere else besides perfectly aligned with the joists then you must use a piece of lumber such as a 2x4 mounted securely to every joist and then mount the overhead storage system to that piece of wood. The hardware included is only for mounting the overhead storage system and not any additional wood that might be required.



2

Find the joists where you will mount the ceiling brackets. If the joists are covered with drywall, use a stud finder to locate and mark the CENTER of the joists.

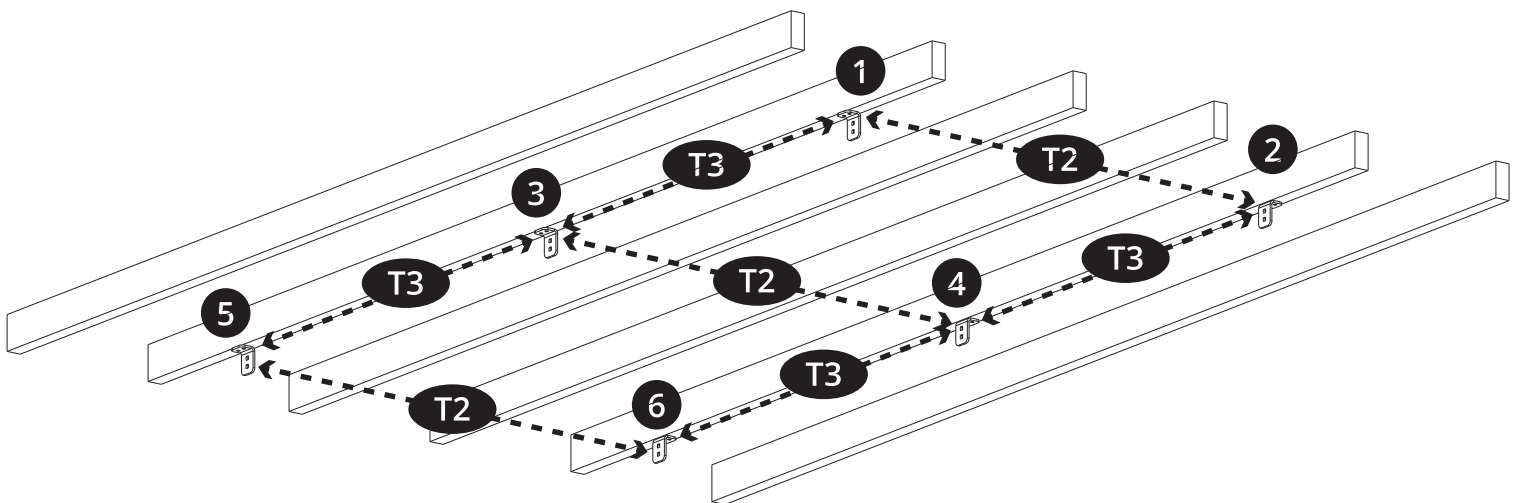
### 3 - PARALLEL

Use the provided Installation Template to mark the ceiling bracket locations on the joists with the following steps:

NOTE: For all of these steps, it is more important to be securely attached to a joist than perfectly aligned with the template. There is some flexibility designed into the steel components for imperfect joist spacing or template marking, but none of the components should be misaligned so much that they bend.

#### PARALLEL INSTALLATION:

1. Start in one corner, whichever is easiest to access, and hold one Ceiling Bracket against the ceiling joist or centerline and mark the hole locations with a pencil. Both holes should be directly on the center of the joist.
2. Use a push pin or a helper to hold the Installation Template against the holes you just marked aligned with one side of the T2 Distance and trace the holes from the other side of the T2 Distance directly over the center of your joist. If you prefer not to use the template, the distance between the center of the holes is 48 inches. This will be the other corner of the short side of the product.
3. Use the same method to hold the Installation Template from the markings for the corners, this time using the T3 Distance. These will be the Ceiling Brackets in the middle of the product. The distance between the 2 closest holes is 45.5"
4. Use the Installation Template and the T3 Distance from the Middle markings to mark the 3rd and 4th corners over the center of the joists.
5. Ensure the 3rd and 4th corners are the correct distance from each other with the T2 Distance on the template and make sure all holes are marked along the center of the joists and aligned with each other.



**This image shows the order for marking the holes and which template distances to use, but you are not installing the brackets yet**

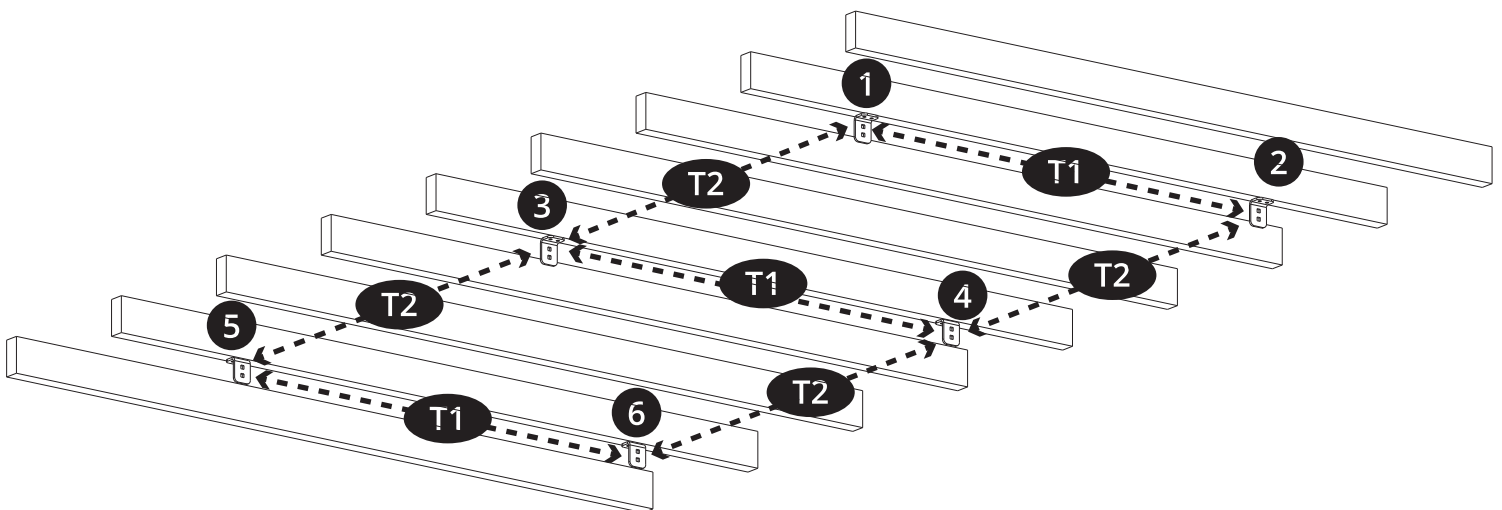
### 3 - PERPENDICULAR

Use the provided Installation Template to mark the ceiling bracket locations on the joists with the following steps:

NOTE: For all of these steps, it is more important to be securely attached to a joist than perfectly aligned with the template. There is some flexibility designed into the steel components for imperfect joist spacing or template marking, but none of the components should be misaligned so much that they bend.

#### PERPENDICULAR INSTALLATION:

1. Start in one corner, whichever is easiest to access, and hold one Ceiling Bracket against the ceiling joist or centerline and mark the hole locations with a pencil. Both holes should be directly on the center of the joist.
2. Use a push pin or a helper to hold the Installation Template against the holes you just marked aligned with one side of the T1 Distance and trace the holes from the other side of the T1 Distance directly over the center of your joist. If you prefer not to use the template, the distance between the center of the 2 closest holes is  $43\frac{7}{8}$  inches. This will be the other corner of the short side of the product.
3. Use the same method to hold the Installation Template from the markings for the corners, this time using the T2 Distance. These will be the Ceiling Brackets in the middle of the product. The distance between the holes is 48"
4. Use the Installation Template and the T2 Distance from the Middle markings to mark the 3rd and 4th corners over the center of the joists.
5. Ensure the 3rd and 4th corners are the correct distance from each other with the T1 Distance on the template and make sure all holes are marked along the center of the joists and aligned with each other.



**This image shows the order for marking the holes and which template distances to use, but you are not installing the brackets yet**

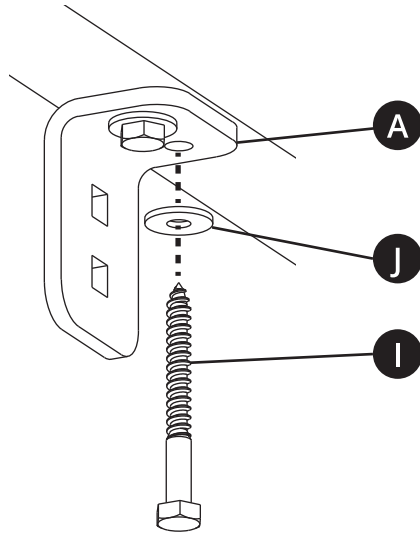


4

Drill all the holes you marked with a 3/16" (5mm) drill bit

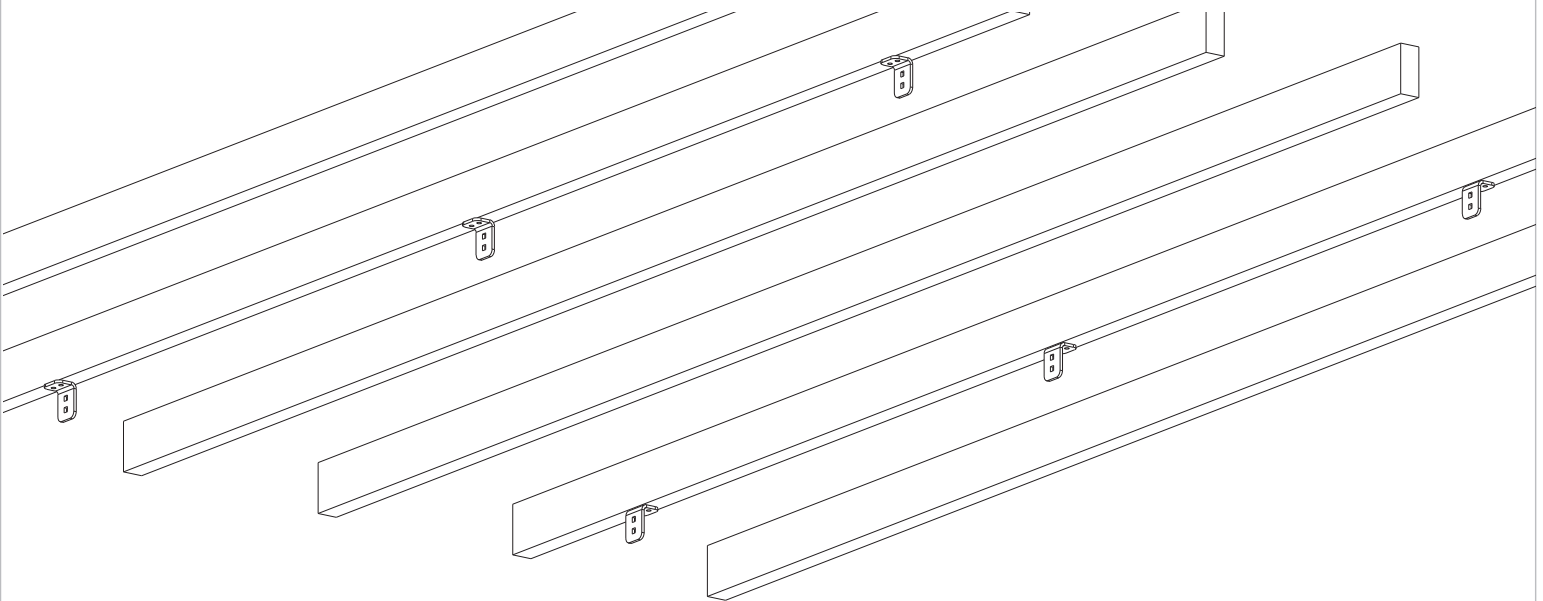
5

Use a 12mm socket with a drill or impact driver to install the Ceiling Brackets into the drilled holes with the Lag Screws and Washers.



## 5 - PARALLEL

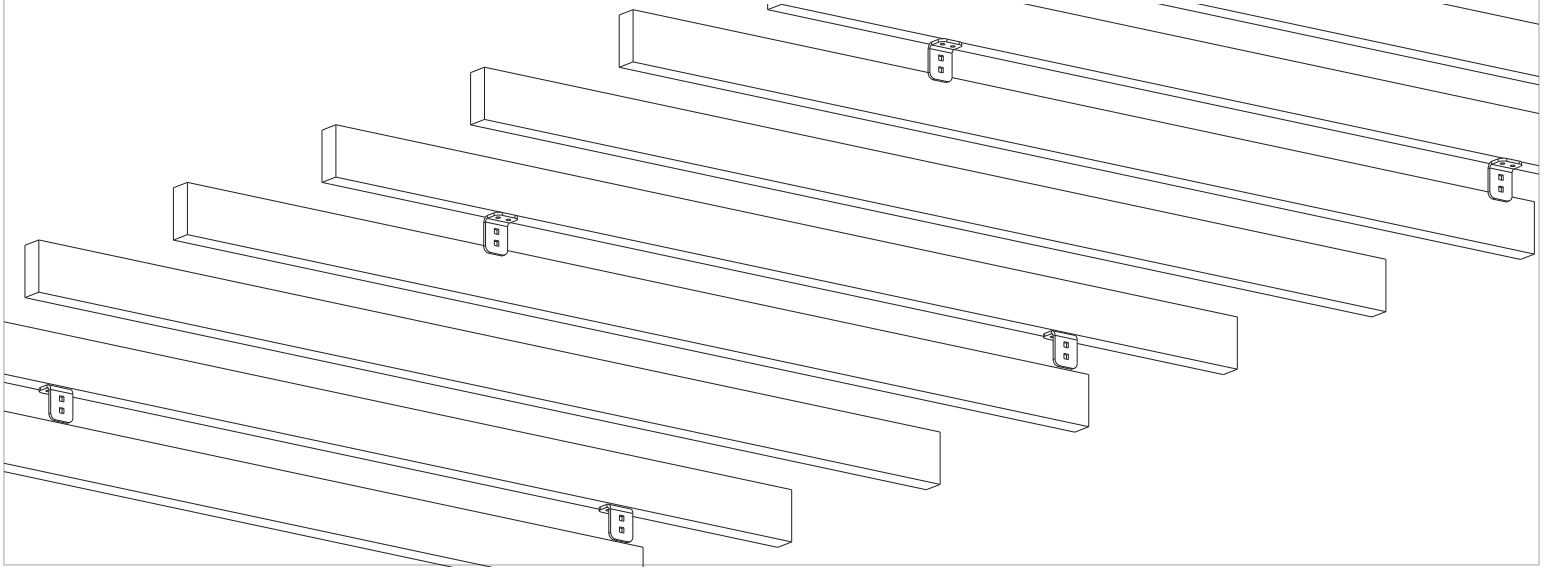
**PARALLEL INSTALLATION:** Orient the corner and middle Ceiling Brackets so that the vertical sides are bending toward the shelf.





## 5 - PERPENDICULAR

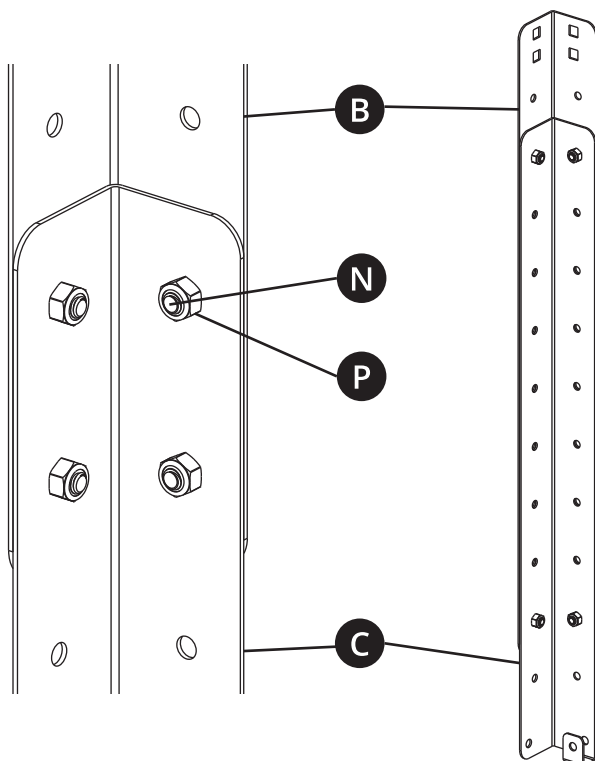
Orient the corner Ceiling Brackets so that the vertical sides are bending toward the shelf. The Middle Ceiling Brackets will alternate directions to properly connect to the Middle Supports. When standing on the short ends, the middle ceiling bracket on the right will bend away toward you and the left will bend away from you. When standing on the long ends, the middle ceiling bracket closest to you will bend to the left and the middle ceiling bracket furthest from you will bend to the right. Use the image to understand the orientation.



6

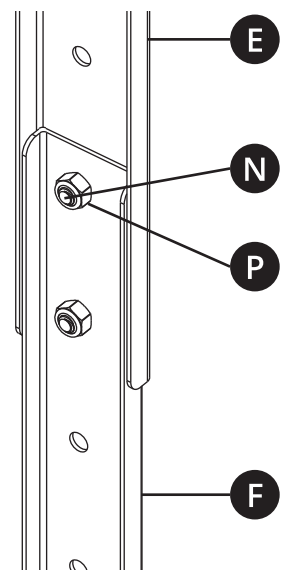
Determine the distance from the ceiling that you want to hang the Overhead Storage System. Measure and assemble the Vertical Supports with two Small Bolts (N) and Small Locknuts (P) at the ends of each mating support piece so they are all the same length. Each hole is 2 inches from each other.

The Upper Supports (B and E) are on the outside of the Lower Supports (C and F) for all 4 corners and 2 middle supports.



Whatever length you choose, the bolts are at the ends of each piece.

There are 4 bolts and nuts per corner support, 2 bolts and nuts per middle support.

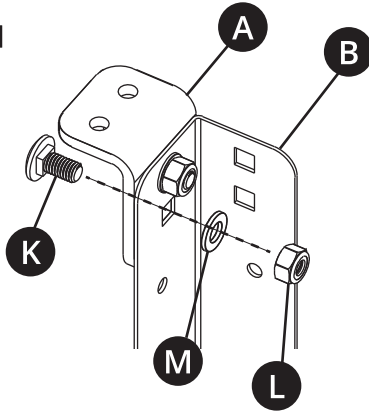


7

Loosely attach Upper Vertical Supports (B and E) to Ceiling Brackets (A) with Carriage Bolts (K), Large Washers (M), and Large Locknuts (L). Do not fully tighten until the final step after the shelf has been assembled and connected.

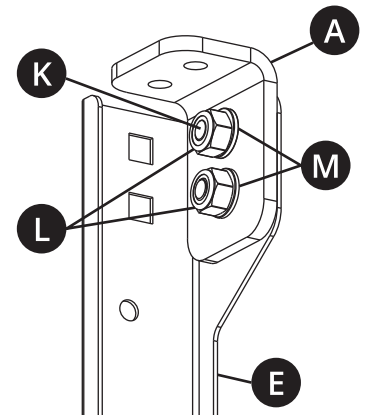
**PARALLEL INSTALLATION**

**ONLY:** Ceiling Brackets (A) are installed on the outside of the Upper Supports for the corners and the middle.



**PERPENDICULAR INSTALLATION ONLY:**

Ceiling Brackets (A) are installed on the outside of the Upper Corner Supports (B), but on the **INSIDE** of the Upper Middle Supports (E).



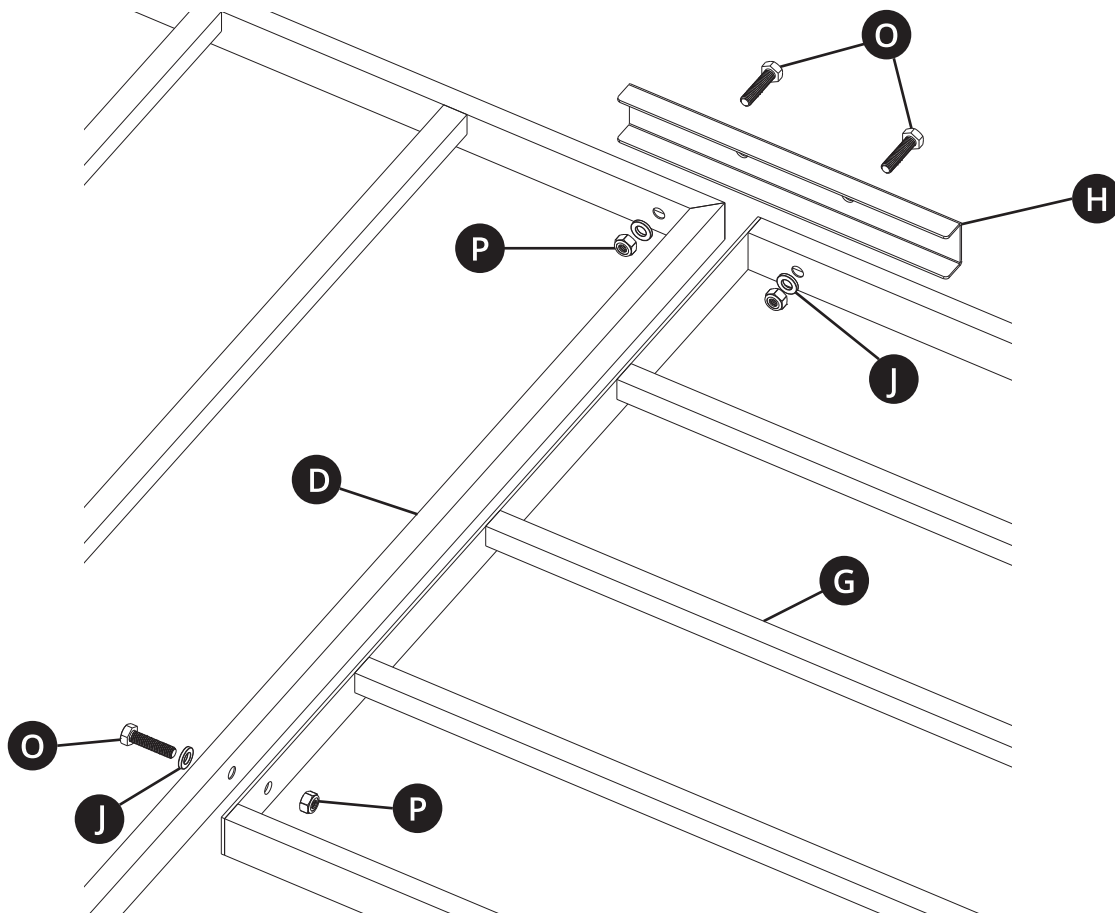
8

Assemble the Shelf Middles (G) to the Shelf Sides (D) with the Large Bolts (O), Small Washers (J), and Small Locknuts (P) as shown. Use the Panel Brackets on the side of the shelf components and assemble with Large Bolts, Small Washers, and Small Locknuts.

Orient the Shelf Sides and Middles so that the square tubes that run across the shelf are flush with the top of the shelves as shown in the image. Fully tighten but do not over tighten the locknuts.

Use a Small Washer (J) any place that the Bolt or Locknut is against a steel tube.

Orient the Shelf Sides so that the 2 holes in the middle of the long tube on the edge are facing the outside of the shelves, these will connect to the Vertical Supports.



9

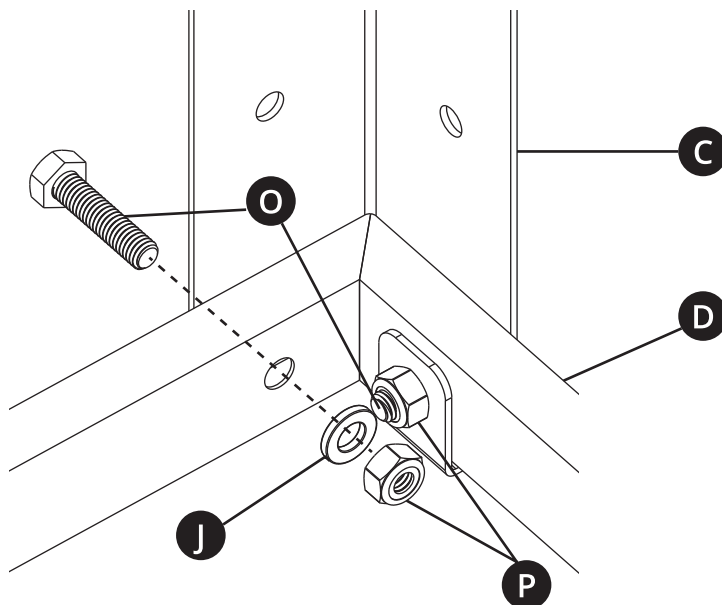
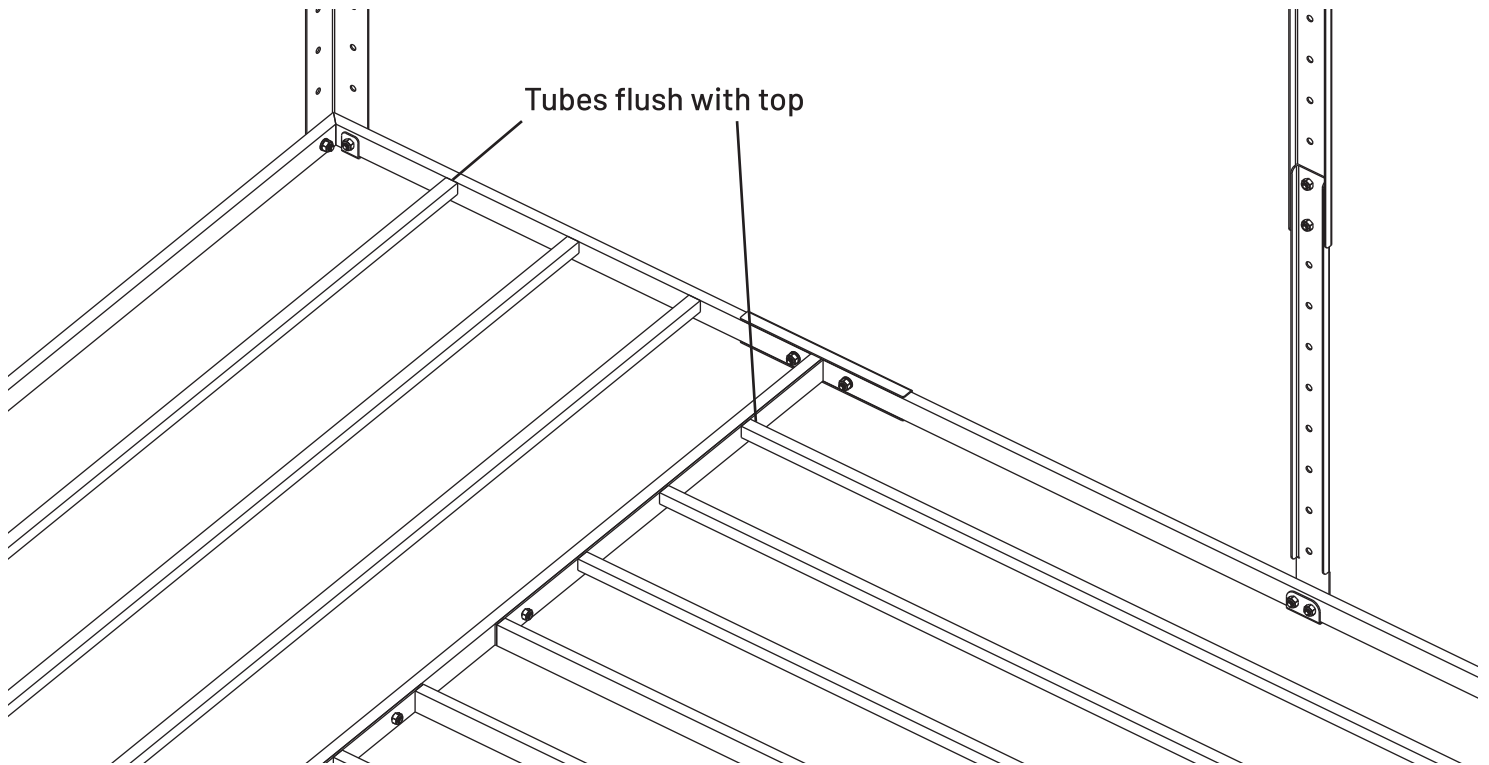
With the Shelf fully assembled and the Vertical Supports loosely hanging from the Ceiling Brackets, lift the shelf into the hooks on the bottom of the Lower Vertical Supports so that all 6 hooks are holding the shelf with the holes aligned between the supports and the shelves.

10

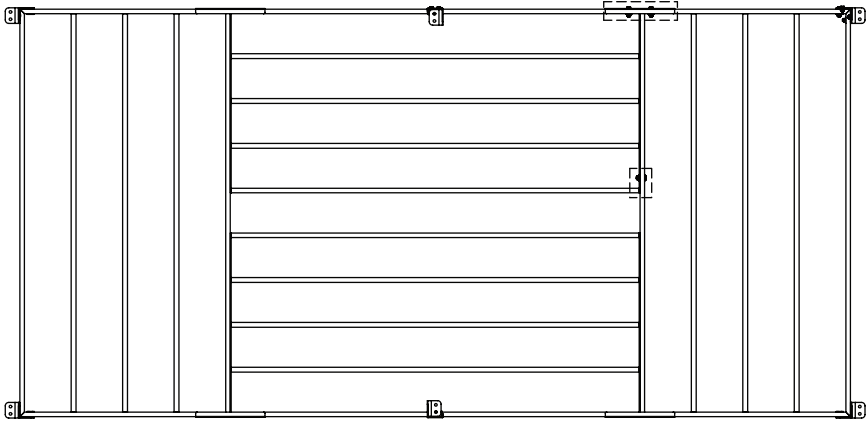
Use Large Bolts (O), Small Washers (J), and Small Locknuts (P) to secure the shelf to the Lower Vertical Supports and fully tighten but do not over tighten.

11

After ensuring everything is properly aligned, fully tighten the Large Locknuts (L) on the Ceiling Brackets (A) and Upper Vertical Supports (B and E). It is okay if some of the Vertical Supports are not completely straight, but re-check your ceiling bracket spacing if anything looks unsafe or you have to bend any parts to make them fit.



# HARDWARE DETAILS



Top view

