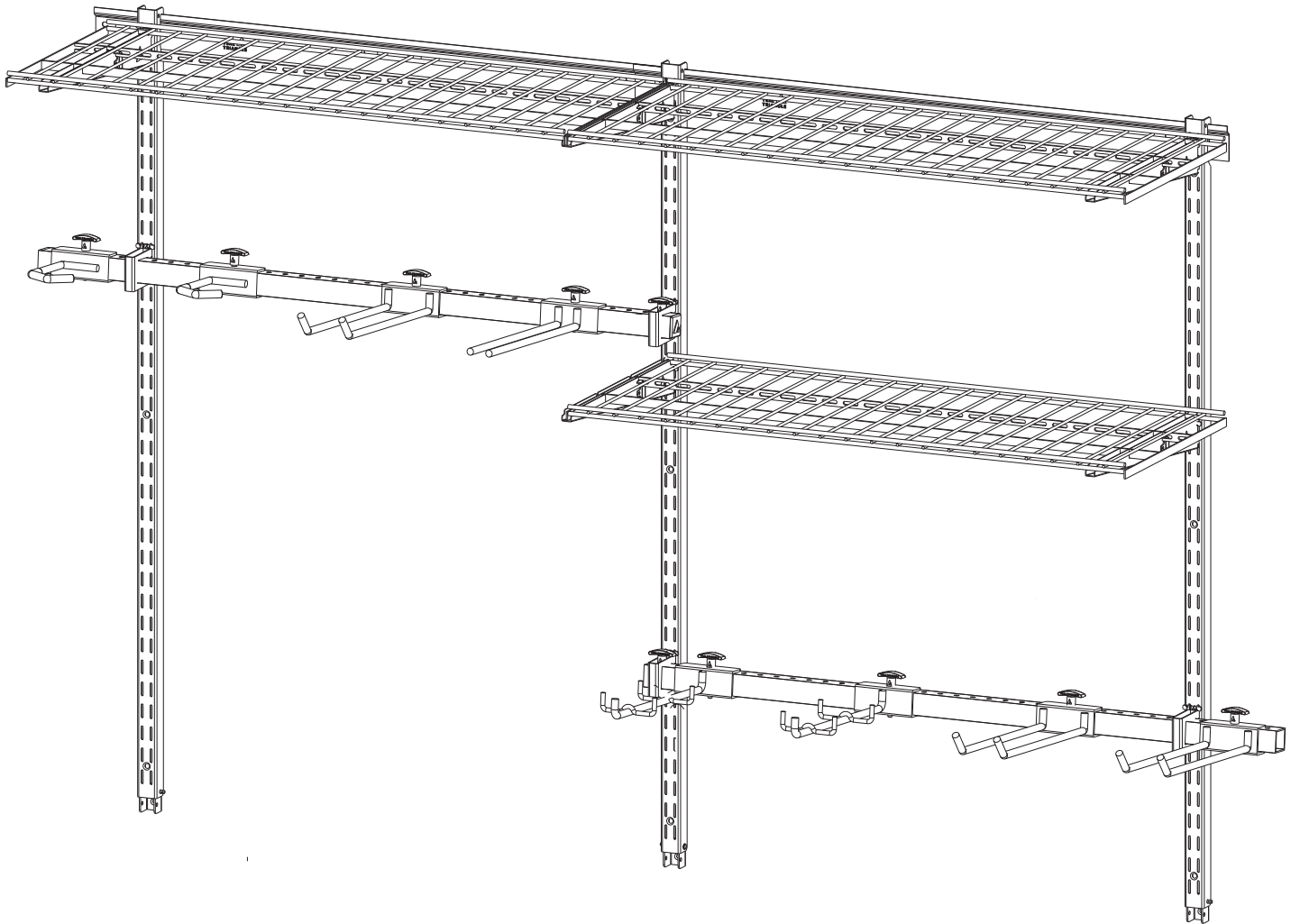


# ▲ TEAL TRIANGLE



## INSTALLATION GUIDE

### G-SYSTEM



SCAN THIS QR CODE FOR  
THE FULL INSTALL VIDEO.

Questions or Concerns?

Contact us at:  [support@tealtriangle.com](mailto:support@tealtriangle.com)

# IMPORTANT INFORMATION

---

G-System

Manufactured for Spire LLC in Vietnam

Quantity: 1

**WARNING! The G-System Rack is NOT intended for use by any person under the age of 18 years old. You must be over the age of 18 to install or use the G-System Rack.**

**WARNING! Strictly follow all instructions to avoid an accident, damage to property, personal injury or death.**

**WARNING! Do not use this product for human suspension. Components can fail causing person to fall, possibly resulting in serious injury or death.**

**WARNING! When operating system, make sure the area below object is clear of persons. If object comes down too quickly, this can cause an accident.**

## **READ THE ENTIRE USER MANUAL BEFORE INSTALLATION**

The User Manual you received with your G-System Rack provides instructions on how to install and use your G-System Rack. The instructions are written for a person with a basic understanding of tools and procedures. Read the entire manual before proceeding. If you do not understand any portion of the instructions, do not attempt installation, and email [support@tealtriangle.com](mailto:support@tealtriangle.com).

## **CORRECTLY INSTALL THE PRODUCT**

Read and follow all instructions carefully.

Failure to properly install and use the G-System Rack could allow the product to dismantle or tip over, injuring persons or personal property in the process. Accordingly, it is critical that the G-System Rack be installed correctly and according to the instructions in the User Manual.

## **USE TOOLS SAFELY**

The procedures in the User Manual may require climbing ladders and/or operating power tools. Make sure you are familiar with these tools and their safety procedures before attempting to use such tools during installation. Always be aware of electrical wires during installation. Failure to do so could result in an electrical shock or death.

## **CAUTION**

It is the consumer's responsibility to install this system in accordance with all codes, ordinances, and local regulations.

When installing the G-System Rack, it is the consumer's responsibility to ensure the structural integrity of the structure it is being mounted to.

The G-System Rack is intended for the storage of sporting equipment only. Do not use it for any other purpose.

This system has a maximum capacity of 500 lbs. Overloading the system could result in damage to property or injury.

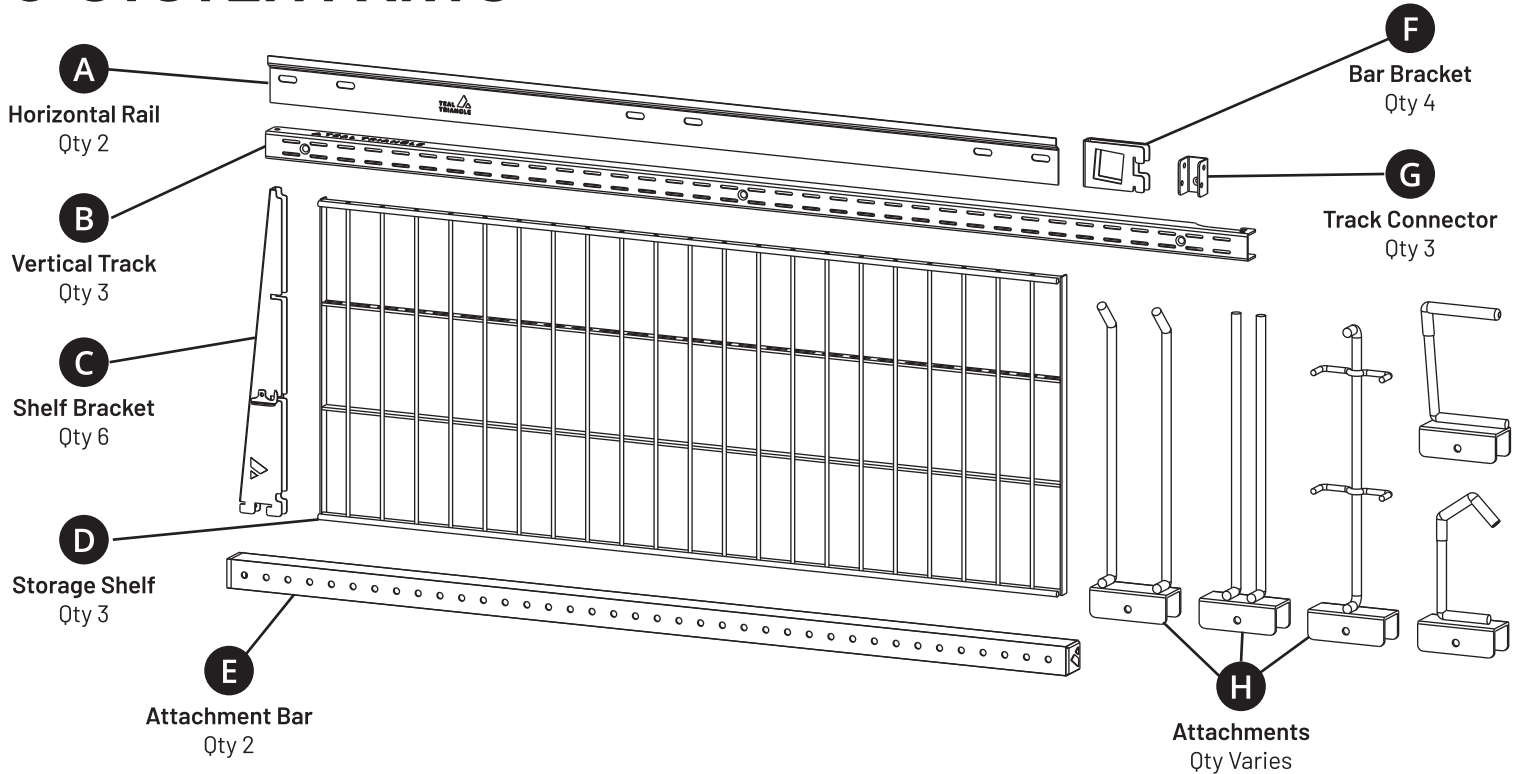
Use extreme caution when loading and unloading equipment from this system.

It is the consumer's responsibility to ensure that the system is in proper working condition before loading objects onto the system. Check tightness of all bolts and screws periodically. Failure to properly maintain the system could result in damage to property or injury.

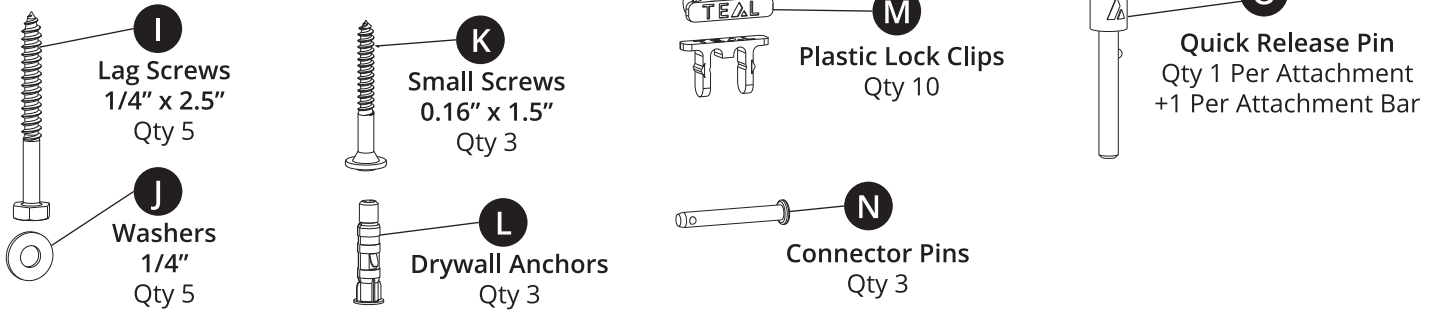
## **WARNING AND DISCLAIMER**

Spire LLC (d/b/a Teal Triangle) expressly disclaims any and all liability for personal injury, property damage or loss, whether direct, indirect, incidental, resulting from the incorrect mounting, improper use, inadequate maintenance, or neglect of this system.

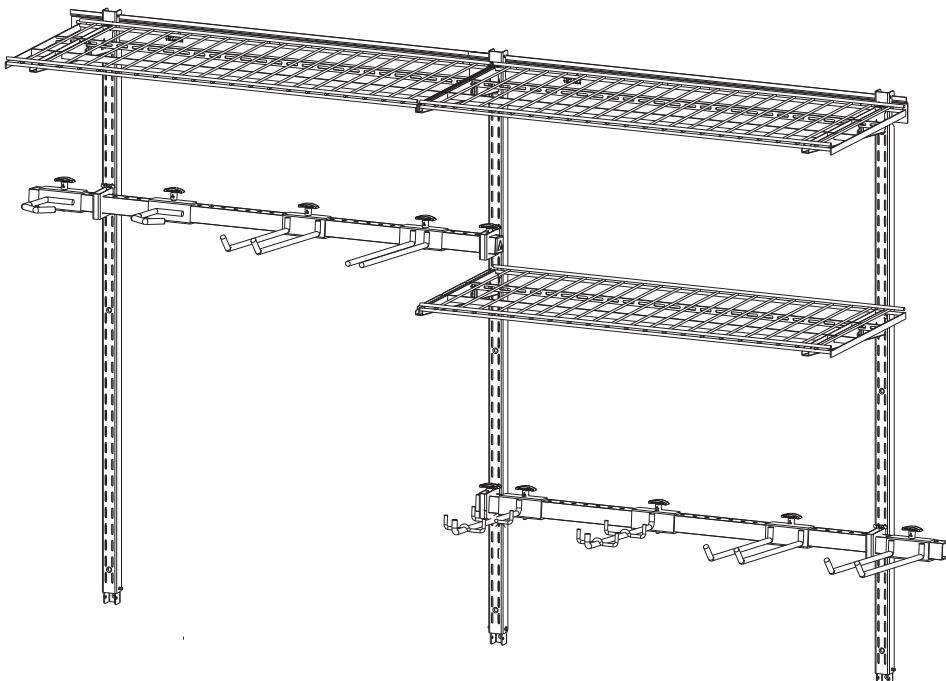
# G-SYSTEM PARTS



# G-SYSTEM HARDWARE



This image shows a fully installed G-System. Use it to understand the parts and refer to it during installation.



## WEIGHT LIMITS:

- 50 lbs. max per attachment
- 100 lbs. max per shelf
- 200 lbs. max per Attachment Bar
- 500 lbs. max total

## REQUIRED TOOLS:

- Drill / Impact Driver
- 12mm socket
- 3/16" (5mm) drill bit
- 3/32" (2.5mm) drill bit
- Phillips head screwdriver
- Stud finder
- Pencil

# INSTALLATION OVERVIEW

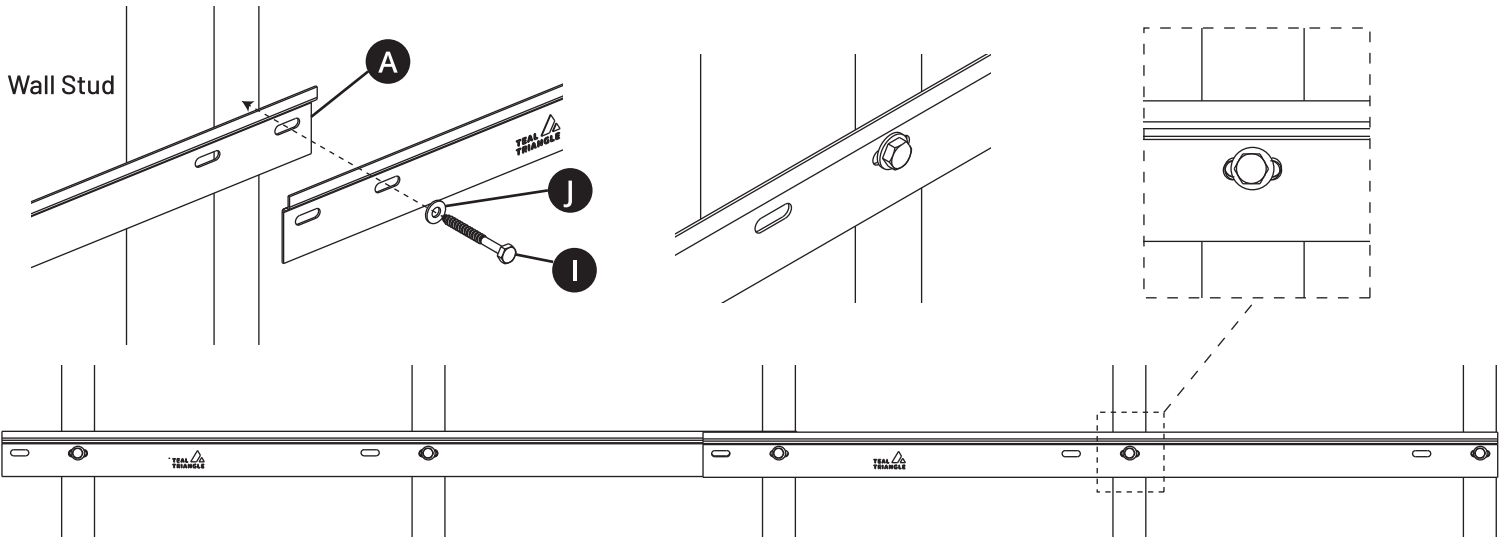
1. Plan location for installation
2. Find studs where you will mount the Horizontal Rails
3. Mount the Horizontal Rails to studs overlapping each other
4. Temporarily attach Vertical Tracks on Horizontal
5. Rails spaced 32" apart, ideally in line with studs
6. Place attachments (shelves, brackets, attachments)
7. Attach Track Connectors
7. Adjust attachments as needed

## INSTALLATION STEPS

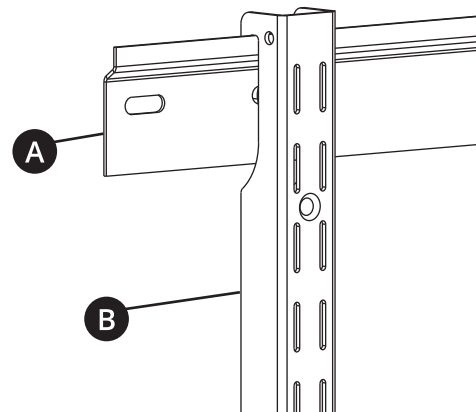
- 1** Plan where you want to install this product. For most systems we recommend installing the Horizontal Rail 80 inches from the floor and attaching the Vertical Tracks into the studs 32" apart. There are 3 vertical tracks, so the total width would be 64" wide.

- 2** Find and mark the center of the studs where you will mount the Horizontal Rails (A)

- 3** Use a 3/16" (5mm) drill bit to drill pilot holes into the studs, then use a 12mm socket with the Lag Screws (I) and Washers (J) to mount the Horizontal Rails (A) in every stud you can, with one end overlapping the other so they share a screw in the middle. The two Horizontal Rails should be attached to 5 studs.



- 4** Hang the Vertical Tracks (B) from the Horizontal Rails (A) and line them up over the lag screws attached in the studs



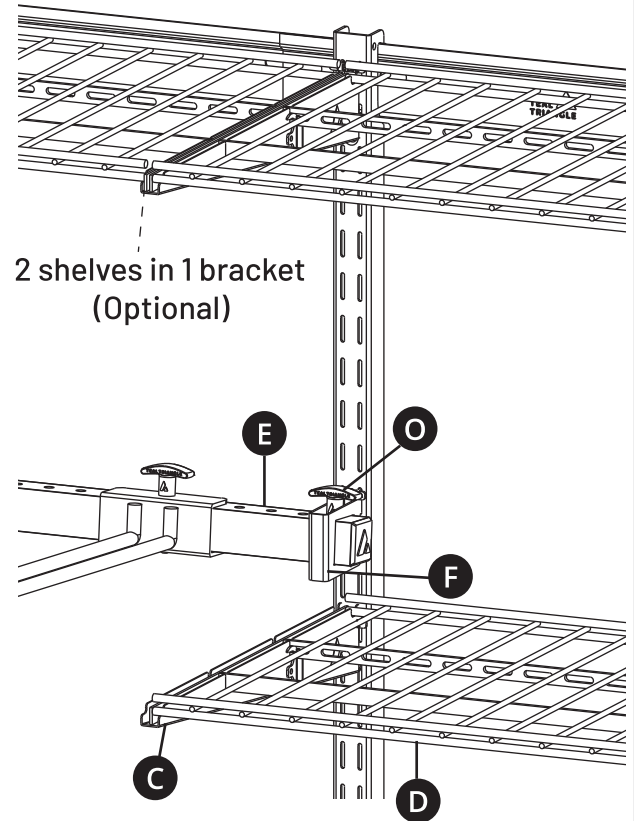
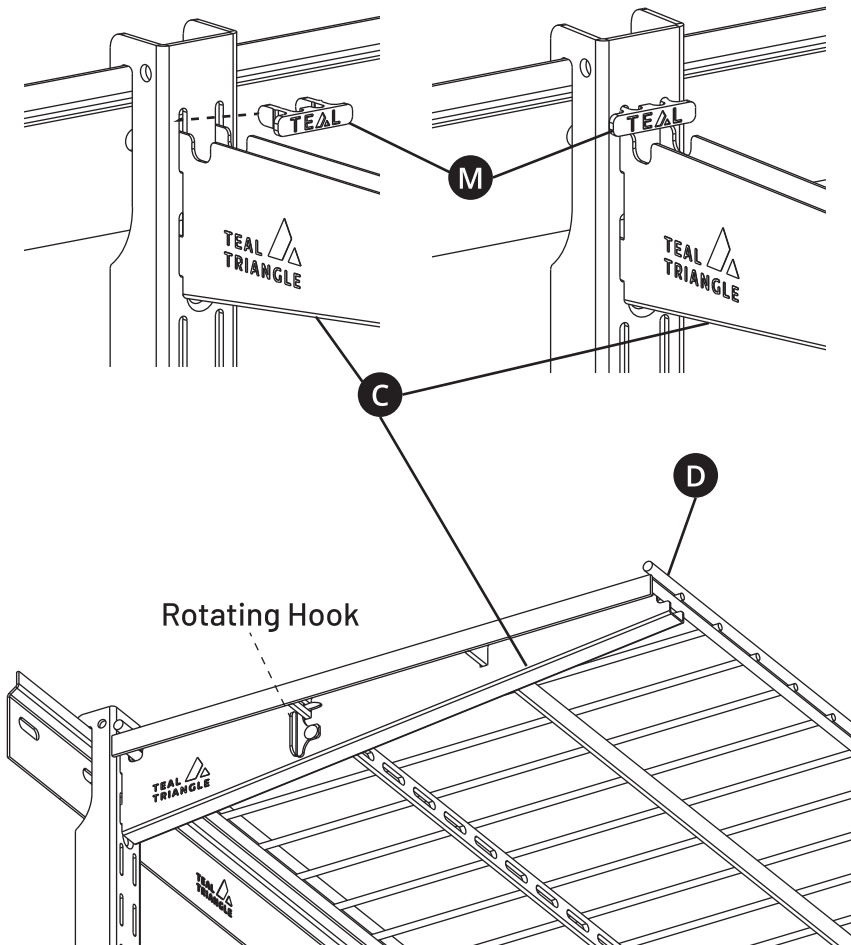
5

Connect all attachments - Shelves (D), Shelf Brackets (C), Bar Brackets (F), Attachments Bars (E), Attachments (H), etc. and lock them in place with the Plastic Lock Clips (M), Quick Release Pins (O), and Shelf Lock on the Shelf Bracket (C). The Bar Bracket (F) slides over the ends of the Attachment Bar (E) and then onto the Vertical Track (A).

Shelves can share a bracket in the middle or have the brackets anywhere between the ends

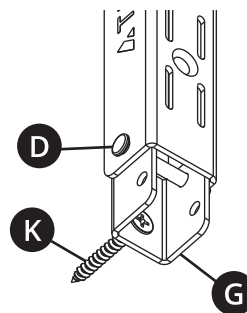
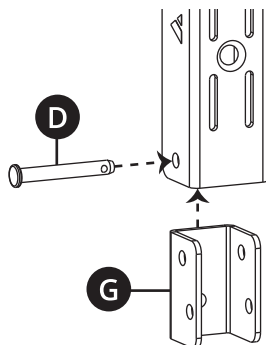
## Notes

Lock the last hole on the end of the Attachment Rail in the middle of the Rail Bracket with a Quick Release Pin. We recommend doing this with the Attachment rail overhanging the outside of the system and not interfering with the other attachments, but use it however you want.



6

Use the Connector Pins (D) to attach the Vertical Connectors (G) to the Vertical Tracks (B) and mark the mounting hole location in line with the studs. Use a 3/32" (2.5mm) drill bit to drill pilot holes and use the Small Screws (K) to attach the Vertical Connectors to the wall.



7

Adjust all attachments as needed for your stuff