

**NOTE:** This product must be mounted to studs in order to achieve the advertised weight limit

6

Remove the Horizontal Track (B) along with the right Wall Bracket (A). Use a 3/32" (2.5mm) drill bit to create pilot holes in the marked locations.

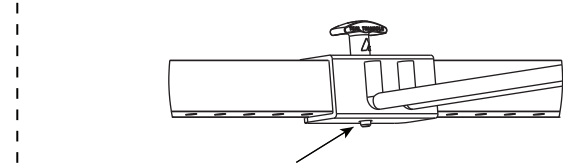
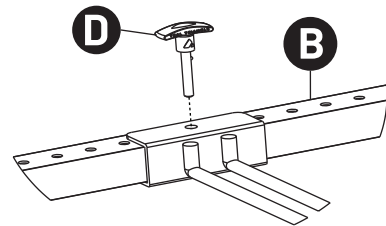
7

Slide the Horizontal Track (B) along with the right Wall Bracket (A) back into place as seen in step 5. Repeat step 4 to fasten the right Wall Bracket (A) to the wall.

8

Center the Horizontal Track (B) to the Wall Brackets (A) (roughly 6" past the end of each Wall Bracket).

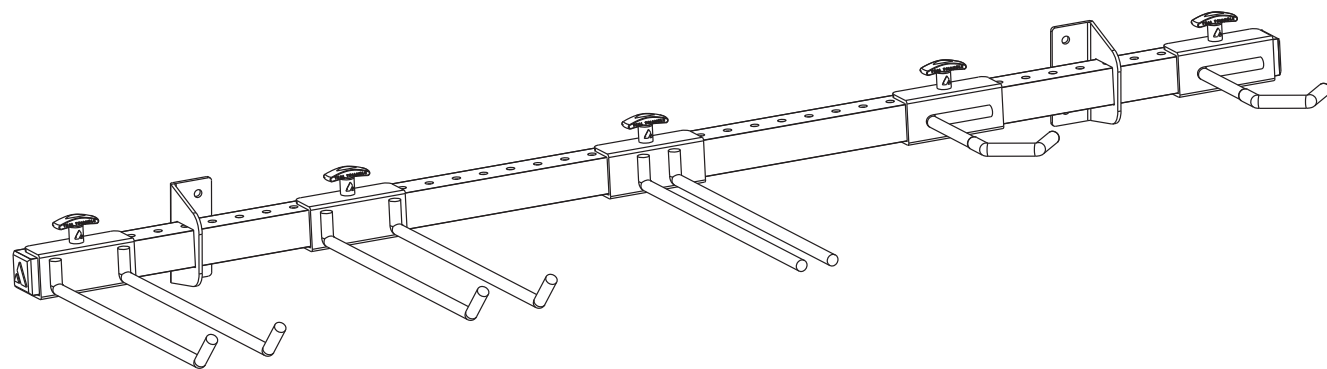
9



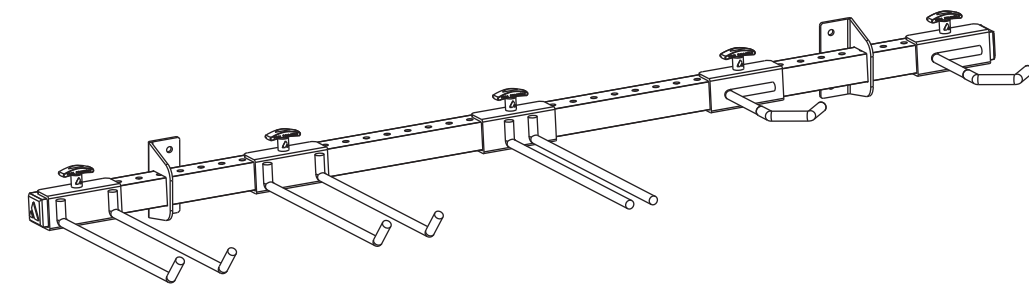
Notice: You should be able to see the QuickRelease Pin (D) pass through the bottom

Add attachments as desired by aligning the through hole on the attachment with the through hole on the Horizontal Track (B) and insert a Quick Release Pin (D). Ensure the pin extends through both sides of the attachment mount. Reference the example above.

10



Continue to add attachments as desired. Keep in mind the spacing needed for hanging specific tools



## INSTALLATION GUIDE G-SYSTEM RACK



SCAN THIS QR CODE FOR  
THE FULL INSTALL VIDEO.  
or visit [tealtriangle.com](https://tealtriangle.com)

# **IMPORTANT INFORMATION**

---

G-System Rack

Manufactured for Spire LLC by Tellbe in Vietnam

Quantity: 1

**WARNING! G-System Rack is NOT intended for use by any person under the age of 18 years old. You must be over the age of 18 to install or use G-System Rack.**

**WARNING! Strictly follow all instructions to avoid an accident, damage to property, personal injury or death.**

**WARNING! Do not use this product for human suspension. Components can fail causing person to fall, possibly resulting in serious injury or death.**

**WARNING! When operating system, make sure the area below object is clear of persons. If object comes down too quickly, this can cause an accident.**

## **READ THE ENTIRE USER MANUAL BEFORE INSTALLATION**

The User Manual you received with your G-System Rack provides instructions on how to install and use your G-System Rack. The instructions are written for a person with a basic understanding of tools and procedures. Read the entire manual before proceeding. If you do not understand any portion of the instructions, do not attempt installation, and call 1-877-880-5934.

## **CORRECTLY INSTALL THE PRODUCT**

Read and follow all instructions carefully.

Failure to properly install and use the G-System Rack could allow the product to detach from the wall, injuring persons or personal property in the process. Accordingly, it is critical that the G-System Rack be installed correctly and according to the instructions in the User Manual.

## **USE TOOLS SAFELY**

The procedures in the User Manual may require climbing ladders and/or operating power tools. Make sure you are familiar with these tools and their safety procedures before attempting to use such tools during installation. Always be aware of electrical wires during installation. Failure to do so could result in an electrical shock or death.

## **WARNING!**

Contact with wires can give you a severe electrical shock, which may cause injury or death. If you do not know where wires are, have the work done by an experienced professional.

# **IMPORTANT INFORMATION**

---

## **CAUTION**

It is the consumer's responsibility to install this system in accordance with all codes, ordinances, and local regulations.

When installing the G-System Rack, it is the consumer's responsibility to ensure the structural integrity of the structure it is being mounted to.

The G-System Rack is intended for the storage of sporting equipment and household tools only.

This system has a maximum capacity of 300 lbs. Overloading the system could result in damage to property or injury.

Use extreme caution when loading and unloading sportings equipment and household tools from this system.

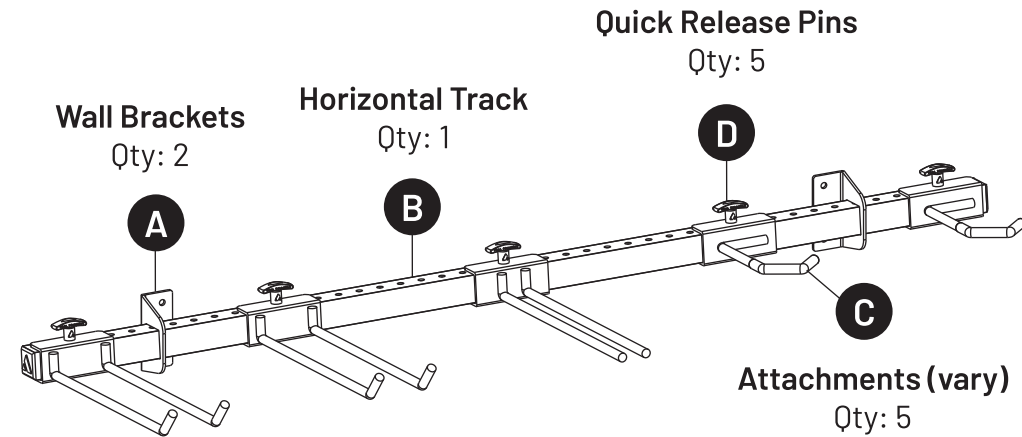
It is the consumer's responsibility to ensure that the system is in proper working condition before loading objects onto the system. Check tightness of all bolts and screws periodically. Failure to properly maintain the system could result in damage to property or injury.

## **WARNING AND DISCLAIMER**

Spire LLC (d/b/a Teal Triangle) expressly disclaims any and all liability for personal injury, property damage or loss, whether direct, indirect, incidental, resulting from the incorrect mounting, improper use, inadequate maintenance, or neglect of this system.

# INSTALLATION

**NOTE:** Attachments and placement vary per customer order.



## INCLUDED HARDWARE:



## RECOMMENDED TOOLS:

Drill/driver  
Drill bits  
Socket wrench w/ extension  
Level  
Tape measure  
Pencil  
Stud finder

## WEIGHT LIMITS:

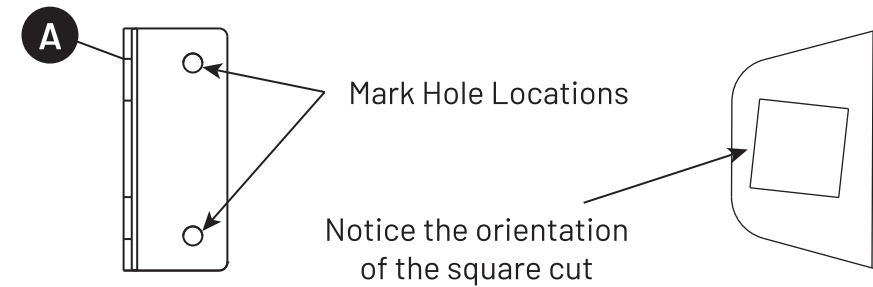
50 lbs. max per attachment  
300 lbs. max total

**NOTE:** This product must be mounted to studs in order to achieve the advertised weight limit

1

Use a stud finder to locate two studs about 32" apart where you want to mount the product. Use a pencil to mark their location.

2



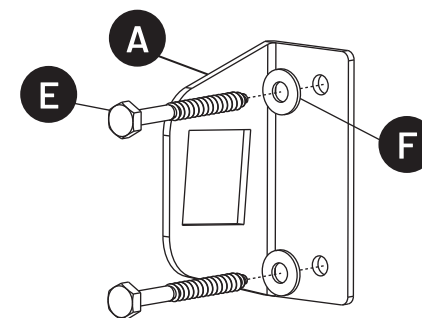
Align the mounting holes on the left Wall Bracket (A) with the previously marked wall stud. Make sure it is at a desired height and use a level to ensure the mounting holes are straight up and down.

With the Wall Bracket (A) positioned correctly, mark both mounting holes with a pencil. Reference the picture above for the correct orientation.

3

Move the Wall Bracket (A) out of the way, use a 3/32" (2.5mm) drill bit to create pilot holes in the marked locations

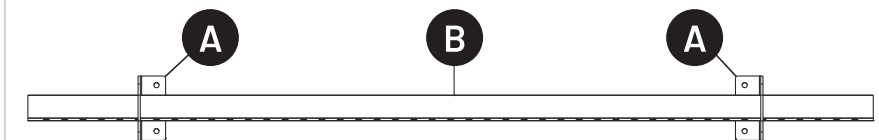
4



Mount the Wall Bracket (A) to the wall using the provided Wall Mount Screws (E) and Washers (F).

Ensure the Wall Bracket (A) is firmly secured.

5



Slide the right Wall Bracket (A) onto the Horizontal Track (B). Then slide the Horizontal Track (B) into the mounted Wall Bracket (A). Align the mounting holes of the right Wall Bracket (A) with the second marked stud.

Use a level to ensure the system sits flat. Use a pencil to mark the mounting holes. Reference the picture above for the correct orientation.