

"The DockSider"TM

Patented

Assembly, Installation, Setup, and Operating Instruction



- Tool Free Dock Mount Models; Series 200 -

- Holds Kayaks up to 100 pounds.
- For Docks with Wood, Composite Wood, and Aluminum Decking Only.
- Must have Dock side boards less than 7 1/2 inches. Truss Docks 10 inches.
- Designed for standard dock decking thickness of 1 inch.
- The underside of your dock Must be accessible.

**Some
Assembly
Required**

A Kayak Storage Rack for Your Dock

Model DS200 – Dockside Operation

- Operates from the Dockside Only.
- Holds your Kayak 5 to 9 inches below the dock surface.
- Accommodates Freeboard (Dock Surface to Water Level) height up to 30 inches.

Model WS200 – Waterside Operation

- Operates from the Waterside Only.
- Holds your Kayak 5 to 17 inches below the dock surface.
- Accommodates Freeboard (Dock Surface to Water Level) height up to 36 inches.

Please read these instructions carefully before using this product and save this manual for future use.

For assistance, please call: 585 – 734 – 7374
Or send email to: info@DockCraft.com

**DockCraft Industries LLCSM
3694 Nibawauka Beach
Canandaigua, New York 14424**

Table of Contents

	Page
“The DockSider”™	
○ Safeguards	2
○ Warranty	3
○ Part List	3
○ Assembly Instructions	4
○ Installation	
- DS 200 and WS 200	5
○ Setup	7
○ Operation	9

IMPORTANT SAFEGUARDS

1. **READ ALL INSTRUCTIONS BEFORE USING THE “The DockSider”™.**
2. The intended use of the product is to store a kayak on the side of a boat dock. Do not use this product for other than its intended use.
3. The maximum weight of Kayak to be racked in “The DockSider”™ shall not exceed 100 pounds.
4. “The DockSider”™ is not intended for Salt Water applications; exception is the stainless steel model.
5. Kayaks **should not** contain more than one quarter inch (1/4”) of water inside when storing in the “The DockSider”™. Product Damage could result to the “The DockSider”™ if this is not followed and the Warranty will be voided. If your Kayak contains excess amounts of water (capsized or other), roll kayak over to empty.
6. To ensure proper use, do not attempt to modify this product in any manner. Please refer to the manual if questions arise.
7. If further assistance is needed, please contact DockCraft Industries prior to use of this product.
8. Do not allow children or adults to play on, around, or with the “The DockSider”™ while a kayak is loaded or unloaded. Serious injury and damage to product, docks, and people could result if this warning is not followed.
9. Store only one kayak per “The DockSider”™.
10. If the DockSider is not working properly, please contact DockCraft Industries immediately for assistance.
11. Do not enter or exit your Kayak when your kayak is engaged within “The DockSider” ; in the loading or storage position.
12. Do not install your Kayak Storage Rack such that “The DockSider” is near or in contact with any electrical or Dock Structural components.

Limited Warranty

What does your warranty cover?

- Any defect in materials or workmanship when used for the intended purpose of storing kayaks on the side of a boat dock under normal use and conditions.
- The warranty is limited to the original purchaser.

For how long after the original purchase?

- One year

What will we do?

- Provide you with a replacement part at no charge for any part found defective in materials or workmanship.

How do you make a warranty claim?

- Please contact DockCraft Industries for a Return Material Authorization (RMA) number before returning items. A shipping address will be provided at that time.

What does your warranty not cover?

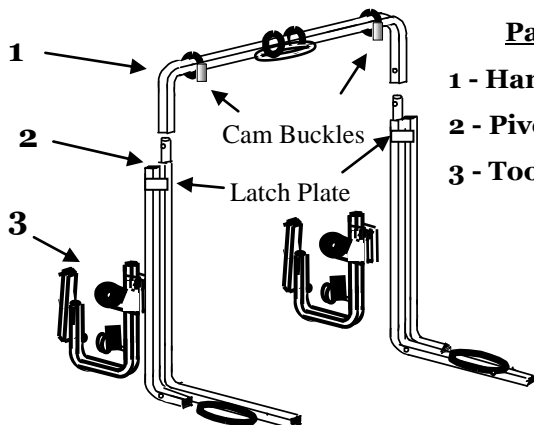
- Damage from failures that occur as a result of improper assembly, failure to properly adjust and operate, misuse or neglect of product's intended purpose.
- Product which has been modified in any manner.
- Safeguards are not followed
- The warranty is not valid if you are not the original purchaser.

"The DockSider"TM PARTS LIST – **Tool Free Dock Mount Models; Series 200**

Remove all parts from the box and remove the dock mount from the pivot lateral by unwrapping the security strap.

If any parts are missing from the package (in type or quantity), do not assemble and contact DockCraft Industries immediately.

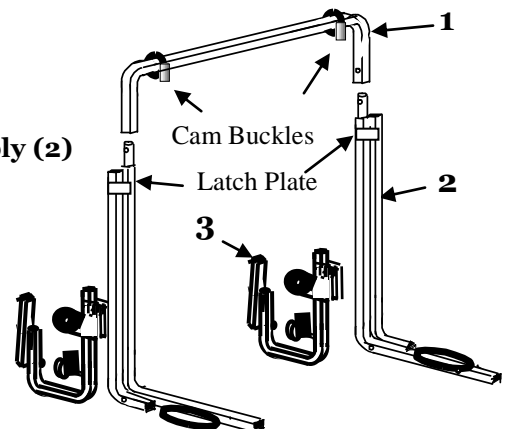
Model DS200 – **Dockside Operation**



Parts Diagram

- 1 - Handle Assembly (1)
- 2 - Pivot Lateral Cradle Assembly (2)
- 3 - Tool Free Dock Mount (2)

Model WS200 - **Waterside Operation**



Assembly Instructions

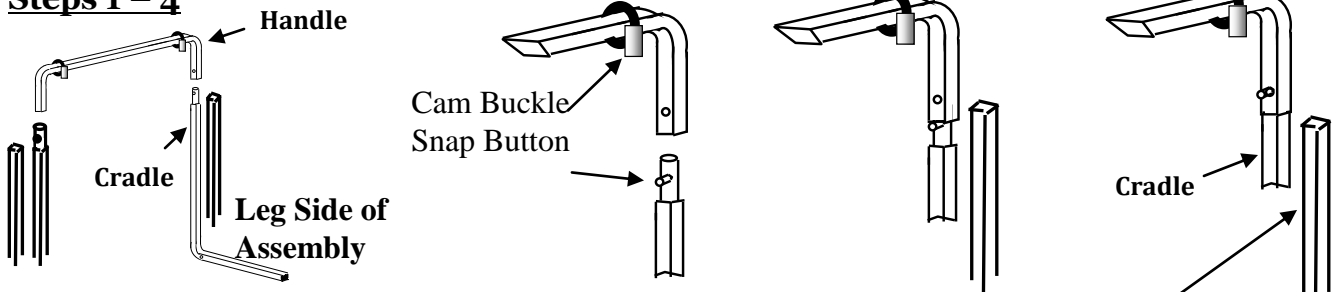
Attach Cradle Handle :

- 1 – Position Handle over Pivot Lateral Cradle Assembly.
- 2 - Depress Snap Button on Pivot Lateral Cradle Assembly.
- 3 - Slide the Handle extension over tube and Snap Button.

Note: Cam Buckle Lever should be upward on the leg side of the Pivot Lateral Cradle Assembly

- 4 – Seat Handle until Snap Button pops through the Handle hole.
- 5 – Repeat process for the other Pivot Lateral Cradle Assembly

Steps 1 – 4

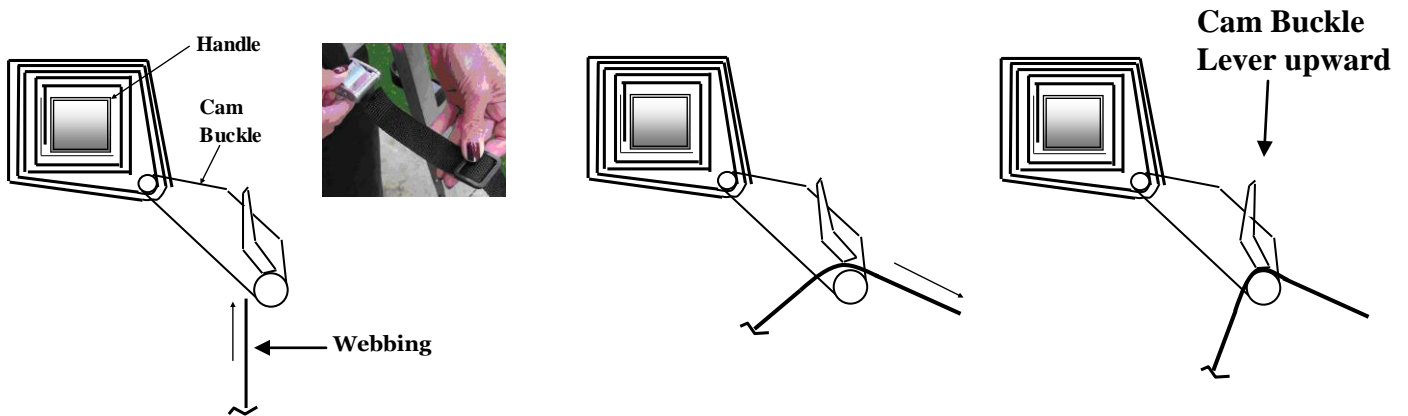


Note:
Pivot Lateral is on the outside on both sides

Thread Webbing through Cam Buckle :

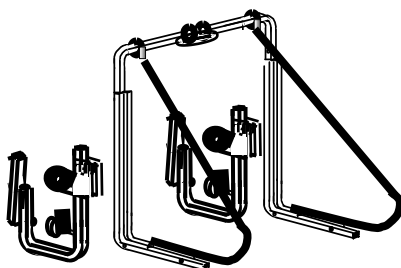
- 6 – Obtain one of the Cam Buckles and Depress Lever
- 7 – Thread Webbing through opening in the Cam Buckle
Ensure that the Single Bar on the Web Keeper is positioned as shown.
- 8 – Pull webbing through the Cam Buckle until the pre-marked line is in position with the cam buckle.
- 9 – Repeat Steps 6 – 8 to thread the webbing through the other Cam Buckle

Steps 6 - 8



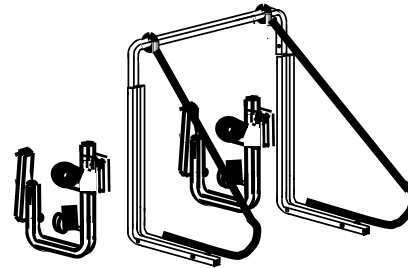
Completed Assemblies

Dockside Operation Model – DS200



Leg Side of Assembly

Waterside Operation Model – WS200

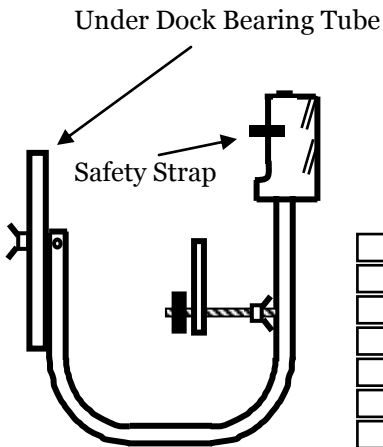


Leg Side of Assembly

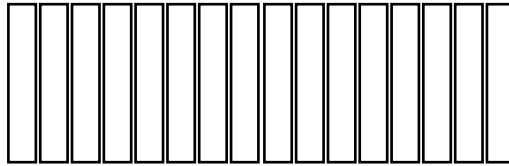
Installation Procedure for Your - Series 200 Docksider

Setup of the Series 200 Tool Free Dock Mount

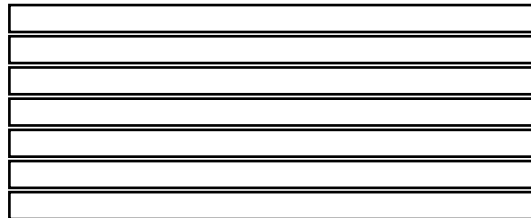
For Aluminum Decking



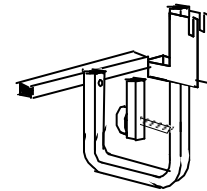
The Dock Mount as it comes out of the box.



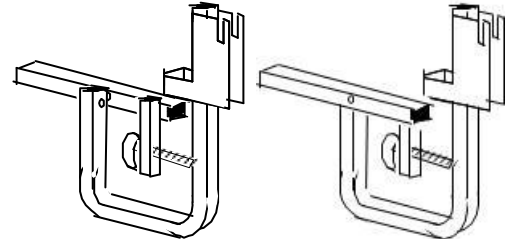
For Decking running across the dock



For Decking running the length of the dock



Rotate the Under Dock Bearing Tube Horizontal and tighten wing nut.



Have 2 mounts mirror image of each other

Unscrew the wing nut

Remove the Under Dock Bearing tube

Remove the screw

Insert the screw through one side hole

Insert the Under Dock Bearing tube

On the on the other side, horizontally

Secure by tighten the Wing Nut

For Docks with Wood Decking

- Follow the procedure for Aluminum Decking running the length of the dock.
- If under dock obstacles are incurred, Install Under Dock Bearing Tube Per Aluminum Decking running across the dock.

Series 200 – Tool Free Dock Mount Installation

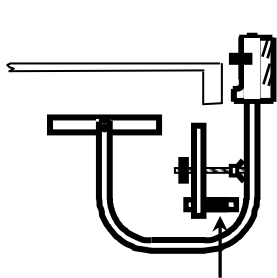
- 1 - Select a position on your dock where you choose to mount your Kayak Storage Rack. Ensure there are not any electrical or structural components in the area.
- 2 - The Docksider should be mounted on 1 section of your dock.
- 3 - Make sure the wood on your dock is solid (not cracked or rotting) at the installation position.
- 4 - Ensure there are no obstructions above or below your dock.
- 5 - Place one Dock Mount on your Dock and position as shown below
- 6 - Install

Under Dock Obstructions



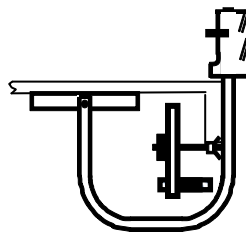
Under Dock Decking Support

Dock Stacking Block



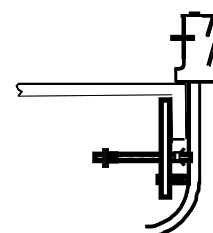
For Truss type docks remove torque spacer and screw.

Position Dock Mount



Lift Dock Mount Up and slide to the Left

For Truss type docks - Lift up, pull out, twist dock mount to insert the dock clamp between diagonal supports, then straighten and slide to the left

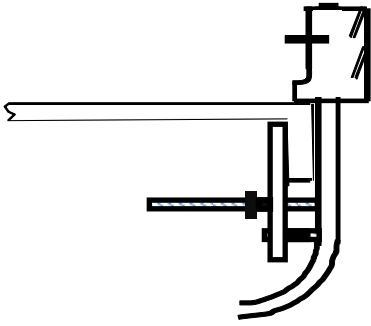


Pinch Dock Clamp against back side of Dock side board.

Assure that the extended screw is engaged in the hole on the back side of the vertical tube.

Installation – Continued

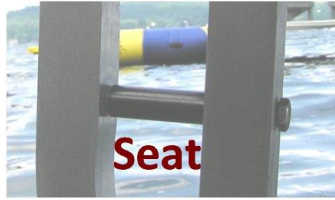
For Solid Sideboard Docks



Tighten Hand Knob to secure Dock Mount.

Push/pull top of Dock Mount ensuring little movement.

If needed, further tighten the hand knob.

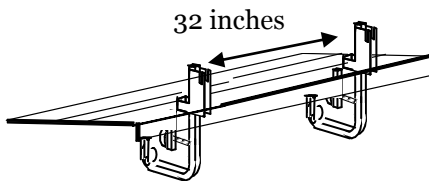


Truss type dock with Dock Clamp oriented vertically.

Dock Clamp may be vertical or horizontal (if the dock clamp spans the diagonal supports.)

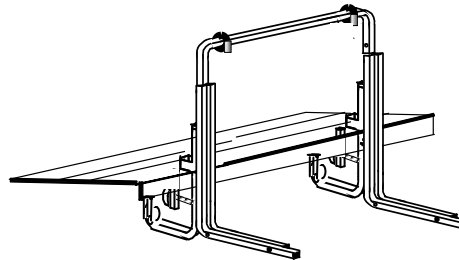


7 - Mount the second Dock Mount to the Dock



Align the 2nd Dock Mount
Approx 32 in. from the first

Do not tighten



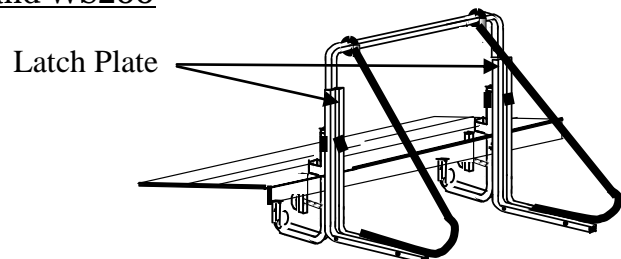
Adjust the “loose” Dock Mount sideways to align
Engage the lower pins (head of cotter pin on one side of bracket retaining pin on the other side) on the Cradle Pivot Laterals to the top slot of both Dock Mounts and seat.

Per Step #6

Tighten the Hand Knob on the Dock Mount to secure.

8 – Rotate the Latch Plates to prevent the Cradle from rotating into the water.

DS200 and WS200



Tightly Wrap Safety Strap around Pivot Lateral and Dock Mount Only; Leaving Cradle to rotate

Installation is Complete and you are now ready for the Final Adjustments **SETUP of "The DockSider"™**

Now that the installation is complete, it is now time to SETUP your Kayak Rack to "fit" your Kayak.

Kayak Storage Rack to Water Level Adjustment:

- 1 – As a result of the installation procedure, the top of the Cradle (the tube protruding the furthest from your dock) should be approximately 5 inches below the top surface of your dock.
- 2 - If the distance between the top of your dock to the water is between 10 and 22 inches; then "tightly" wrap the security straps around the dock mount and the pivot lateral leaving the cradle free to rotate. Check to insure the hand knobs are securely tightened.
- 3 - If the distance between the top of your dock to the water is between 22 and 29 inches; then engage the pin on the pivot lateral in the lower slot of the dock mount. Then "tightly" wrap the security straps around the dock mount and the pivot lateral leaving the cradle free to rotate. Check to insure the hand knobs are securely tightened.

Notes:

- If your Water Level Adjustment is setup per step 2 and your water level lowers creating a difficult fit of your kayak when loading, readjust this adjustment per step #3.
- For Waterside models, remove retaining clip pull pin and reinsert in upper hole and reinsert retaining pin for water to dock height greater than 30 inches.

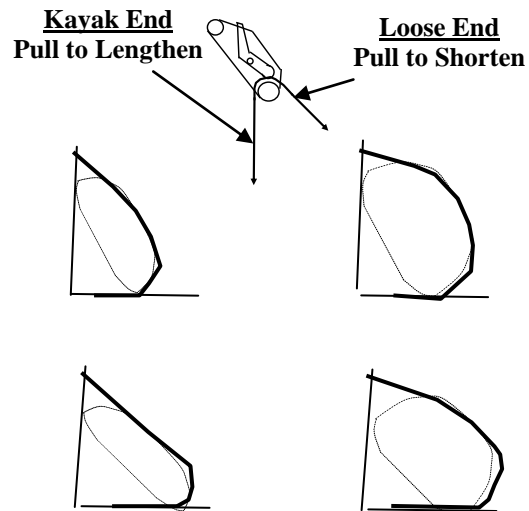
Webbing Length Adjustment :

As a result of the assembly procedure, the mark / tape on the webbing should be located at the cam buckle.

This setting is a nominal setting for kayakers with a width of 27 to 29 inches. Based on the width and contour of your kayak, this setting may vary.

This setting is for 2 purposes:

- 1 – To accommodate the size and contour of your Kayak
- 2 – To allow your Kayak to sit at an angle to minimize rain entering the Kayak and therefore collect in the cockpit



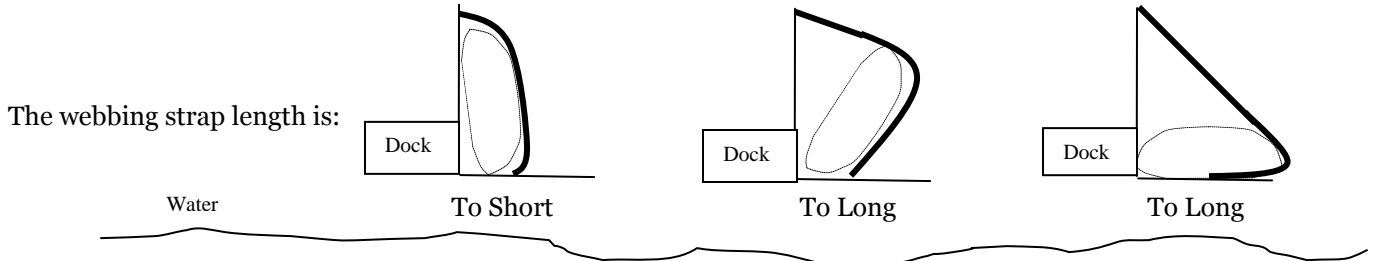
- 3 – Load your Kayak into your rack and rotate to the Kayak Storage Position by:
 - a: Rotating the Cradle toward the water such that the handle is parallel with the water. With the Dockside Operation model do this using the tether strap. With the Waterside Operation model do this by standing in the water and centered on your rack, grasping the handle and rotating toward you.
 - b: Floating your kayak into the rack (between the handle and the webbing) such that the front of the cockpit seat is centered in the cradle.
 - c: Lift your kayak just out of the water. If your kayak wants to lean to the right or left, check the straps to see if there is an excessive amount of strap on the side that's leaning, if so shorten. Also you may want to adjust the position of the kayak in the rack. If the lean is to the left, reposition the kayak slightly to the right to have the center of gravity positioned between the straps. Reposition the kayak to the left if the lean is to

the right. By holding the handle with both hands, you can “Feel” if there is more weight on one side versus the other. Remember this positioning for normal operation.

Setup – Webbing Length Adjustment – continued

- d: Grasp the center of the cradle or use tether strap and SLOWLY rotate the handle to the Cradle / Kayak storage position. Rotate SLOWLY, to understand the “feel” of the lift when your kayak rotates toward the Dock. As the Kayak starts to rotate, grasp the top of your Kayak and guide to its storage position. On the Dockside Operation model, rotate Latch Plates (both sides) into position to maintain the position of the Kayak and Rack.

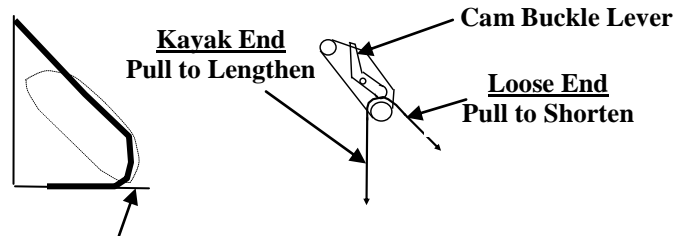
If your Kayak in it’s storage position looks like



Note: If the dock surface to water height is between 10 and 15 inches, the figure above on the left maybe the best that can be achieved with the contour of your kayak.

To adjust the Length of the webbing straps:

Depress Cam Buckle lever and pull in the direction shown



The ideal storage position should look like:

Never adjust such that the bottom of your Kayak is closer than 2 inches to the end of the cradle.

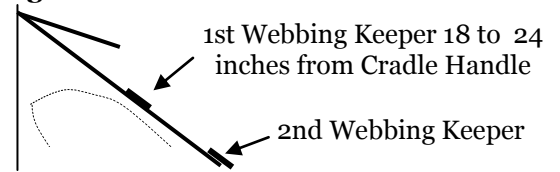
Note: the closer the kayak is to the end of the cradle, the greater the reach of operation.

Suggestion: If the Webbing length is to short, lengthen significantly.

Manually, position your kayak at the desired angle, and then tighten straps by shortening.

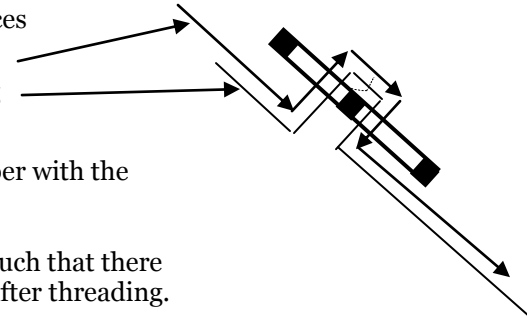
Now that the webbing length is set, Secure Loose end of webbing length as follows:

Position the 1st Webbing Keeper approximately 18 to 24 inches down from the cradle handle; on each web strap.



Thread the loose end of webbing through Webbing Keeper (2 places

Cam Buckle Loose End of Webbing
Cam Buckle Kayak End of Webbing



Note:

It is much easier to thread the webbing through the webbing keeper with the Kayak out of the Kayak Rack.

Reposition the 2nd webbing keeper and thread, similar to above, such that there is 1 to 3 inches of webbing extended beyond the webbing keeper after threading.

Reload your Kayak , and rotate your kayak into its storage position.

You may place your Paddle in the loop between the handle and the 1st webbing keeper.

The Setup of **"The DockSider"**TM is now Complete.
Operating Instructions

To UNLOAD: Note, if your paddle is stored in your Kayak Rack, remove your paddle first and set aside.

Dockside Operating Models

- 1 - Before unloading, check to Ensure that there are no objects or people in the path of the kayak when rotated toward the water.
- 2 - Standing on the Dock, grasp the tether cord in one hand and then grasp the center of the handle.
- 3 - Rotate the Latch Plates on both Pivot Laterals 90 degrees counterclockwise. Note: Securely hold the handle as the Latch Plates are rotated out of the way, the weight of the Kayak will cause the Kayak Rack to want to rotate toward the water.
- 4 - Firmly holding the tether cord, slowly lower the kayak into the water, by releasing (hand over hand) the length of the tether cord until your kayak is in the water.
- 5 - Secure the end of the tether cord that is left in your hand around one of the pivot laterals such that you may float your kayak out of the rack.
- 6 - Float your kayak completely out of the rack and then pull on the tether cord, to lift the cradle back into the storage position.
- 7 - Rotate one of the Latch Plates back into its holding position such that the cradle will not rotate back into the water when released.
- 8 - Enter your Kayak ensuring you are clear of the rack, Grab your paddle and start your voyage.

Waterside Operating Models

- 1 - Use caution when lowering your kayak as your kayak will be rotating to the water toward you. Ensure you are physically fit to manage the weight of lowering your kayak and that there are not any obstacles in the water that would cause you to trip.
- 2 - Stand in the water and center yourself with the length of the kayak rack.
- 3 - Release the Latch Plates by rotating both 90 degrees clockwise.
- 4 - Grasp the center of the cradle handle with both hands and slowly lower your kayak into the water.
- 5 - Float your kayak completely out of the rack and rotate the cradle back into its storage position.
- 6 - Rotate one of the Latch Plates back into position such that the cradle will not Rotate back toward the water.
- 7 - Enter your kayak ensuring you are clear of the rack, grab your paddle and start your voyage

To Load and Store:

Dockside Operating Models

- 1 - Exit your kayak assuring you are clear of kayak rack.
- 2 - Release the Latch Plates and lower the cradle.
- 3 - Secure tether strap to the Pivot Lateral such that your kayak will float into your rack between the handle and the lifting webbing.

Waterside Operating Models

- 1 - Exit your kayak assuring you are clear of the the kayak rack.
- 2 - Release the Latch Plates and lower the cradle.
- 3 - Position the cradle such that your kayak will float into your rack between the handle and the lifting webbing.

- | | |
|--|---|
| <p>4 - Float your kayak into the rack and position as determined in step 3c of the webbing length adjustment (page 7).</p> <p>5 - Grasp the tether strap and slowly lift / rotate your kayak and rack into its storage position.</p> <p>6 - Grasp the handle of your rack, holding it in its storage position.</p> <p>7 - Rotate the Latch Plates into position such that your kayak will not rotate back into the water.</p> <p>8 - Release your hand from the cradle handle and secure the tether cord to a pivot lateral or the handle with a simple overhand knot.</p> <p>9 - If you choose, store your paddle between the webbing under the cam buckle.</p> | <p>4 - Float your kayak into the rack and position as determined in step 3c of the webbing length adjustment (page 7).</p> <p>5 - Grasp the center of the handle and slowly lift / rotate your kayak into its storage position.</p> <p>6 - Rotate the Latch Plates into position such that your kayak does not accidentally rotate back into the water.</p> <p>7 - If you choose, store your paddle between the webbing under the cam buckle.</p> |
|--|---|

You're DONE - just Load / Latch / and walk away!



WE SINCERELY HOPE YOU ENJOY THE CONVIENIENCE OF

“The DockSider”™

For assistance, please call: 585 – 734 – 7374
 Or send email to: info@DockCraft.com

DockCraft Industries LLC SM
3694 Nibawauka Beach
Canandaigua, New York 14424
www.DockCraft.com