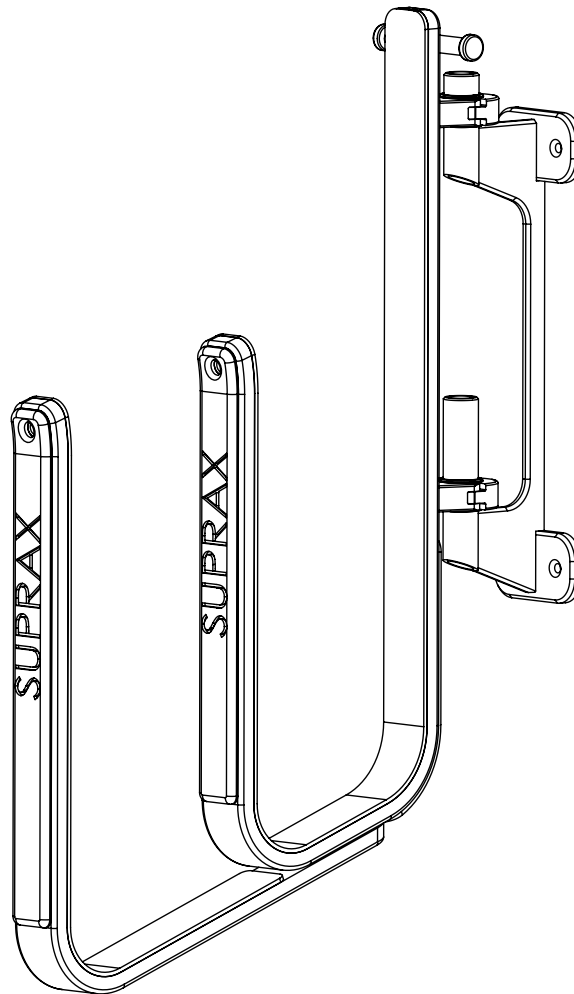




SUPRAX

Stand Up Paddleboard Boat Storage Rack

INSTALLATION GUIDE

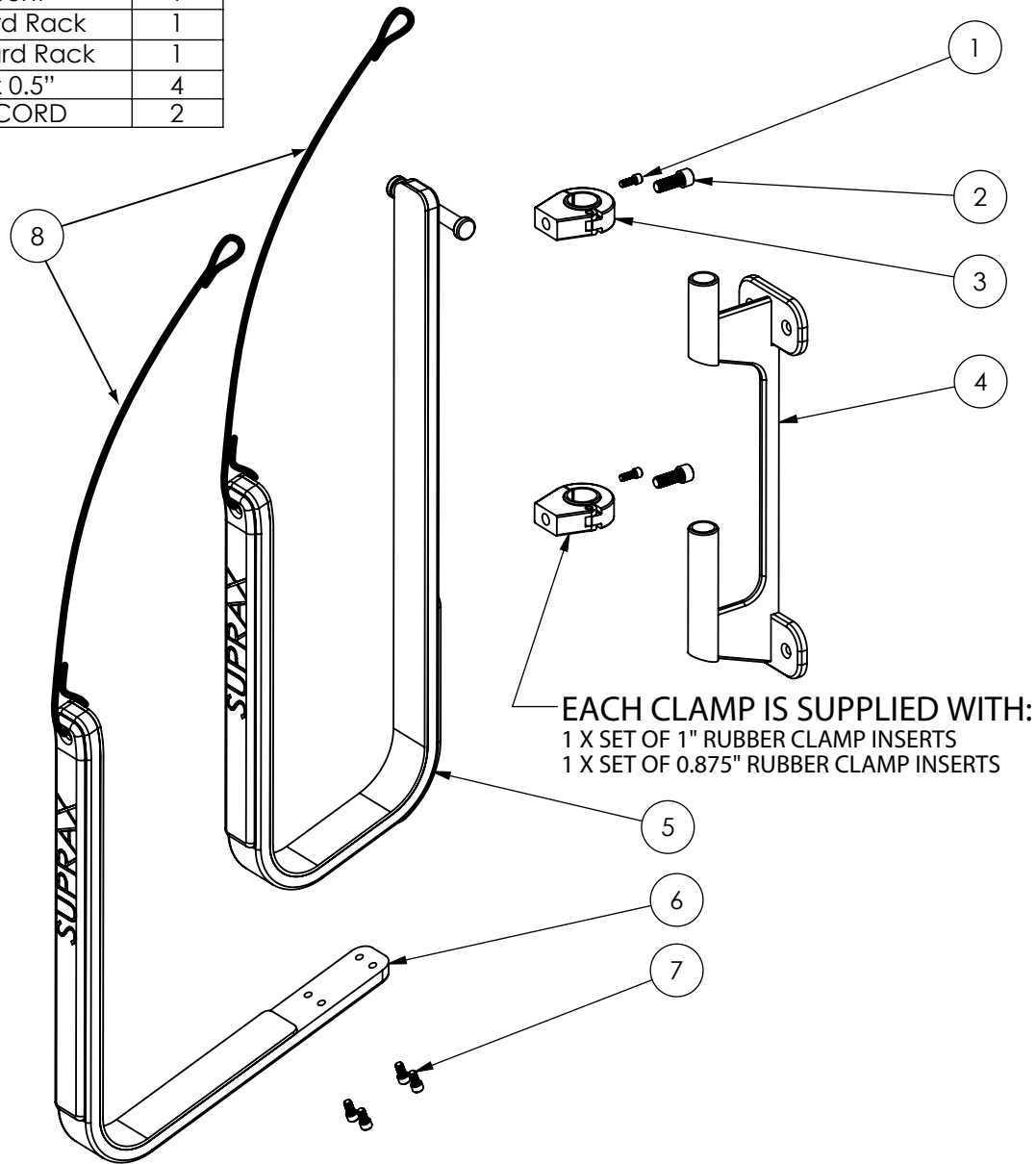




SUPRAX

Stand Up Paddleboard Boat Storage Rack

ITEM NO.	CODE	QTY. / RACK
1	0.250-20 x 0.625"	2
2	0.375-16 x 1"	2
3	Clamp	2
4	Wall Mount	1
5	Single Board Rack	1
6	Double Board Rack	1
7	0.25-20 x 0.5"	4
8	BUNGEE CORD	2

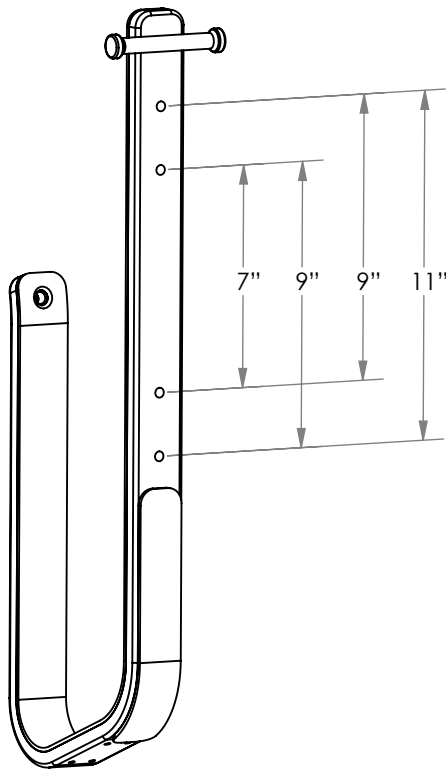




SUPRAX

Stand Up Paddleboard Boat Storage Rack

INSTALLING THE SINGLE BOARD RACK

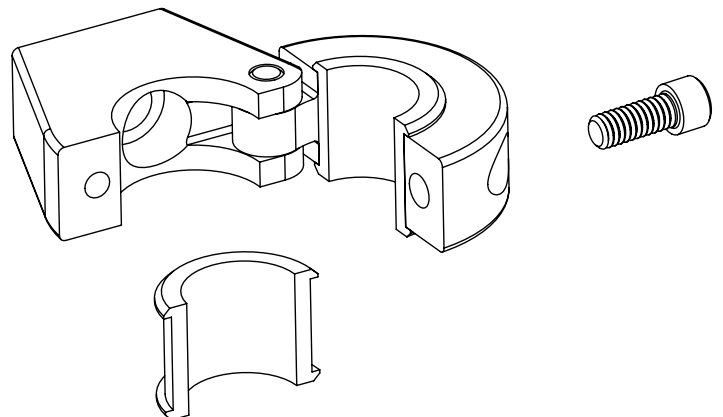


STEP 1

Identify the clamp spacing that best fits with the stanchion you'll be mounting the rack to.

STEP 2

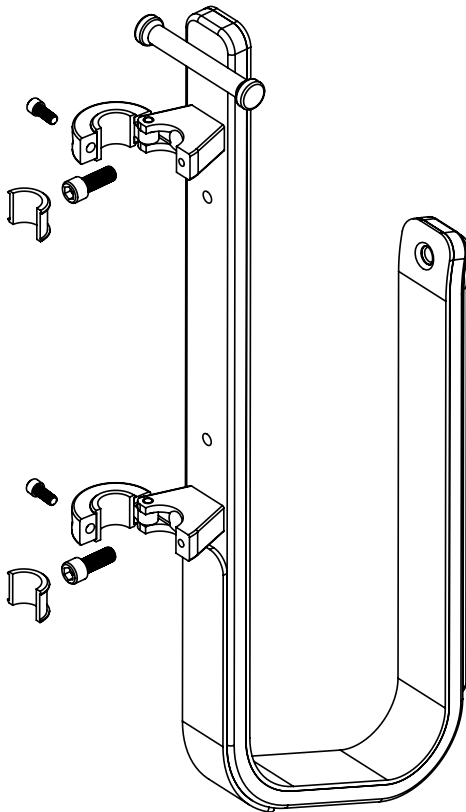
Open each clamp by removing the fastener. If the rubber insert covering the bolt hole in the bottom of the clamp is covered, this rubber insert will need to be removed.





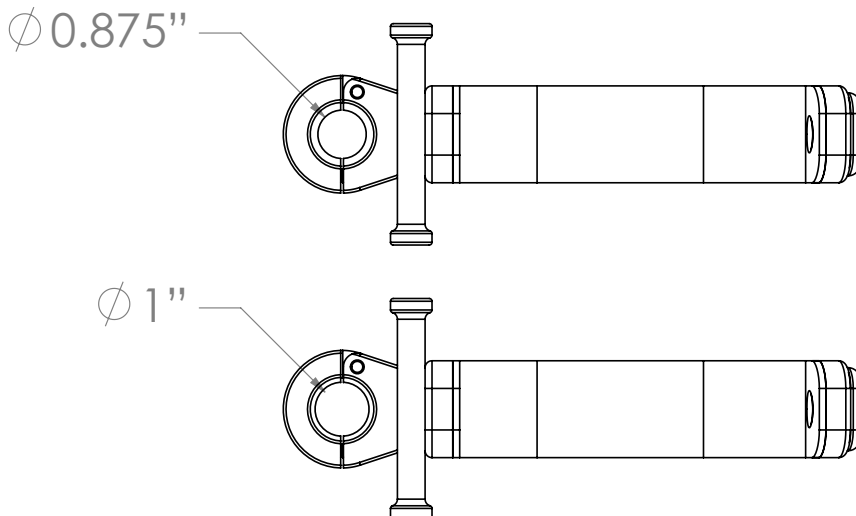
SUPRAX

Stand Up Paddleboard Boat Storage Rack



STEP 3

Using the 0.375" bolts, fasten the clamps in place.



STEP 4

Measure the diameter of the stanchion and select the appropriate rubber clamp insert to be used. Rubber clamp inserts help to protect from scratches and also provide a secure grip.

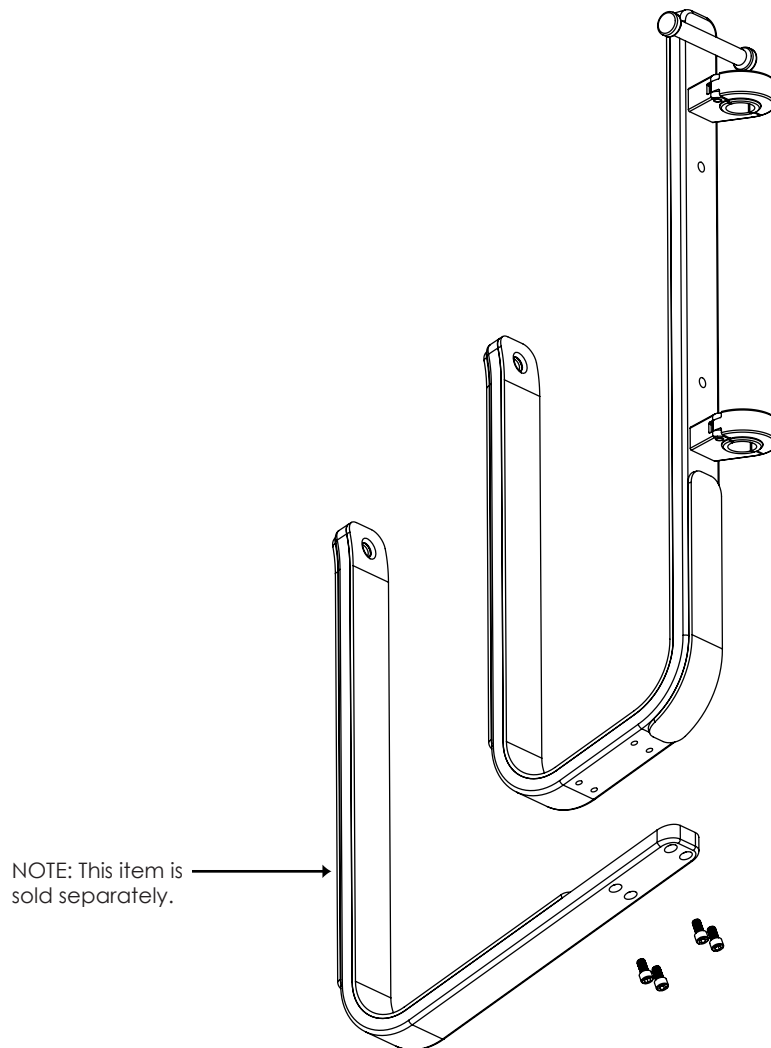


SUPRAX

Stand Up Paddleboard Boat Storage Rack

INSTALLING THE DOUBLE BOARD RACK

Using the 1/4" fasteners provided, attach the additional rack to turn the system into a double board rack.

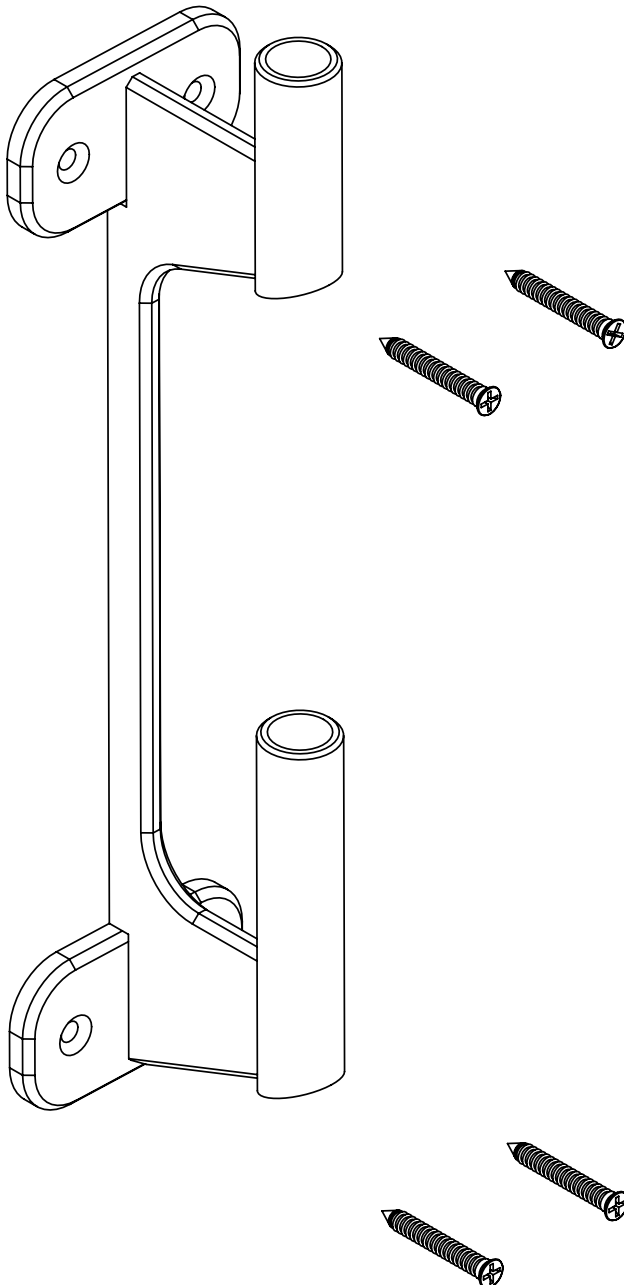




SUPRAX

Stand Up Paddleboard Boat Storage Rack

INSTALLING THE WALL MOUNT



STEP 1

If you have purchased the wall mount, it is **very important** to select the appropriate fasteners for the wall that you will be mounting the rack to. The structure of the wall as well as the fasteners must be strong enough to carry the weight of the rack when it is fully loaded with 2 SUP boards.

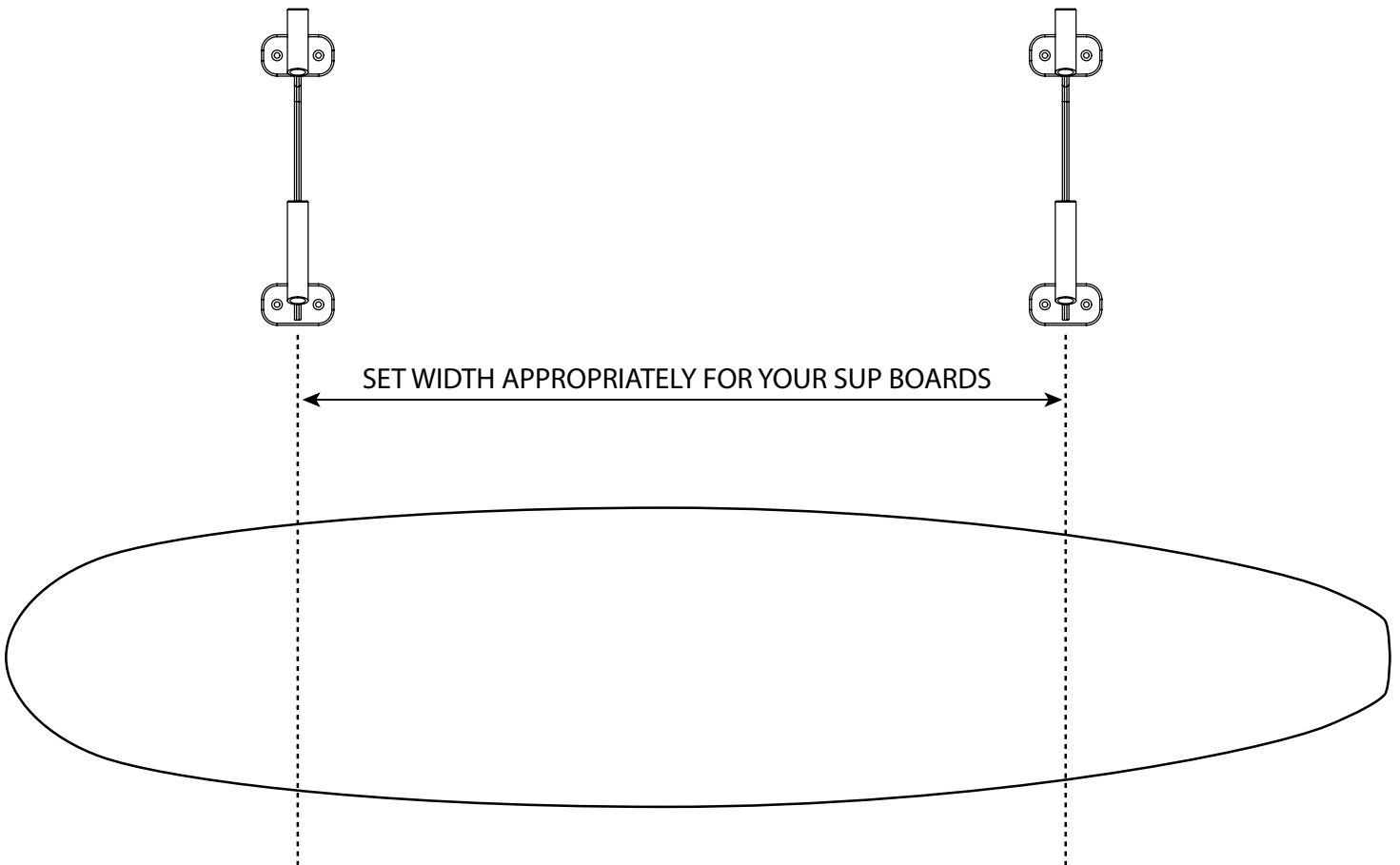


SUPRAX

Stand Up Paddleboard Boat Storage Rack

STEP 2

Space your wall mounts the appropriate width apart to fit with the length of your SUP boards.





SUPRAX

Stand Up Paddleboard Boat Storage Rack

STEP 3

To install the board rack on the wall mount, slightly loosen the clamps and slide the assembly over the wall mount pins.

Once in place, tighten the clamps so that they are securely fastened to the wall mount.

