

INSTALLATION GUIDE

SWIVEL BIKE

IMPORTANT INFORMATION

Wall Mounted Swivel Bike

Manufactured for Spire LLC by Tellbe in Vietnam

Quantity: 1

WARNING! The Swivel Bike Rack is NOT intended for use by any person under the age of 18 years old. You must be over the age of 18 to install or use the Swivel Bike Rack.

WARNING! Strictly follow all instructions to avoid an accident, damage to property, personal injury or death.

WARNING! Do not use this product for human suspension. Components can fail causing person to fall, possibly resulting in serious injury or death.

WARNING! When operating system, make sure the area below object is clear of persons. If object comes down too quickly, this can cause an accident.

READ THE ENTIRE USER MANUAL BEFORE INSTALLATION

The User Manual you received with your Swivel Bike Rack provides instructions on how to install and use your Swivel Bike Rack. The instructions are written for a person with a basic understanding of tools and procedures. Read the entire manual before proceeding. If you do not understand any portion of the instructions, do not attempt installation, and email info@storeyourboard.com.

CORRECTLY INSTALL THE PRODUCT

Read and follow all instructions carefully.

Failure to properly install and use the Swivel Bike Rack could allow the product to detach from the wall, injuring persons or personal property in the process. Accordingly, it is critical that the Swivel Bike Rack be installed correctly and according to the instructions in the User Manual.

USE TOOLS SAFELY

The procedures in the User Manual may require climbing ladders and/or operating power tools. Make sure you are familiar with these tools and their safety procedures before attempting to use such tools during installation. Always be aware of electrical wires during installation. Failure to do so could result in an electrical shock or death.

WARNING!

Contact with wires can give you a severe electrical shock, which may cause injury or death. If you do not know where wires are, have the work done by an experienced professional.

IMPORTANT INFORMATION

CAUTION

It is the consumer's responsibility to install this system in accordance with all codes, ordinances, and local regulations.

When installing the Swivel Bike Rack, it is the consumer's responsibility to ensure the structural integrity of the structure it is being mounted to.

The Swivel Bike Rack is intended for the storage of bikes only. Do not use it for any other purpose.

This system has a maximum capacity of 75 lbs. Overloading the system could result in damage to property or injury.

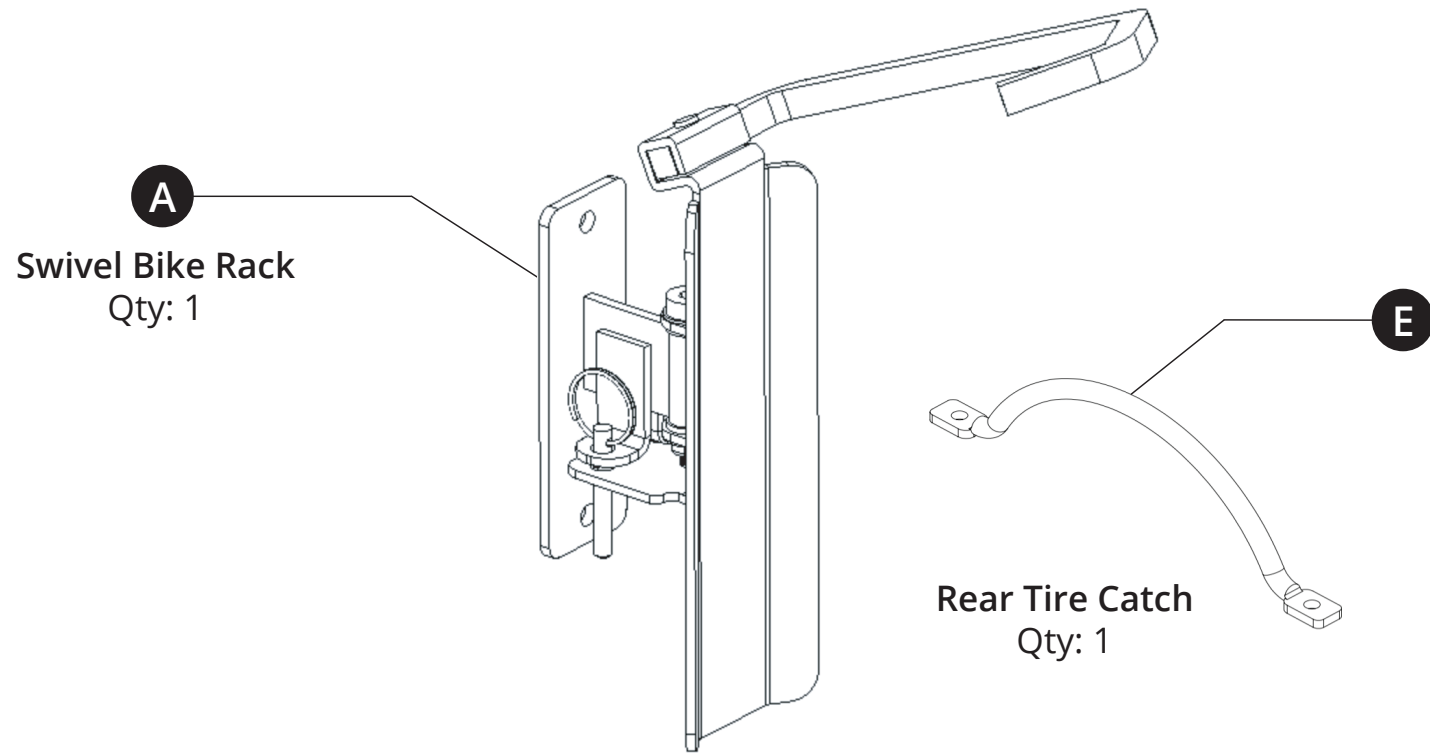
Use extreme caution when loading and unloading equipment from this system.

It is the consumer's responsibility to ensure that the system is in proper working condition before loading objects onto the system. Check tightness of all bolts and screws periodically. Failure to properly maintain the system could result in damage to property or injury.

WARNING AND DISCLAIMER

Spire LLC (d/b/a StoreYourBoard) expressly disclaims any and all liability for personal injury, property damage or loss, whether direct, indirect, incidental, resulting from the incorrect mounting, improper use, inadequate maintenance, or neglect of this system.

INSTALLATION



NOTE: The Swivel Bike Rack must be mounted to studs to achieve the advertised weight limit

- 1 Find a wall stud where you want to mount the product. Use a stud finder to determine the exact location of the stud and lightly mark it with a pencil. Measure the maximum length of your bicycle from tire to tire and subtract 3" from this length. Starting from the floor, use this length to get your top hole marking location.
- 2 Hold the rack up to the wall where you want to mount it and align the mounting holes with the stud location. Use a level to ensure the mounting holes are perpendicular with the floor and mark all mounting hole locations with a pencil.
- 3 Use a 3/16 inch (4.7mm) drill bit to drill pilot holes into the previously marked mounting hole locations.
- 4 A Machine Washer (C) should be used between the Swivel Bike Rack (A) and the Wall Screw (B) as shown in the figure below. Insert the Wall Screws (B) with Machine Washers (C) into the pilot holes to mount the rack.
- 5 The Quick Pin (D) should always be inserted into a hole when placing bicycle onto hook. Once bicycle is secure, Quick Pin (D) can be pulled allowing side-to-side swiveling. Re-insert Quick Pin (D) when you are satisfied with the placement.
- 6 Mount Rear Tire Catch (E) vertically so it's in line with the two holes on the Swivel Bike Rack. Rear tire should make contact with Rear Tire Catch (E) in roughly the middle of the tire. Pre-drill with a 1/8" drill bit before installing pan-head screws.

INCLUDED HARDWARE:



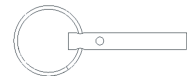
B

Wall Screws
Qty: 2



C

Machine Washers
Qty: 2



D

Quick Pin
Qty: 1

RECOMMENDED TOOLS:

Drill/Driver
Drill bits
Socket/Driver
Level
Tape measure
Pencil
Stud finder

WEIGHT LIMITS:

75 lbs. max

