

# INSTALLATION GUIDE

## ESSENTIAL HOIST



SCAN THIS QR CODE FOR  
THE FULL INSTALL VIDEO.

---

SCAN THIS QR CODE FOR  
EXTRA TIPS FOR INSTALLING  
THIS PRODUCT.



# **IMPORTANT INFORMATION**

---

Essential Hoist

Manufactured for Spire LLC by Tellbe in Vietnam

Quantity: 1

**WARNING! Essential Hoist is NOT intended for use by any person under the age of 18 years old. You must be over the age of 18 to install or use Essential Hoist.**

**WARNING! Strictly follow all instructions to avoid an accident, damage to property, personal injury or death.**

**WARNING! Do not use this product for human suspension. Components can fail causing person to fall, possibly resulting in serious injury or death.**

**WARNING! When operating system, make sure the area below object is clear of persons. If object comes down too quickly, this can cause an accident.**

**WARNING! Contact with wires can give you a severe electrical shock, which may cause injury or death. If you do not know where wires are, have the work done by an experienced professional.**

## **READ THE ENTIRE USER MANUAL BEFORE INSTALLATION**

The User Manual you received with your Essential Hoist provides instructions on how to install and use your Essential Hoist. The instructions are written for a person with a basic understanding of tools and procedures. Read the entire manual before proceeding. If you do not understand any portion of the instructions, do not attempt installation, and contact [info@storeyourboard.com](mailto:info@storeyourboard.com).

## **CORRECTLY INSTALL THE PRODUCT**

Read and follow all instructions carefully.

Failure to properly install and use the Essential Hoist could allow the product to detach from the ceiling, injuring persons or personal property in the process. Accordingly, it is critical that the Essential Hoist be installed correctly and according to the instructions in the User Manual.

## **USE TOOLS SAFELY**

The procedures in the User Manual may require climbing ladders and/or operating power tools. Make sure you are familiar with these tools and their safety procedures before attempting to use such tools during installation. Always be aware of electrical wires during installation. Failure to do so could result in an electrical shock or death.

# **IMPORTANT INFORMATION**

---

## **CAUTION**

It is the consumer's responsibility to install this system in accordance with all codes, ordinances, and local regulations.

When installing the Essential Hoist, it is the consumer's responsibility to ensure the structural integrity of the structure it is being mounted to.

The Essential Hoist is intended for the storage of sporting equipment and household tools only.

This system has a maximum capacity of 150 lbs. Overloading the system could result in damage to property or injury.

Use extreme caution when loading and unloading sportings equipment and household tools from this system.

It is the consumer's responsibility to ensure that the system is in proper working condition before loading objects onto the system. Check tightness of all bolts and screws periodically. Failure to properly maintain the system could result in damage to property or injury.

## **SAFETY WARNING/NOTES:**

Read the instructions all the way through before starting. If you are unsure about any part of this installation, please contact us or a professional installer for assistance.

The ceiling plates must be installed in the center of wood ceiling joists with the lag screws provided.

Your ceiling must be capable of supporting the load hoisted. Never exceed the product load capacity of 150 lbs or it may result in product or property damage or physical injury.

This hoist is intended only for use indoors.

## **WARNING AND DISCLAIMER**

Spire LLC (d/b/a StoreYourBoard) expressly disclaims any and all liability for personal injury, property damage or loss, whether direct, indirect, incidental, resulting from the incorrect mounting, improper use, inadequate maintenance, or neglect of this system.

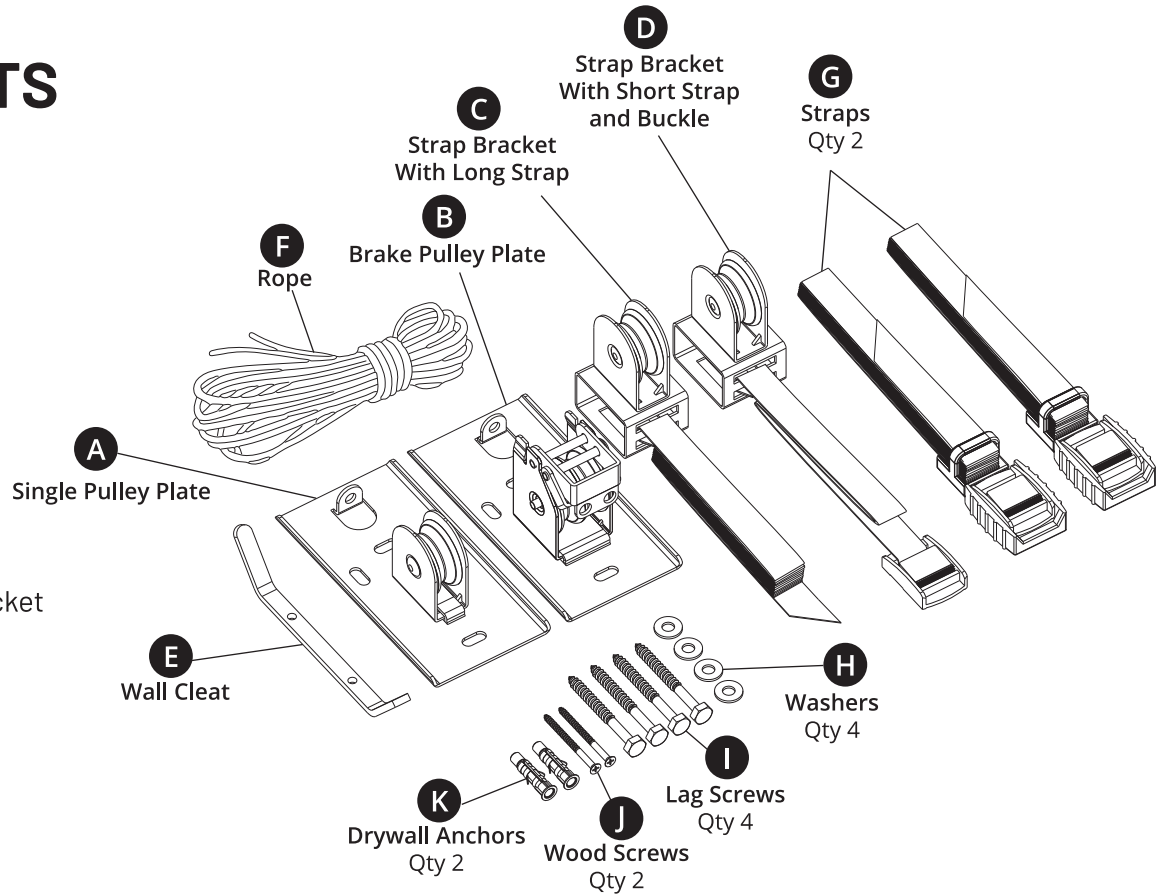
# HOIST PARTS

## REQUIRED TOOLS:

Drill  
 12mm socket  
 3/16" (5mm) drill bit  
 3/32" (2.5mm) drill bit  
 Phillips head screwdriver  
 Stud finder  
 Pencil

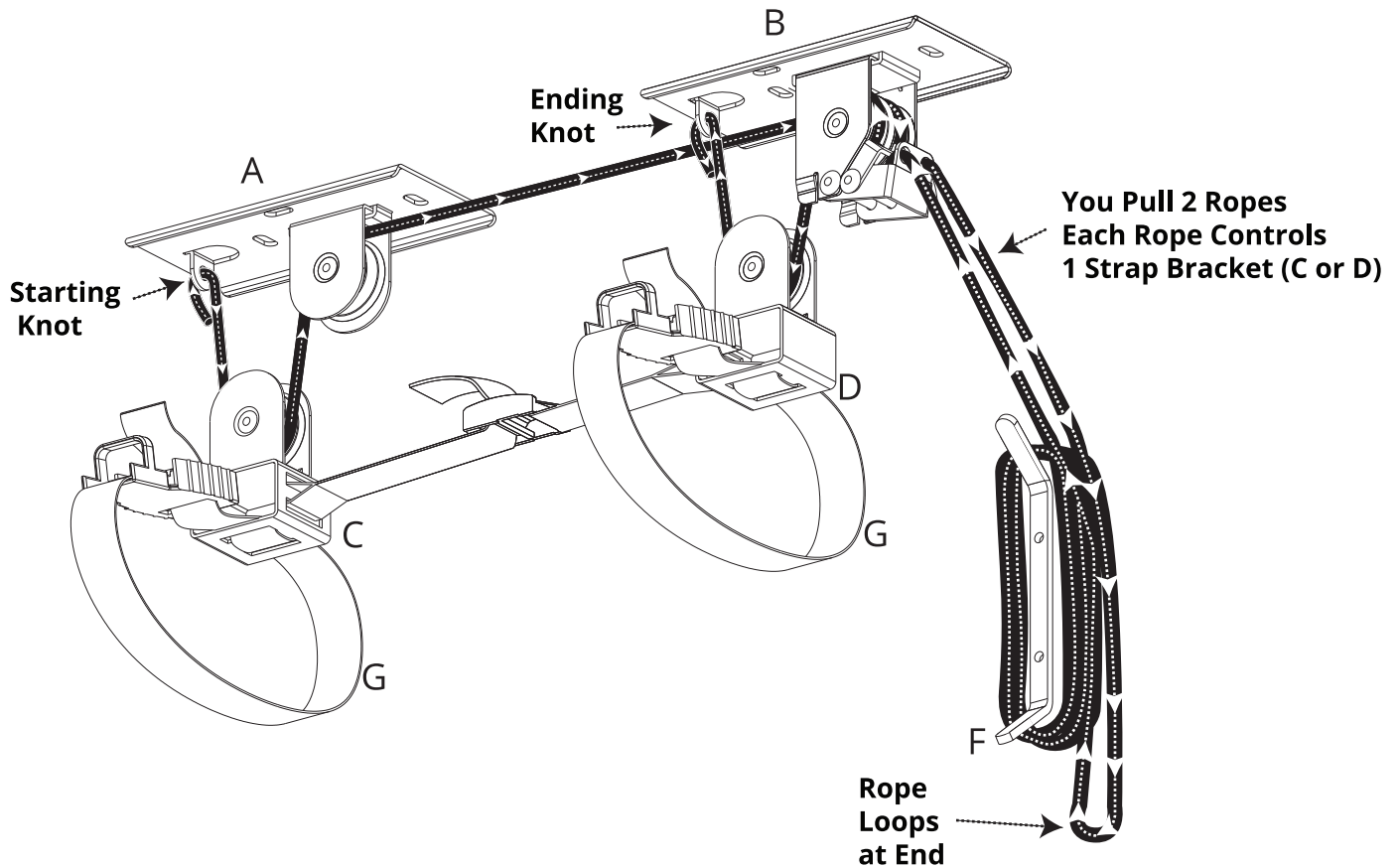
## WEIGHT LIMITS:

75 lbs. max per strap bracket  
 150 lbs. max total



## Get to Know Your Hoist: Overview of Parts and How it Works

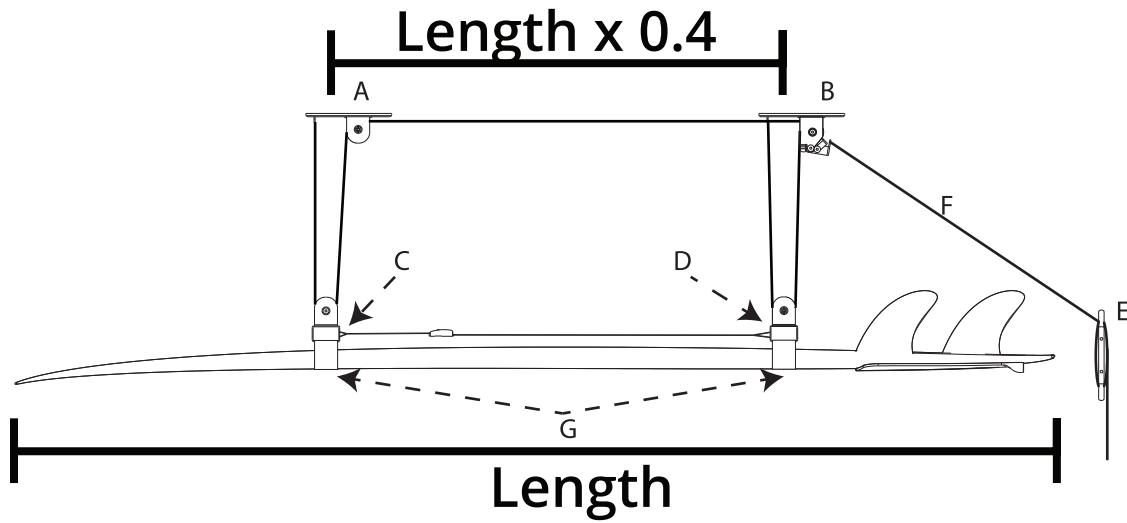
This image shows a fully installed hoist. Use it to understand the parts and refer to it during installation.



# Plan and Install Parts

1

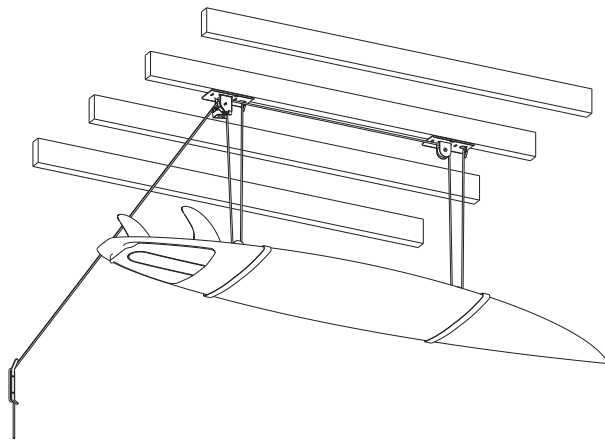
Measure the object you are storing and multiply by 0.4 to determine how far apart you will install ceiling plates A and B. For example, a 10 foot object would mean you install the ceiling plates 4 feet apart (10 feet x 0.4 = 4 feet).



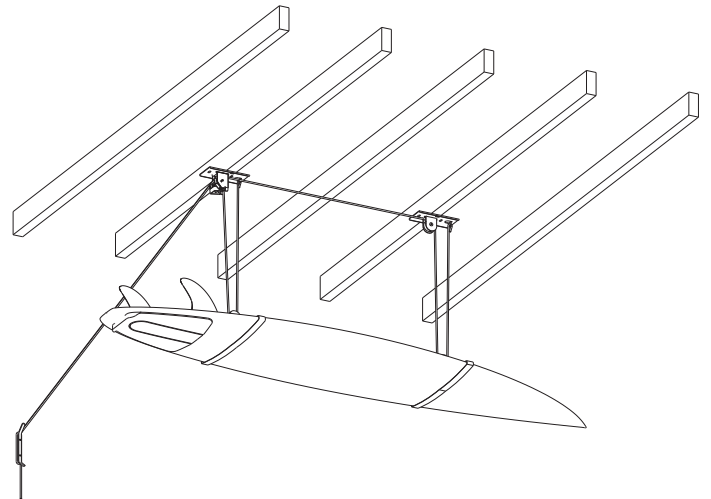
2

You must mount the Ceiling Plates to wood ceiling joists. Find the direction of your joists and determine where you will install the Ceiling Plates. Use the images to determine how you will install your hoist and which holes you will use on the ceiling plates.

**Parallel:**

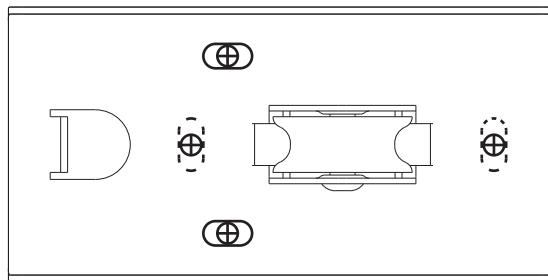


**Perpendicular:**

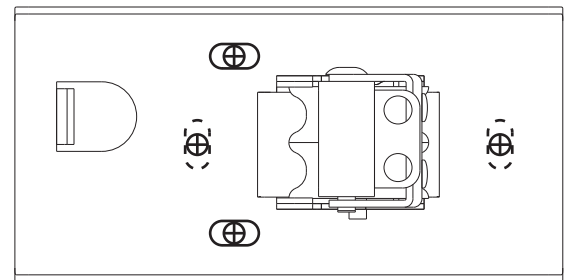


**Key:**

- Parallel Joist
- Perpendicular Joist
- Drill Hole



A



B

### 3 Parallel Mounting:

If parallel, only one joist is required. Mark the center of the joist near where you will install the ceiling plates. If the joists are covered with drywall, use a stud finder to locate and mark the center of the joists.

### 3 Perpendicular Mounting:

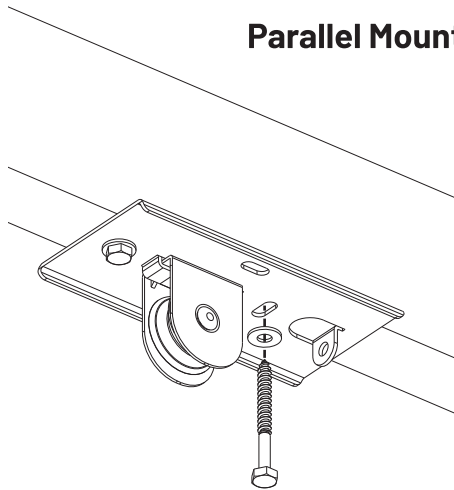
If perpendicular, 2 joists are required. Choose 2 joists that have a gap between them that is closest to the distance you found in Step 1. Mark the center of the joists you are using near where the ceiling plates will be installed. If the joists are covered with drywall, use a stud finder to locate and mark the center of the joists.

4 Hold the ceiling plates against the ceiling at the centerline of the joist and mark the hole locations with a pencil at the center of the slots.

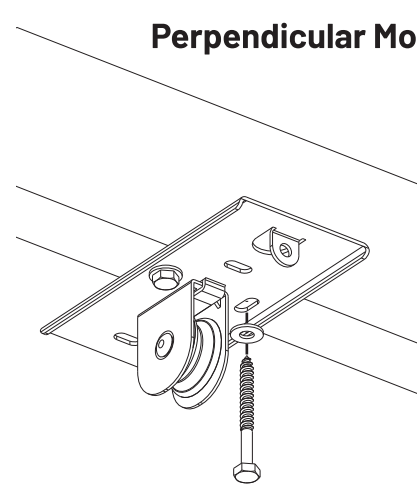
5 Pre-drill pilot holes in the ceiling joists at the locations you marked with a 3/16" (5mm) drill bit

6 Install the ceiling plates with Lag Screws (I) and Washers (H) into the pilot holes using a 12mm socket. Look at the overview images in the beginning and make sure the ceiling plates are in the correct orientation when mounting.

**Parallel Mounting:**



**Perpendicular Mounting:**



7 To determine where you will install the Wall Cleat (E), find a location on a wall near the end of the Brake Pulley Plate (B) where the rope comes out. The wall cleat should be mounted at an easy height to reach but out of the way, somewhere around shoulder height. It is best to mount the wall cleat into a wall stud, but a drywall anchor can also be used.

a. If mounting wall cleat to a stud: use a stud finder to locate a wall stud near where the rope comes out, then use a stud finder to mark the stud centerline at the height you will mount the wall cleat. Pre-drill pilot holes with a 3/32" (2.5mm) drill bit. Install the wall cleat with the Wood Screws (J) in the pilot holes.

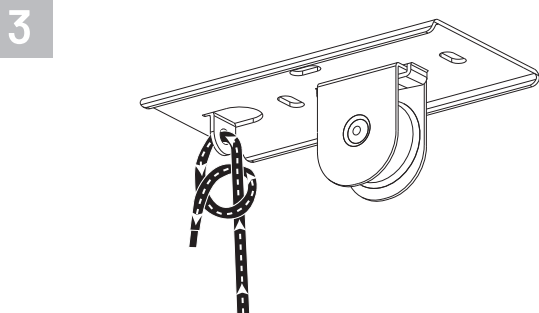
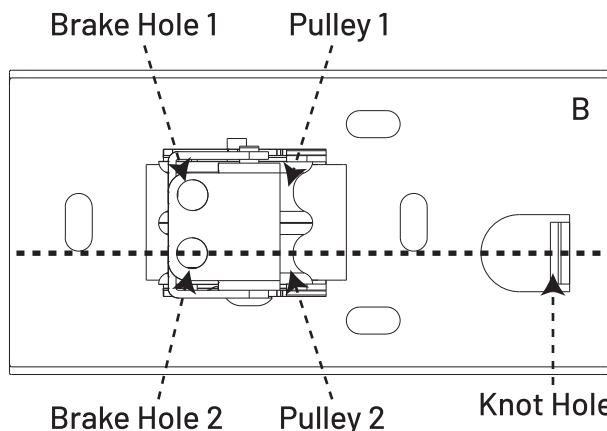
b. If mounting the wall cleat to drywall: it is recommended to use a stud finder or wire detector to ensure you do not drill into electrical wires, plumbing lines, or anything else behind the drywall. Drill anchor holes with a 3/16" (5mm) drill bit. Press the Drywall Anchors (K) into the holes, then install the wall cleat with the Wood Screws (J) into the drywall anchors.

# Assemble rope and strap brackets

- 1 Place the Strap Brackets (C & D) on the floor below the Pulley Ceiling Plates and orient them so the cross straps face each other. To make sure they don't turn while installing the rope, connect the cross strap on the Strap Bracket C through the buckle on the Strap Bracket D and tighten to remove the slack

- 2 Before you install the rope, note this image. On Steps 5.3 and 5.7, you have to make sure you are passing the rope over the correct pulley

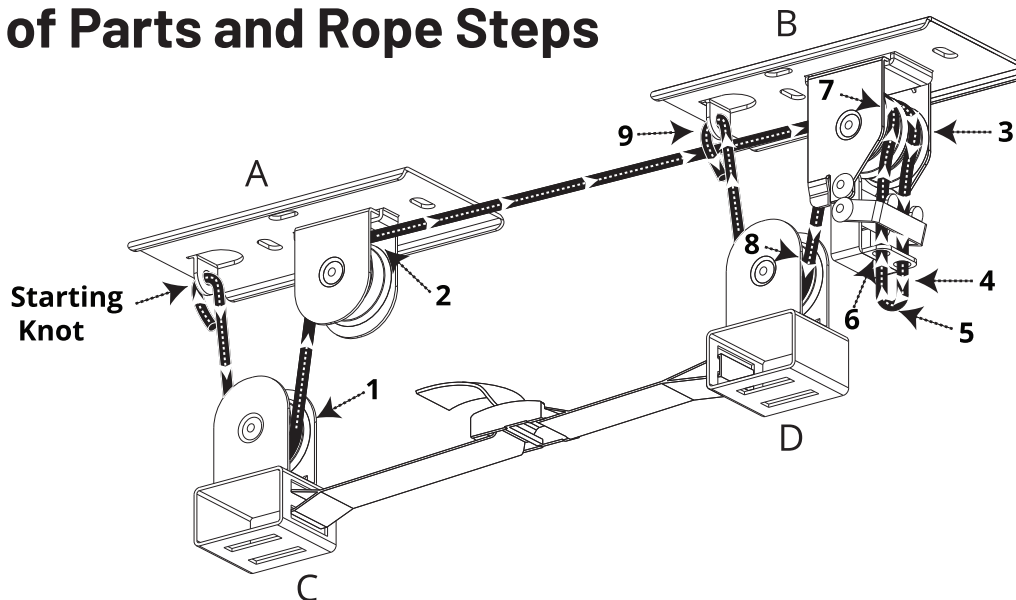
Brake Pulley Plate (B) has two pulleys and two brake holes.  
"Pulley 2" and "Brake Hole 2" align with the knot hole.  
"Pulley 1" and "Brake Hole 1" do not align with the knot hole.



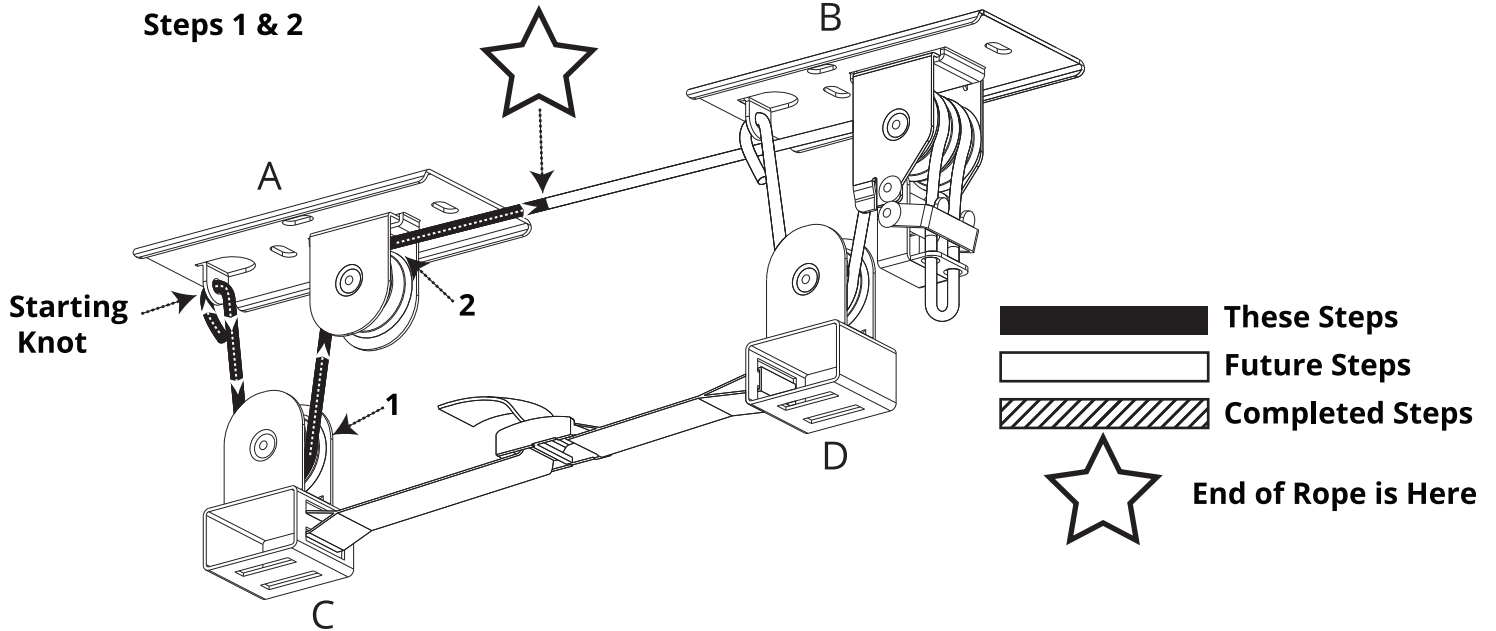
To install the rope, start at the knot hole on the Single Pulley Plate (A). Place the end of the rope through the knot hole and loop a few inches around the rest of the rope and tie a basic knot. Pull down gently on the remaining rope to tighten the knot.

- 4 From the starting knot, pull the rope through your hands to make sure it is smooth and loosely coil it on the ground.

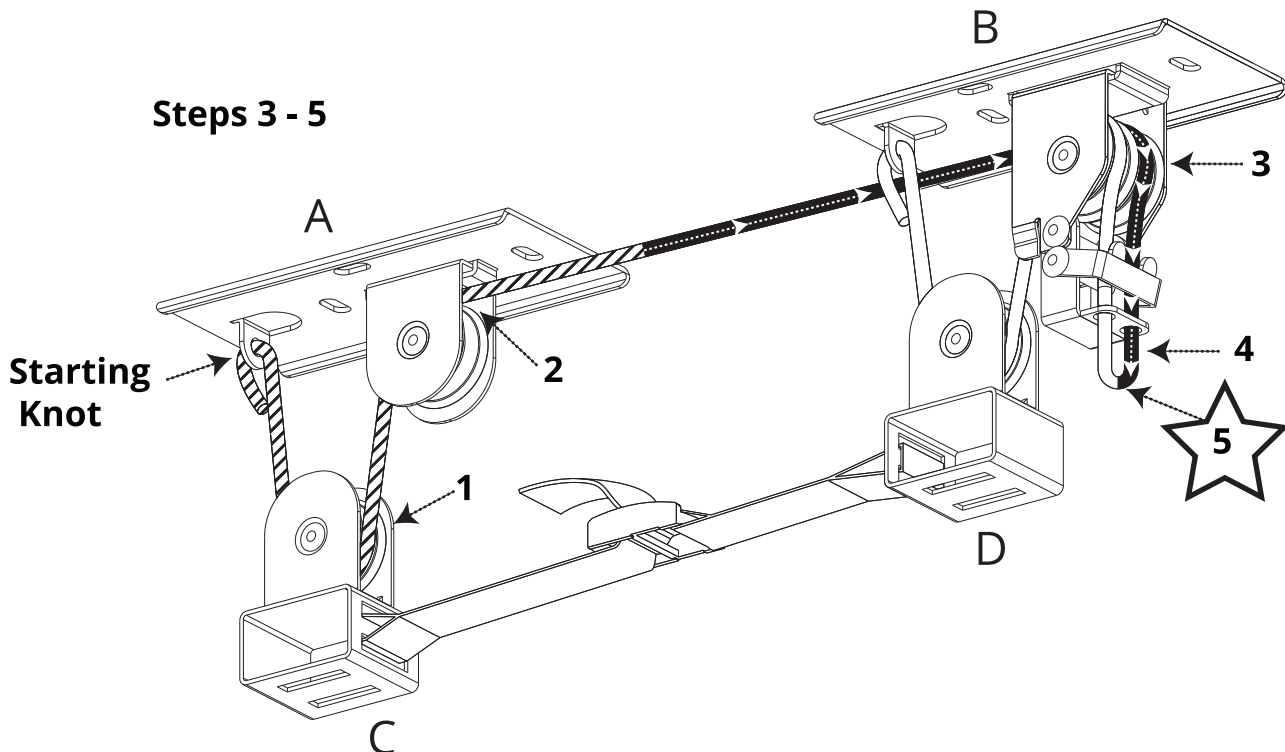
## Overview of Parts and Rope Steps



1. Down and around the pulley on Strap Bracket 1 (C) below Single Pulley Plate (A)
2. Up and around the pulley on Single Pulley Plate (A)



3. Across to Brake Pulley Plate (B) and over the top of Pulley 1 (the pulley NOT aligned with the knot hole on the bent tab)
4. Through Brake Hole 1. Make sure the rope goes under the brake "teeth" as shown in the images
5. Pull rope coil through Brake Hole 1 until Strap Bracket 1 (C) is about to lift off the ground. Loosely coil the rest of the rope on the ground below the Brake Pulley Plate (B).

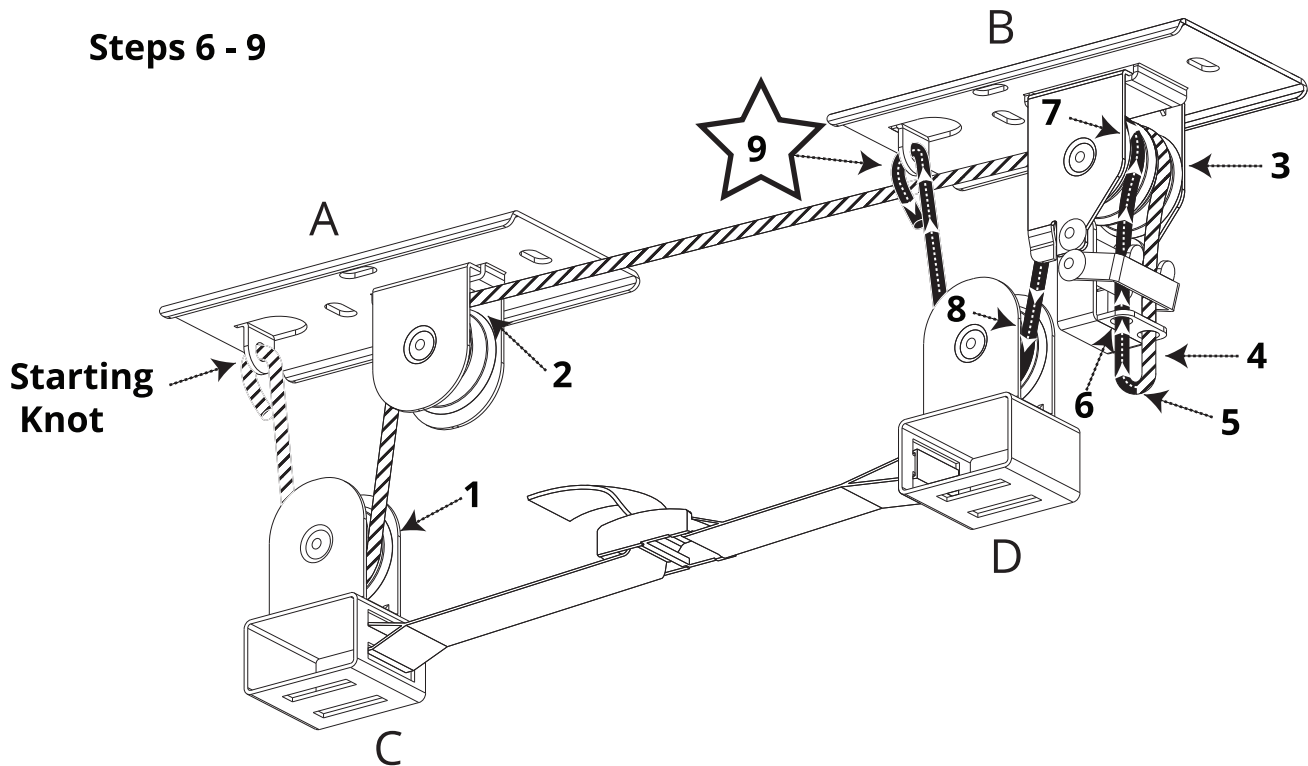




## 5 (continued)

6. Loop around the brake and back into Brake Hole 2. Again, make sure the rope is in the groove of the pulley and under the "teeth."
7. Loop around Brake Pulley Plate (B) Pulley 2 and down toward Strap Bracket 2 (D)
8. Down and around the pulley on Strap Bracket 2 (D) and up toward Brake Pulley Plate (B)
9. Tie the same knot in the knot hole on Brake Pulley Plate (B) as you did to start the rope installation on Single Pulley Plate (A)

### Steps 6 - 9



# Assemble straps and operate hoist

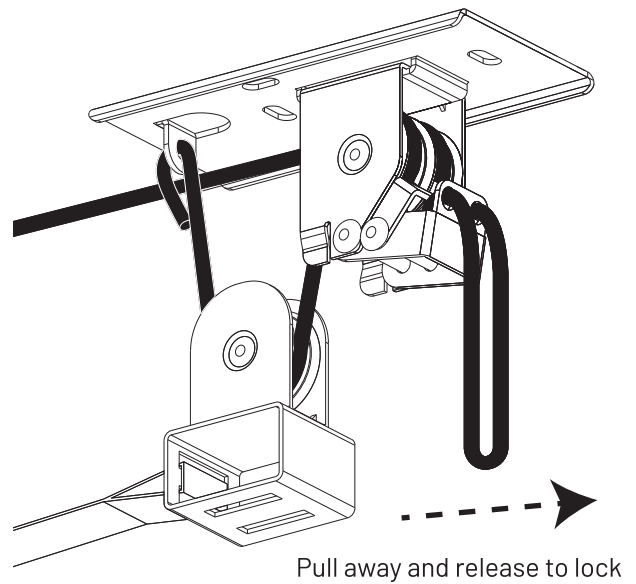
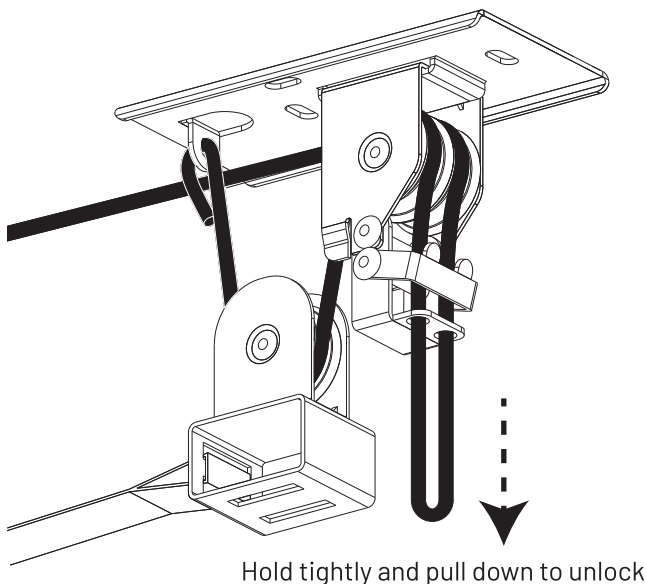
**Need to know:** The free end of the rope coming out of the brake is two ropes that are looped at the end. Each rope can be individually adjusted to straighten the object you are lifting when first setting it, but most of the time you will pull both of them together and treat it as a single rope.

1

To set the brake to prevent the hoist from lowering, move the free rope end in a straight line toward the direction the rope comes out of the brake pulley.

2

To release the brake and lower your object, grab the rope tightly and prepare to hold the weight of your object. Pull straight down on the free end of the rope until the brake releases and raise the rope toward the ceiling to lower your object.

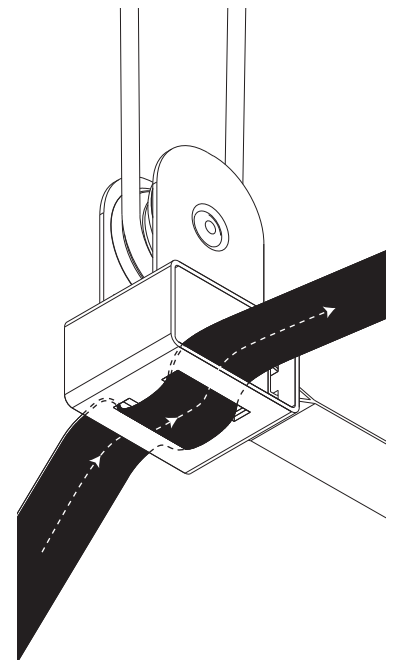


3

To attach your object, place it below the hoist and use the rope and brake to set the Strap Brackets (C & D) to a height just above the object. Place the Straps (G) underneath the object you are storing so that the ends come over the top and align them under the Strap Brackets.

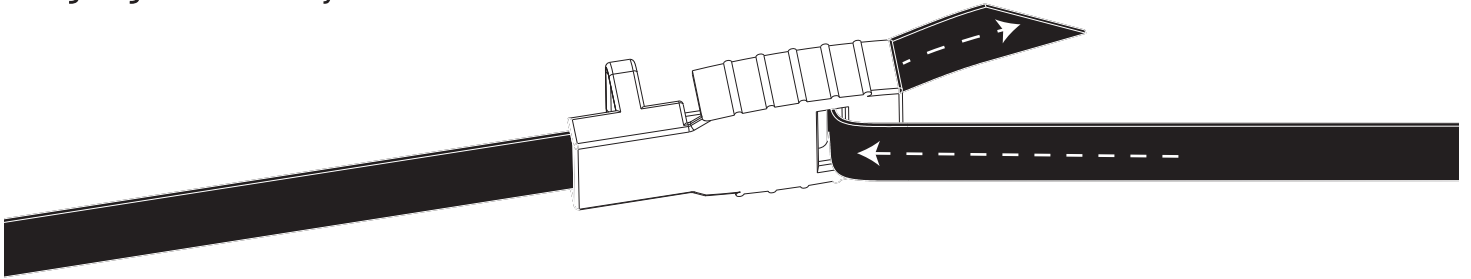
4

Orient the Strap so that the buckle is facing up and the strap is not twisted. Weave each Strap end through the cutouts in the bottom of the Strap Brackets



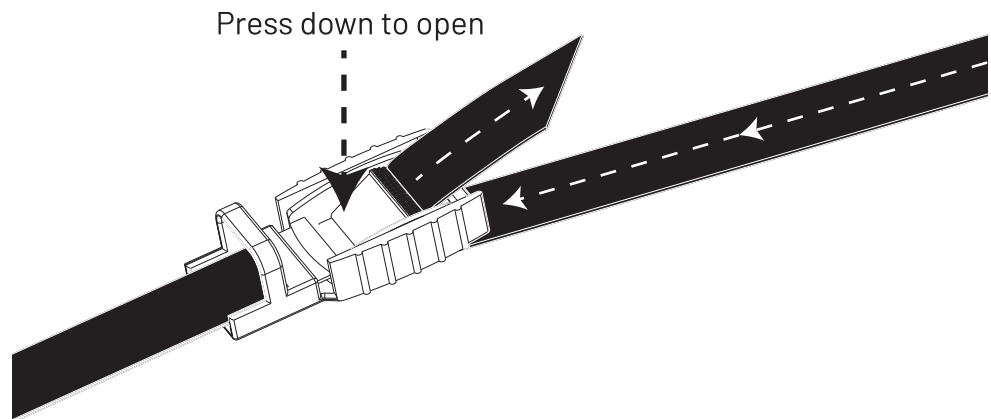
5

Press down on the buckle release to open it and guide the strap end from the bottom through the slot in the silicone buckle cover and through the opening in the buckle. The buckle must be used with the strap coming up through the bottom and out of the top, it will slip if the strap is going the other way.



6

Pull the end of the strap to tighten and adjust the straps so that your object sits tight against the strap bracket. The tighter you make the strap, the closer your object will be to the ceiling.



7

Take the free end of the rope and adjust each side separately to straighten the Strap Brackets above the object. Pull the rope evenly to raise the object toward the ceiling, and engage the brake when it reaches the desired height.

8

Wrap the extra rope around the wall cleat to keep it out of the way, free from knots, and to serve as a backup for the brake pulley.

9

Note when a wide object is lifted to the ceiling, it might prevent the rope from pulling down to disengage the brake. You can reach above the object to pull the rope straight down, or do not lift the object as high, so that the rope can still pull down straight enough to disengage the brake.



**Before putting any weight on the system, make sure it is set up correctly and looks exactly like the overview image**