

INSTALLATION GUIDE

OUTDOOR SWIVEL KAYAK

IMPORTANT INFORMATION

Outdoor Swivel Kayak

Manufactured for Spire LLC by Tellbe in Vietnam

Quantity: 1

WARNING! The Outdoor Swivel Kayak Rack is NOT intended for use by any person under the age of 18 years old. You must be over the age of 18 to install or use the Outdoor Swivel Kayak Rack.

WARNING! Strictly follow all instructions to avoid an accident, damage to property, personal injury or death.

WARNING! Do not use this product for human suspension. Components can fail causing person to fall, possibly resulting in serious injury or death.

READ THE ENTIRE USER MANUAL BEFORE INSTALLATION

The User Manual you received with your Outdoor Swivel Kayak Rack provides instructions on how to install and use your rack. The instructions are written for a person with a basic understanding of tools and procedures. Read the entire manual before proceeding. If you do not understand any portion of the instructions, do not attempt installation, and email info@storeyourboard.com.

CORRECTLY INSTALL THE PRODUCT

Read and follow all instructions carefully.

Accordingly, it is critical that the Outdoor Swivel Kayak Rack be installed correctly and according to the instructions in the User Manual.

USE TOOLS SAFELY

The procedures in the User Manual may require climbing ladders and/or operating power tools. Make sure you are familiar with these tools and their safety procedures before attempting to use such tools during installation. Always be aware of electrical wires during installation. Failure to do so could result in an electrical shock or death.

WARNING!

Contact with wires can give you a severe electrical shock, which may cause injury or death. If you do not know where wires are, have the work done by an experienced professional.

IMPORTANT INFORMATION

CAUTION

It is the consumer's responsibility to install this system in accordance with all codes, ordinances, and local regulations.

When installing the Outdoor Swivel Kayak Rack, it is the consumer's responsibility to ensure the structural integrity of the structure it is being mounted to.

The Outdoor Swivel Kayak Rack is intended for the storage of Kayaks/Standup Paddle Boards (SUP) only. Do not use it for any other purpose.

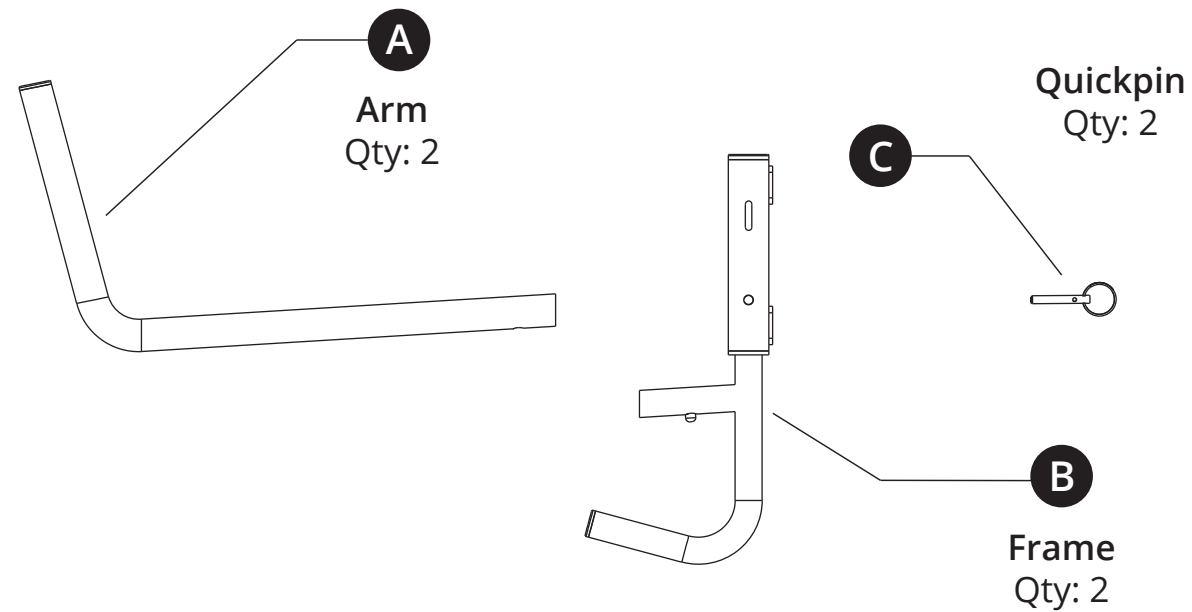
This system has a maximum capacity of 100 lbs. Overloading the system could result in damage to property or injury.

It is the consumer's responsibility to ensure that the system is in proper working condition before loading objects onto the system. Check tightness of all bolts and screws periodically. Failure to properly maintain the system could result in damage to property or injury.

WARNING AND DISCLAIMER

Spire LLC (d/b/a Store Your Board) expressly disclaims any and all liability for personal injury, property damage or loss, whether direct, indirect, incidental, resulting from the incorrect mounting, improper use, inadequate maintenance, or neglect of this system.

INSTALLATION



INCLUDED HARDWARE:



D

Lag Screws
Qty: 4



E

Washer
Qty: 4

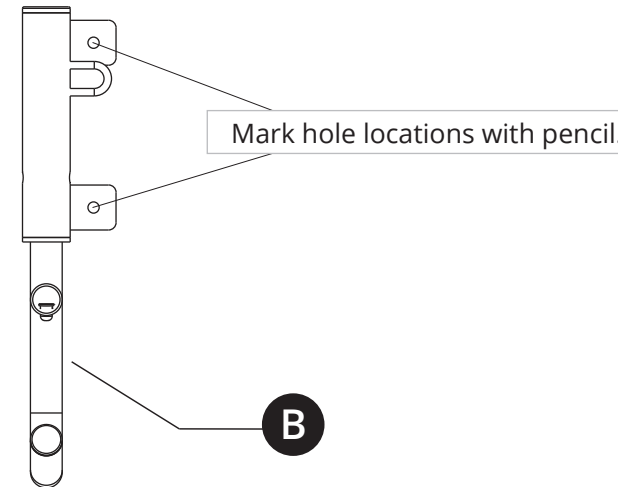
RECOMMENDED TOOLS:

12mm Socket
3/16" Drill Bit
Tape Measure
Pencil
Stud Finder
Drill/Driver

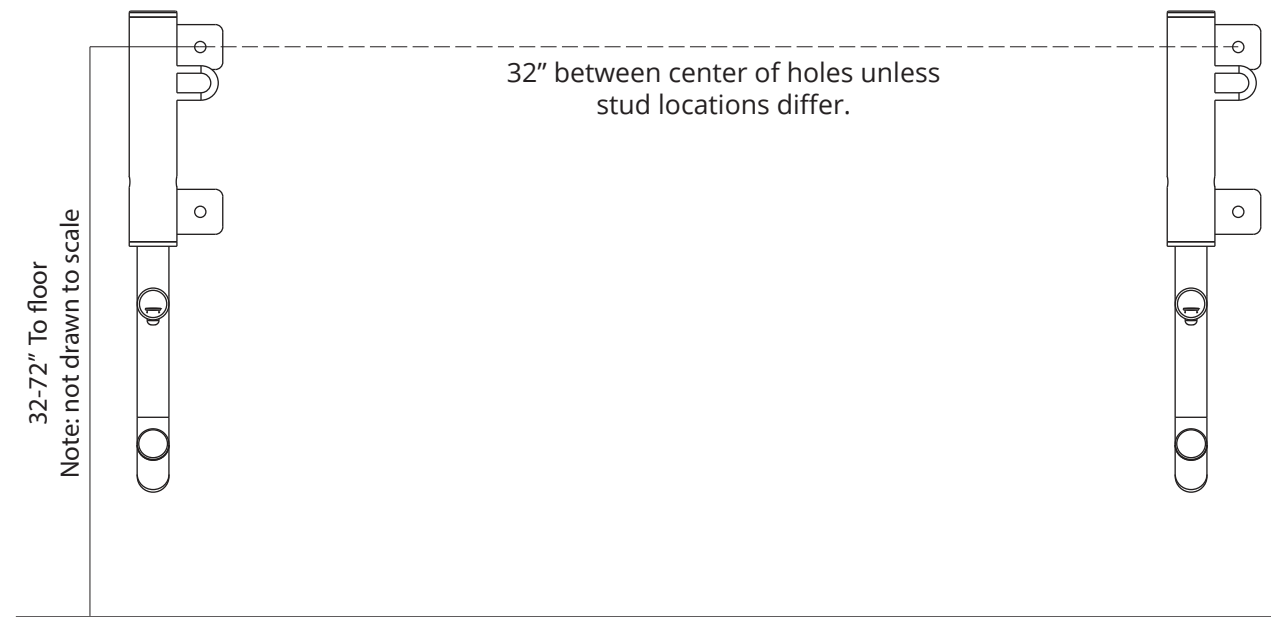
WEIGHT LIMITS:

100 lbs. max

1 Using a stud finder, locate the stud and mark its location. Hold Frame (B) up to stud location so that the top hole is approximately 32-72" above the floor and mark the hole locations on Frame (B) with a pencil. Use a level to ensure the holes are straight up and down. Height above floor will depend on how high you want to store the kayak.



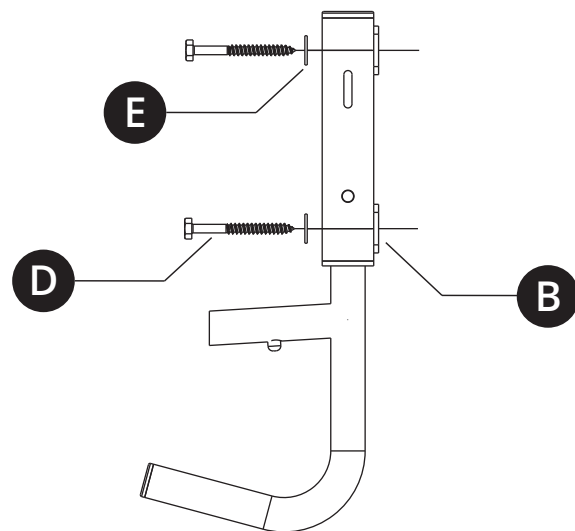
2 Measure from the floor to the center of the top hole pencil mark and note the measurement. Place the second Frame (B) 32" away and the same distance from the floor to the top hole as the other frame. Use a level to ensure holes line up vertically and mark the holes.



3 Using a 3/16" drill bit, drill 4 holes at the marked locations.

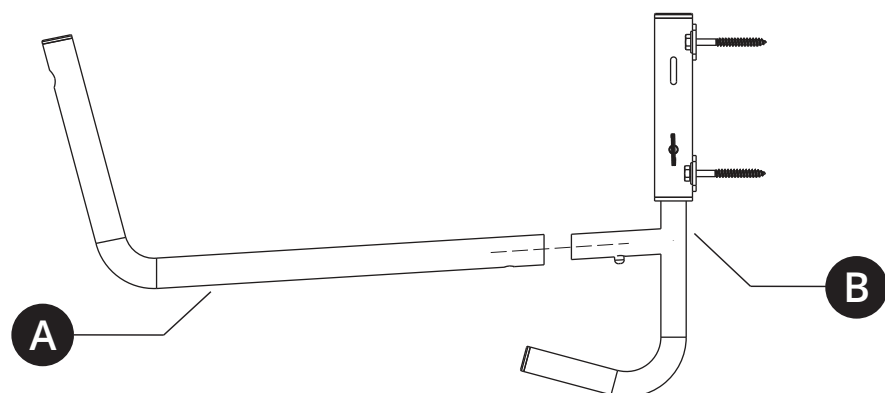
4

Using a 12mm socket, tighten the lag screws (D) against Washer (E) and Frame (B).



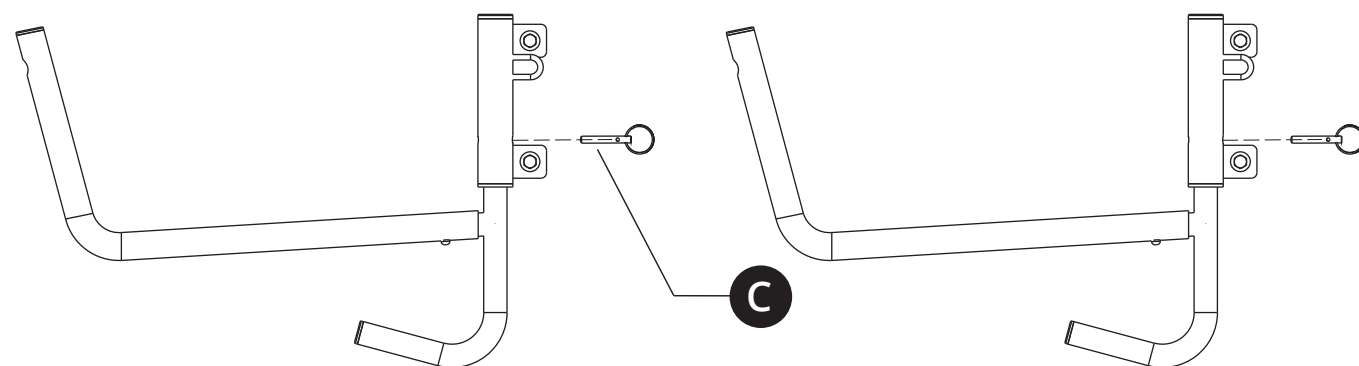
5

Install Arms (A) onto Frames (B) and secure via detent.



6

Storage: With the Arms (A) completely unweighted, pull the Quickpin (C), and swivel the arms 90 degrees to either side.



CARE INSTRUCTIONS

Periodically check lag screw tightness.