

INSTALLATION GUIDE

SHOVEL SHUTTLE



SCAN THIS QR CODE FOR
THE FULL INSTALL VIDEO.

Questions or Concerns?

Contact us at:  info@storeyourboard.com

IMPORTANT INFORMATION

Shovel Shuttle

Manufactured for Spire LLC in Vietnam

Quantity: 1

WARNING! The product is NOT intended for use by any person under the age of 18 years old. You must be over the age of 18 to install or use the product.

WARNING! Strictly follow all instructions to avoid an accident, damage to property, personal injury or death.

READ THE ENTIRE USER MANUAL BEFORE INSTALLATION

The User Manual you received with your product provides instructions on how to install and use your product. The instructions are written for a person with a basic understanding of tools and procedures. Read the entire manual before proceeding. If you do not understand any portion of the instructions, do not attempt installation, and email us with the information on the cover.

CORRECTLY INSTALL THE PRODUCT

Read and follow all instructions carefully.

Failure to properly install and use the product could allow the product to dismantle or fall, injuring persons or personal property in the process. Accordingly, it is critical that the product be assembled and installed correctly and according to the instructions in the User Manual.

USE TOOLS SAFELY

The procedures in the User Manual may require climbing ladders and/or operating power tools. Make sure you are familiar with these tools and their safety procedures before attempting to use such tools during installation. Always be aware of electrical wires during installation. Failure to do so could result in an electrical shock or death.

CAUTION

It is the consumer's responsibility to install this system in accordance with all codes, ordinances, and local regulations.

When installing the product, it is the consumer's responsibility to ensure the structural integrity of the structure it is being mounted to.

The product is intended for the storage of sporting equipment only. Do not use it for any other purpose.

This system has a maximum capacity stated in the following section. Overloading the system could result in damage to property or injury.

Use extreme caution when loading and unloading equipment from this system.

It is the consumer's responsibility to ensure that the system is in proper working condition before loading objects onto the system. Check tightness of all bolts and screws periodically. Failure to properly maintain the system could result in damage to property or injury.

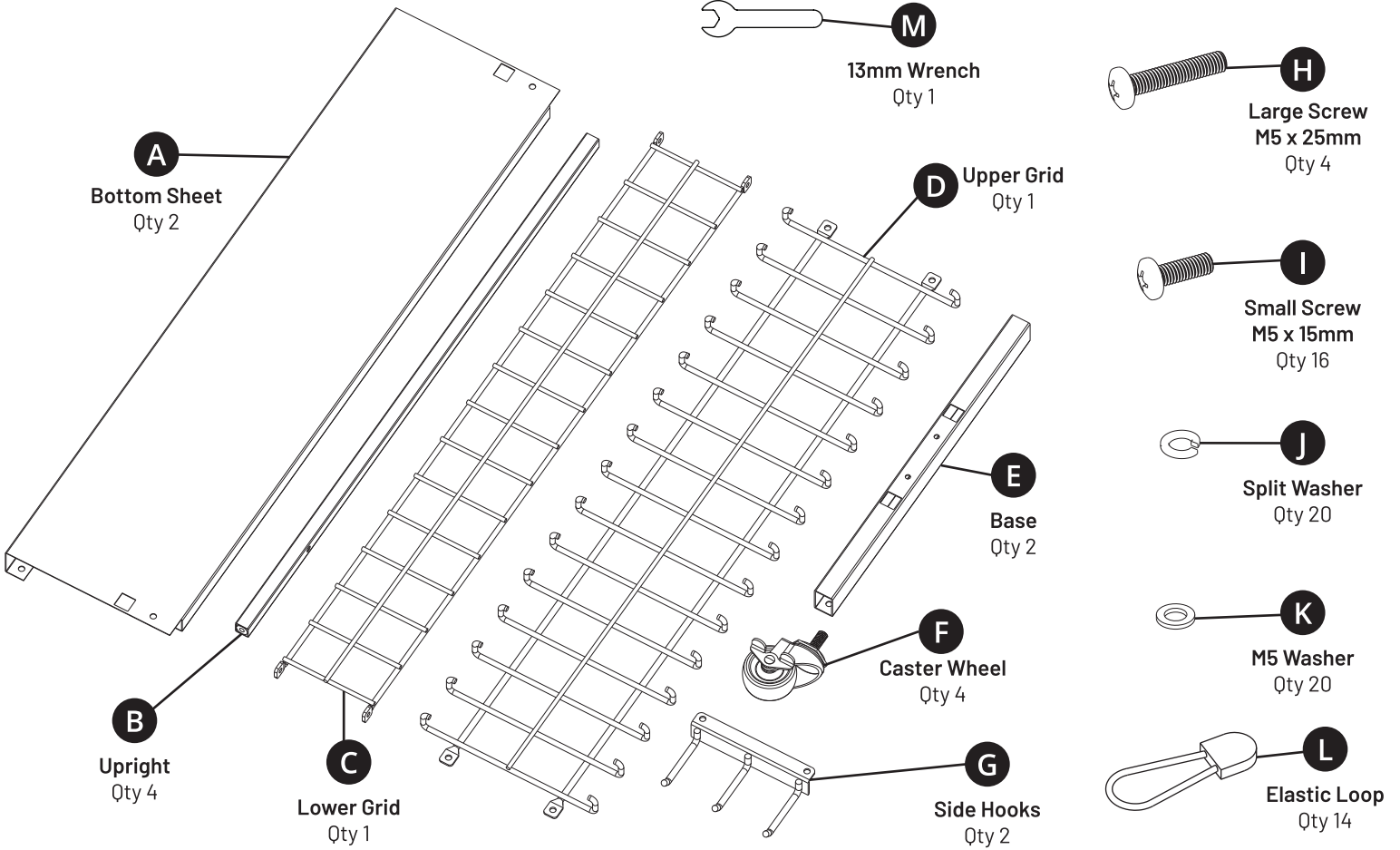
WARNING AND DISCLAIMER

Spire LLC (d/b/a StoreYourBoard) expressly disclaims any and all liability for personal injury, property damage or loss, whether direct, indirect, incidental, resulting from the incorrect mounting, improper use, inadequate maintenance, or neglect of this system.

SHOVEL SHUTTLE PARTS

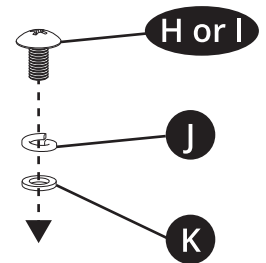
WEIGHT LIMIT:
120 lbs.

REQUIRED TOOLS:
Phillips Screw Driver



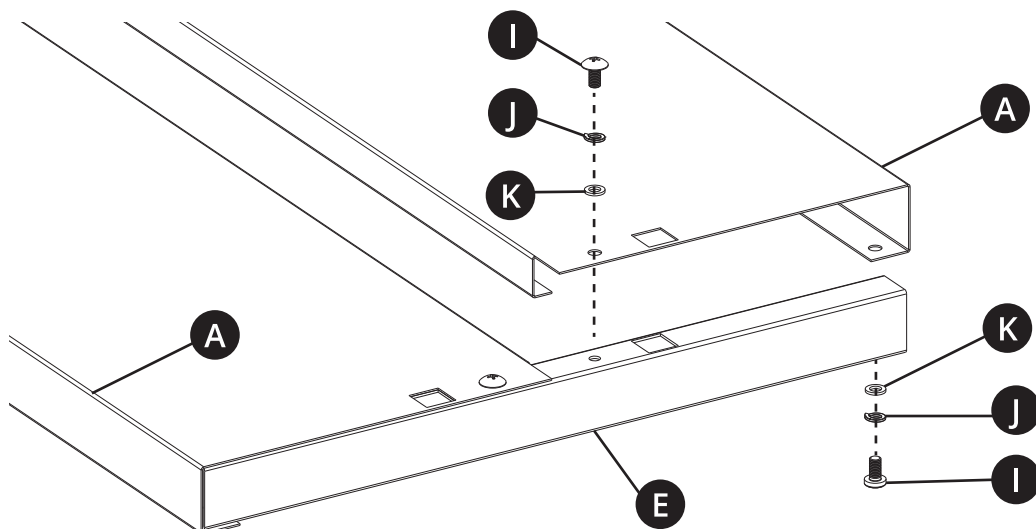
ASSEMBLY STEPS

NOTE: All screws and washers are assembled in the same order
The Split Washer (J) rests against the screw head
The regular Washer (K) sits between the Split Washer and the part you are assembling



1 Assemble the Base

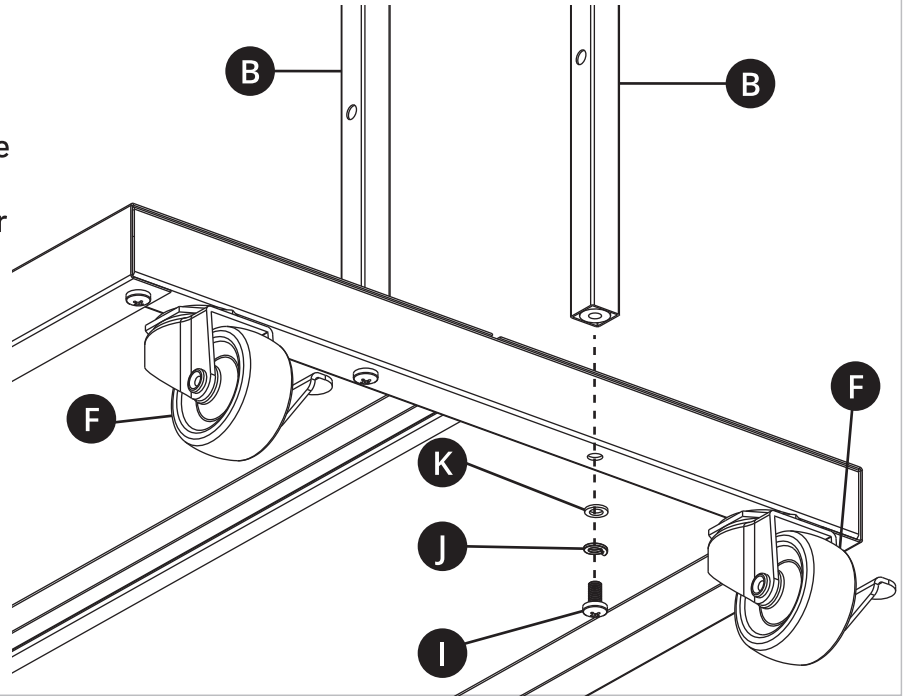
Attach the Bottom Sheet (A) to the Base (E) using 8 Small Screws (I), 8 Split Washers (J), and 8 Washers (K).



2 Assemble the Casters and Uprights

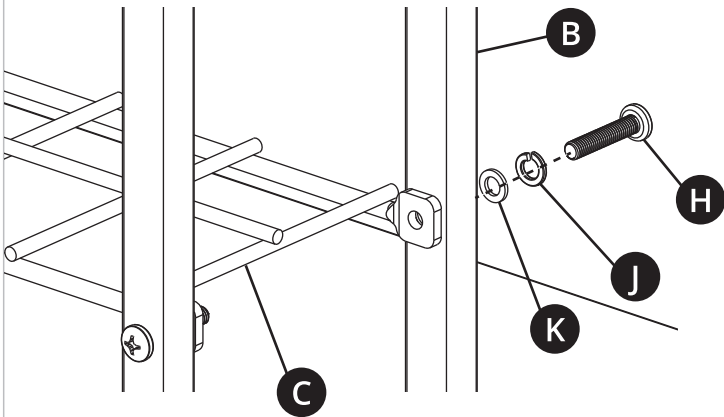
Screw the Casters (F) into the threads on the bottom of the Base (E). Use the included Wrench (M) to tighten them.

Align the Uprights (B) through the cutouts in the Bottom Sheet (A) and Base (E) and attach to the Base with 1 Small Screw (I), 1 Split Washer (J), and 1 Washer (K) on each upright. Make sure the holes a few inches up from the bottom are facing the same direction as the length of the base (see image).



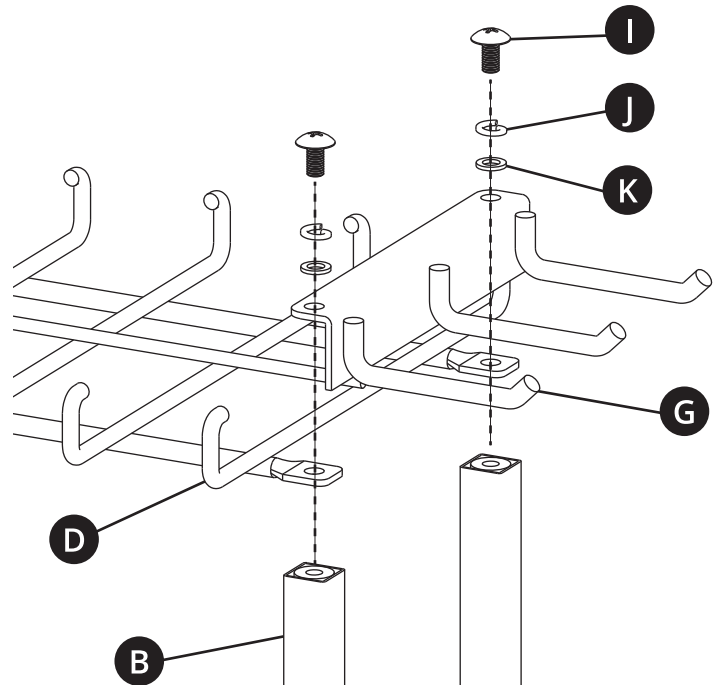
3 Assemble the Lower Grid

Attach the Lower Grid (C) to the Uprights (B) using 4x Large Screws (H). The screws go through the Upright tube and thread into the flat ends of the Lower Grid.



4 Assemble the Upper Grid and Side Hooks

Align the Side Hooks (G) over the Upper Grid (D) and attach them to the Uprights (B) with 4 Small Screws (I), 4 Split Washers (J), and 4 Washers (K).



5 Attach Tools

Hook the Elastic Loops (L) over the ends of the Upper Grid (D) to hold your tools.