

INSTALLATION GUIDE

ACRYLIC SURF RACK



SCAN THIS QR CODE FOR
THE FULL INSTALL VIDEO.

Questions or Concerns?

Contact us at:  info@storeyourboard.com

IMPORTANT INFORMATION

Acrylic Surf Rack

Manufactured for Spire LLC in Vietnam

Quantity: 1

WARNING! The product is NOT intended for use by any person under the age of 18 years old. You must be over the age of 18 to install or use the product.

WARNING! Strictly follow all instructions to avoid an accident, damage to property, personal injury or death.

READ THE ENTIRE USER MANUAL BEFORE INSTALLATION

The User Manual you received with your product provides instructions on how to install and use your product. The instructions are written for a person with a basic understanding of tools and procedures. Read the entire manual before proceeding. If you do not understand any portion of the instructions, do not attempt installation, and email us with the information on the cover.

CORRECTLY INSTALL THE PRODUCT

Read and follow all instructions carefully.

Failure to properly install and use the product could allow the product to dismantle or fall, injuring persons or personal property in the process. Accordingly, it is critical that the product be assembled and installed correctly and according to the instructions in the User Manual.

USE TOOLS SAFELY

The procedures in the User Manual may require climbing ladders and/or operating power tools. Make sure you are familiar with these tools and their safety procedures before attempting to use such tools during installation. Always be aware of electrical wires during installation. Failure to do so could result in an electrical shock or death.

CAUTION

It is the consumer's responsibility to install this system in accordance with all codes, ordinances, and local regulations.

When installing the product, it is the consumer's responsibility to ensure the structural integrity of the structure it is being mounted to.

The product is intended for the storage of sporting equipment only. Do not use it for any other purpose.

This system has a maximum capacity stated in the following section. Overloading the system could result in damage to property or injury.

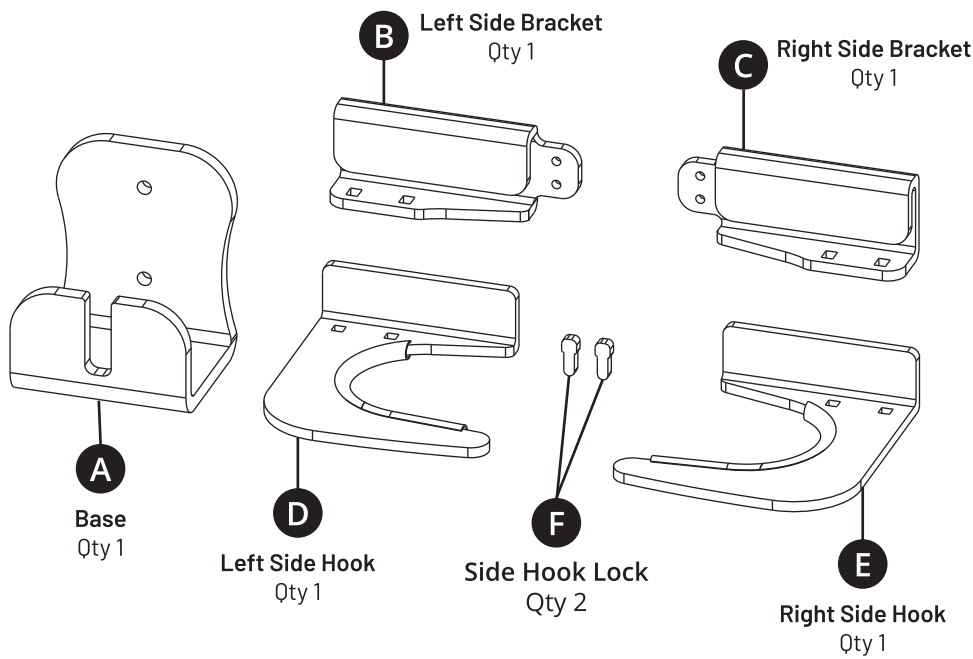
Use extreme caution when loading and unloading equipment from this system.

It is the consumer's responsibility to ensure that the system is in proper working condition before loading objects onto the system. Check tightness of all bolts and screws periodically. Failure to properly maintain the system could result in damage to property or injury.

WARNING AND DISCLAIMER

Spire LLC (d/b/a StoreYourBoard) expressly disclaims any and all liability for personal injury, property damage or loss, whether direct, indirect, incidental, resulting from the incorrect mounting, improper use, inadequate maintenance, or neglect of this system.

ACRYLIC SURF RACK PARTS

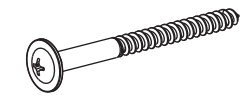


WEIGHT LIMITS:

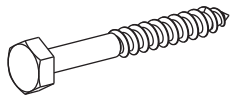
50 lbs. when properly installed in wood wall studs

REQUIRED TOOLS:

Drill/driver
Stud Finder
3/16" (5mm drill bit)
10mm Socket
Phillips Screw driver
Level



G
Phillips Head Screw
0.16" x 1.5"
Qty 4



H
Lag Screw
0.2" x 2"
Qty 2



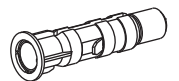
I
Nylon Washer
Qty 4



J
Metal and Rubber
Washer
Qty 2



K
Rubber Screw Cap
Qty 2



L
Drywall Anchor
Qty 4

INSTALLATION STEPS

1 Measure the Space

Determine the length of your surfboard and the area where you plan to mount it on the wall. Ensure there is sufficient space for the surfboard.

2 Locate the Stud

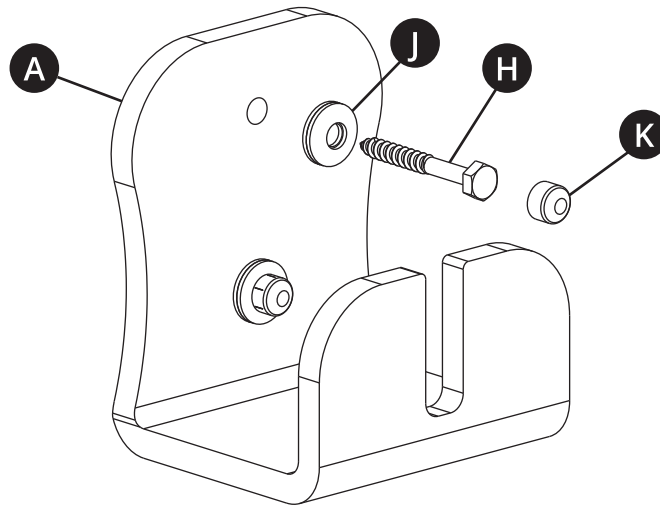
Use a stud finder to identify and mark the center of the wall stud that will support the Base. It's crucial to mount the Base on a stud to bear the weight of the surfboard.

3 Mark the Base Position

Position the Base (A) against the wall at the desired mounting location. Mark the two mounting holes. Pre-drill these marked spots with a 3/16" drill bit.

4**Attach the Base**

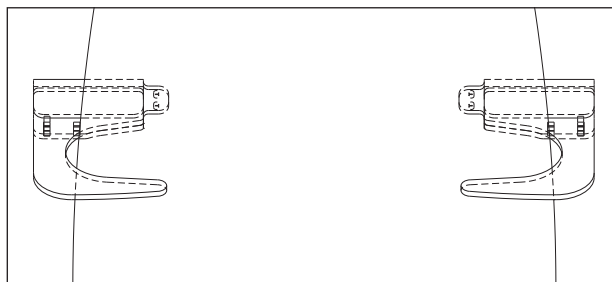
Secure the Base (A) to the wall using the Metal and Rubber Washers (J) and the Lag Screws (H). Ensure the rubber side of the washer faces the wall and the metal side faces outward. Use an extension bit to fasten the bottom screw through the cutout slot in the Base. Attach the Rubber Screw Caps (K) by pressing them onto the screw head.

**5****Mark the Side Hook Locations**

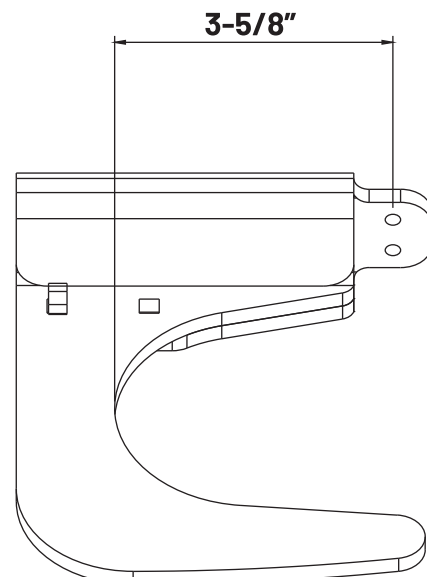
With the help of another person, place the surfboard onto the Base. Hold it steady and mark the edge locations where you plan to mount the Side Hooks. Make sure the surfboard is level and mark the edges lightly with a pencil or a piece of tape.

6**Measure for Side Hook Brackets**

Remove the surfboard and verify the level of the marks. The screw location will be 3-5/8" inside of the edge location. Measure this distance and position the Side Hook Brackets (B & C) against the wall to mark the hole locations for both sides.

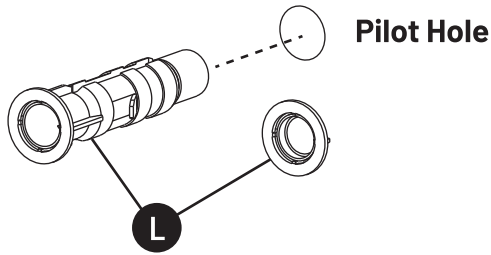


See through view with surfboard mounted to see hole locations behind edges

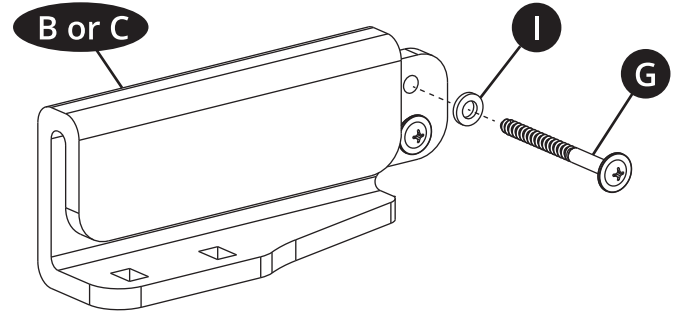


7**Drill Pilot Holes**

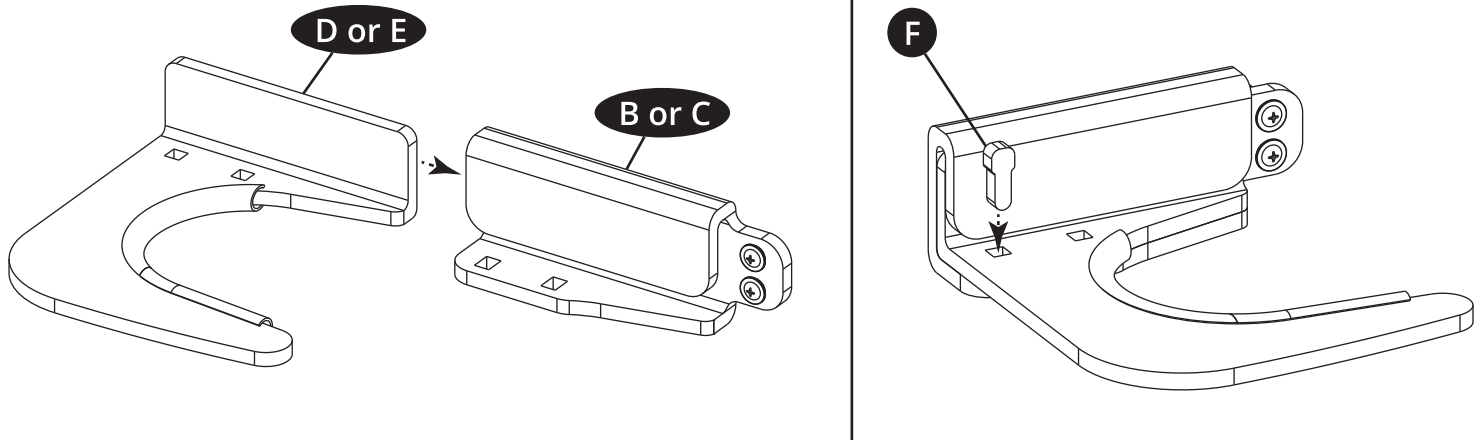
Use a 3/16" drill bit to drill pilot holes for the Drywall Anchors (L). Insert the anchors into the holes until the front edge is flush or slightly protruding from the wall.

**8****Mount the Side Hook Brackets**

Secure the Side Hook Brackets to the wall using the Phillips Head Screws (G) and Nylon Washers (I).

**9****Install the Surfboard**

Place the surfboard onto the Base and insert the Side Hooks (D & E) into the Side Hook Brackets (B & C). Secure the Side Hook Brackets in place with the Side Hook Lock (F).

**10****Adjust if Necessary**

If the Side Hooks are too tight, adjust them by moving them out to lock them in the alternate notch in the Side Hook Bracket.

