

INSTALLATION GUIDE

AFTON UTILITY ORGANIZER



SCAN THIS QR CODE FOR
THE FULL INSTALL VIDEO.

Questions or Concerns?

Contact us at:  info@storeyourboard.com

IMPORTANT INFORMATION

Afton Utility Organizer

Manufactured for Spire LLC in Vietnam

Quantity: 1

WARNING! The product is NOT intended for use by any person under the age of 18 years old. You must be over the age of 18 to install or use the product.

WARNING! Strictly follow all instructions to avoid an accident, damage to property, personal injury or death.

READ THE ENTIRE USER MANUAL BEFORE INSTALLATION

The User Manual you received with your product provides instructions on how to install and use your product. The instructions are written for a person with a basic understanding of tools and procedures. Read the entire manual before proceeding. If you do not understand any portion of the instructions, do not attempt installation, and email us with the information on the cover.

CORRECTLY INSTALL THE PRODUCT

Read and follow all instructions carefully.

Failure to properly install and use the product could allow the product to dismantle or fall, injuring persons or personal property in the process. Accordingly, it is critical that the product be assembled and installed correctly and according to the instructions in the User Manual.

USE TOOLS SAFELY

The procedures in the User Manual may require climbing ladders and/or operating power tools. Make sure you are familiar with these tools and their safety procedures before attempting to use such tools during installation. Always be aware of electrical wires during installation. Failure to do so could result in an electrical shock or death.

CAUTION

It is the consumer's responsibility to install this system in accordance with all codes, ordinances, and local regulations.

When installing the product, it is the consumer's responsibility to ensure the structural integrity of the structure it is being mounted to.

The product is intended for the storage of sporting equipment only. Do not use it for any other purpose.

This system has a maximum capacity stated in the following section. Overloading the system could result in damage to property or injury.

Use extreme caution when loading and unloading equipment from this system.

It is the consumer's responsibility to ensure that the system is in proper working condition before loading objects onto the system. Check tightness of all bolts and screws periodically. Failure to properly maintain the system could result in damage to property or injury.

WARNING AND DISCLAIMER

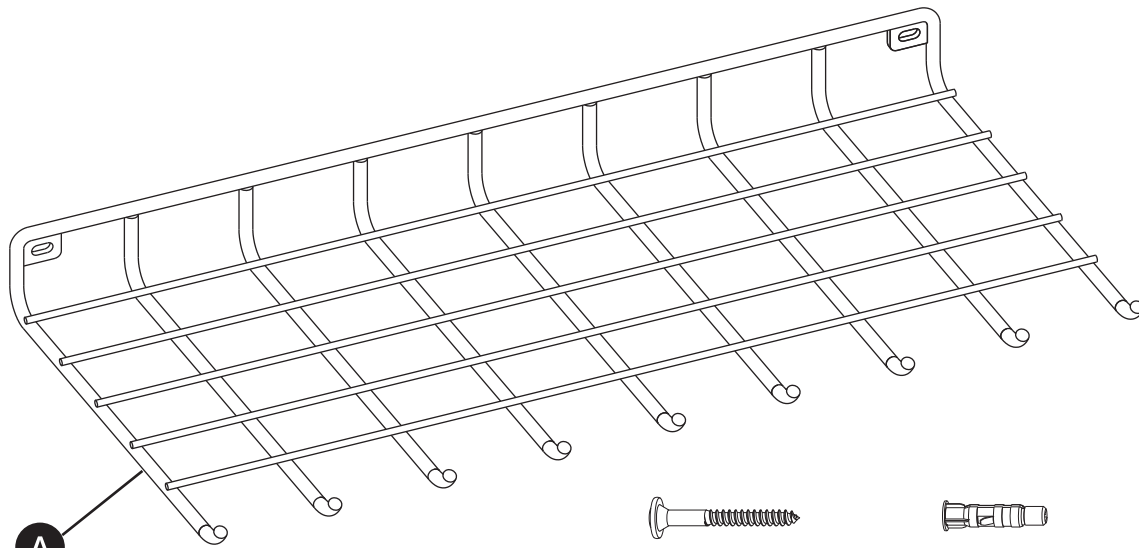
Spire LLC (d/b/a StoreYourBoard) expressly disclaims any and all liability for personal injury, property damage or loss, whether direct, indirect, incidental, resulting from the incorrect mounting, improper use, inadequate maintenance, or neglect of this system.

AFTON UTILITY ORGANIZER PARTS

WEIGHT LIMITS:
40 lbs. when properly installed

REQUIRED TOOLS:

Drill/driver
Stud Finder
3/32" (2.5mm drill bit)
Phillips Screw driver
Level



A
Rack
Qty 1

B
Screws
0.16" x 1.5"
Qty 2

C
Drywall Anchors
Qty 2

INSTALLATION STEPS

1 Use a stud finder and pencil to find and mark the center of the wall studs where you will mount the rack. The holes are 16" apart and will mount on standard stud spacing.

Hold the rack against the wall with a level on top to make sure you are mounting the holes in the correct position

If you don't want to mount to studs, use the same method to mark the locations where you will install the drywall anchors.

2 STUD MOUNTING:

Use a 3/32" (2.5mm) drill bit to drill pilot holes at the hole locations you marked. Use a phillips head screw driver to install the Screws (B) through the mounting holes on the Rack (A) into the studs.

ANCHOR MOUNTING:

Use a 3/16" (5mm) drill bit to drill pilot holes at the hole locations you marked and press the Drywall Anchors (C) into the wall. Use a phillips head screw driver to install the Screws (B) through the mounting holes on the Rack (A) into the Drywall Anchors.

