

INSTALLATION GUIDE

BLAT MODULAR



SCAN THIS QR CODE FOR
THE FULL INSTALL VIDEO.

IMPORTANT INFORMATION

BLAT Modular

Proudly Designed in Virginia, USA
Manufactured for Spire LLC in Vietnam

Quantity: 1

WARNING! The BLAT Modular is NOT intended for use by any person under the age of 18 years old. You must be over the age of 18 to install or use the BLAT Modular Rack.

WARNING! Strictly follow all instructions to avoid an accident, damage to property, personal injury or death.

WARNING! Do not use this product for human suspension. Components can fail causing person to fall, possibly resulting in serious injury or death.

WARNING! When operating system, make sure the area below object is clear of persons. If object comes down too quickly, this can cause an accident.

READ THE ENTIRE USER MANUAL BEFORE INSTALLATION

The User Manual you received with your BLAT Modular provides instructions on how to install and use your BLAT Modular rack. The instructions are written for a person with a basic understanding of tools and procedures. Read the entire manual before proceeding. If you do not understand any portion of the instructions, do not attempt installation, and email info@storeyourboard.com.

CORRECTLY INSTALL THE PRODUCT

Read and follow all instructions carefully.

Failure to properly install and use the BLAT Modular could allow the product to detach from the wall, injuring persons or personal property in the process. Accordingly, it is critical that the BLAT Modular be installed correctly and according to the instructions in the User Manual.

USE TOOLS SAFELY

The procedures in the User Manual may require climbing ladders and/or operating power tools. Make sure you are familiar with these tools and their safety procedures before attempting to use such tools during installation. Always be aware of electrical wires during installation. Failure to do so could result in an electrical shock or death.

WARNING!

Contact with wires can give you a severe electrical shock, which may cause injury or death. If you do not know where wires are, have the work done by an experienced professional.

IMPORTANT INFORMATION

CAUTION

It is the consumer's responsibility to install this system in accordance with all codes, ordinances, and local regulations.

When installing BLAT Modular rack, it is the consumer's responsibility to ensure the structural integrity of the structure it is being mounted to.

The BLAT Modular is intended for the storage of tools and equipment only. Do not use it for any other purpose.

This system has a maximum capacity of 150 lbs per section. Overloading the system could result in damage to property or injury.

Use extreme caution when loading and unloading equipment from this system.

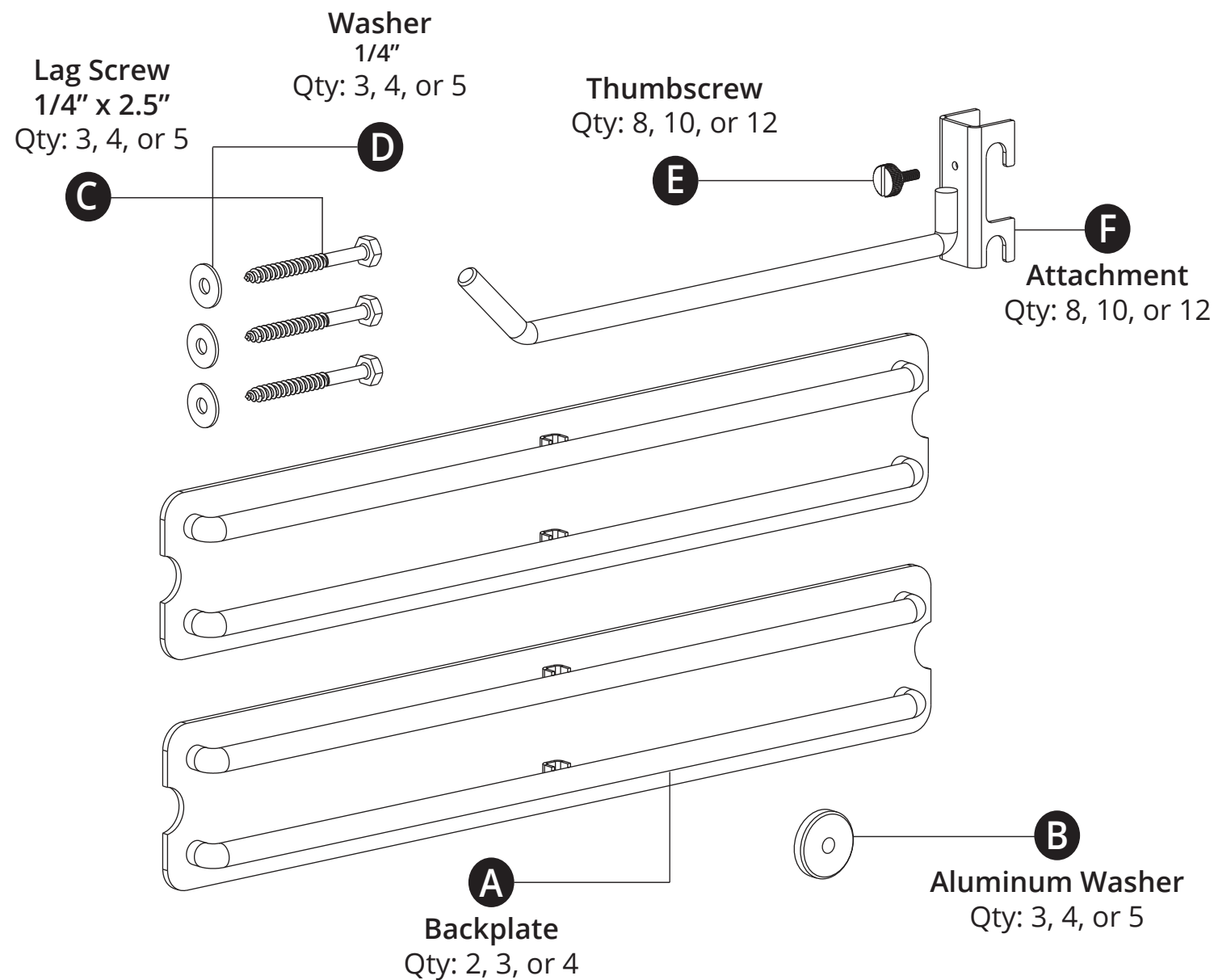
It is the consumer's responsibility to ensure that the system is in proper working condition before loading objects onto the system. Check tightness of all bolts and screws periodically. Failure to properly maintain the system could result in damage to property or injury.

WARNING AND DISCLAIMER

Spire LLC (d/b/a StoreYourBoard) expressly disclaims any and all liability for personal injury, property damage or loss, whether direct, indirect, incidental, resulting from the incorrect mounting, improper use, inadequate maintenance, or neglect of this system.

INSTALLATION

NOTE: The quantity of the components below will vary based off the kit that was ordered.



RECOMMENDED TOOLS:

Drill/Driver
Drill bits
12mm Socket/Driver
Level
Tape measure
Pencil
Stud finder

WEIGHT LIMITS:

150 lbs. per backplate (A)
30lbs per attachment (F)

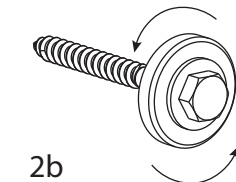
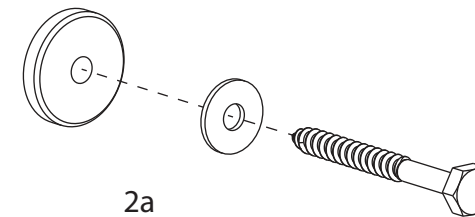
NOTE: BLAT Modular must be mounted to a wall stud to achieve the advertised weight limit

1 Mark Stud Locations

- Use a stud finder to locate a single wall stud where you want to mount the rack. This stud will be the middle section of the rack so ensure you have adequate spacing on either side for the remaining Backplates (A).
- Mark the center of the stud with a pencil at the height you want the rack. Ensure that you are in the middle of the stud for best results.

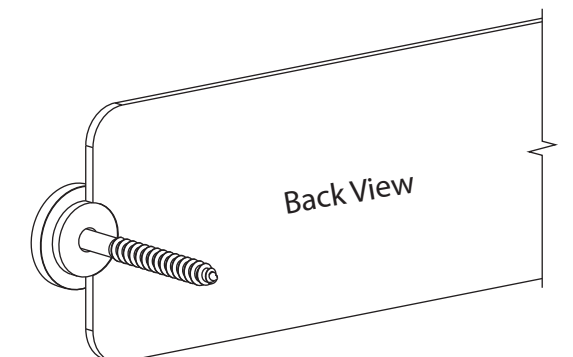
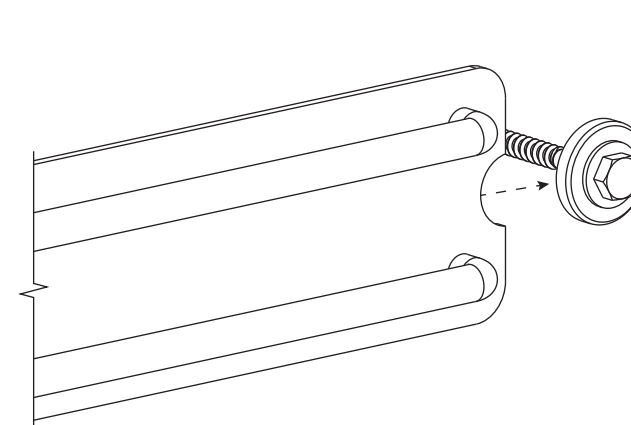
2 Drill and Install Aluminum Washer

- Line the Aluminum Washer's (B) center hole with the mark you made in the center of the stud and make another mark to form an intersection.
- Using a 3/16" drill, drill a hole at the intersection.
- Using a 12mm socket, screw in a Lag Screw (C) and Washer (D) until snug (Figure 2a).
- Back off the screw one to two turns (Figure 2b).



3 Installing Backplate

- Slide one Backplate (A) underneath the Aluminum Washer (B). If it doesn't fit, you may need to loosen the Lag Screw some more.
- Ensure that the radius of the Backplate meets with the mating radius on the Aluminum Washer and tighten the Lag Screw. The Backplate should stay without falling but will still allow for the leveling adjustments in the next step.



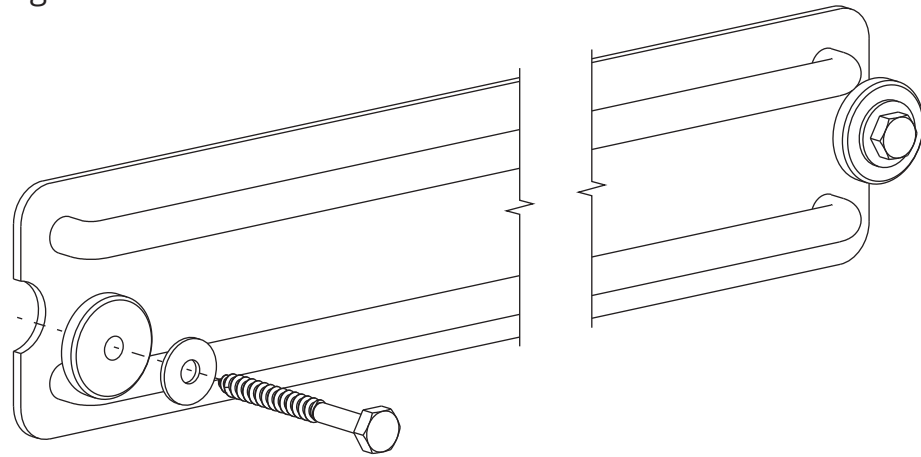
INSTALLATION

NOTE: BLAT Modular must be mounted to a wall stud to achieve the advertised weight limit

4

Installing Backplate cont.

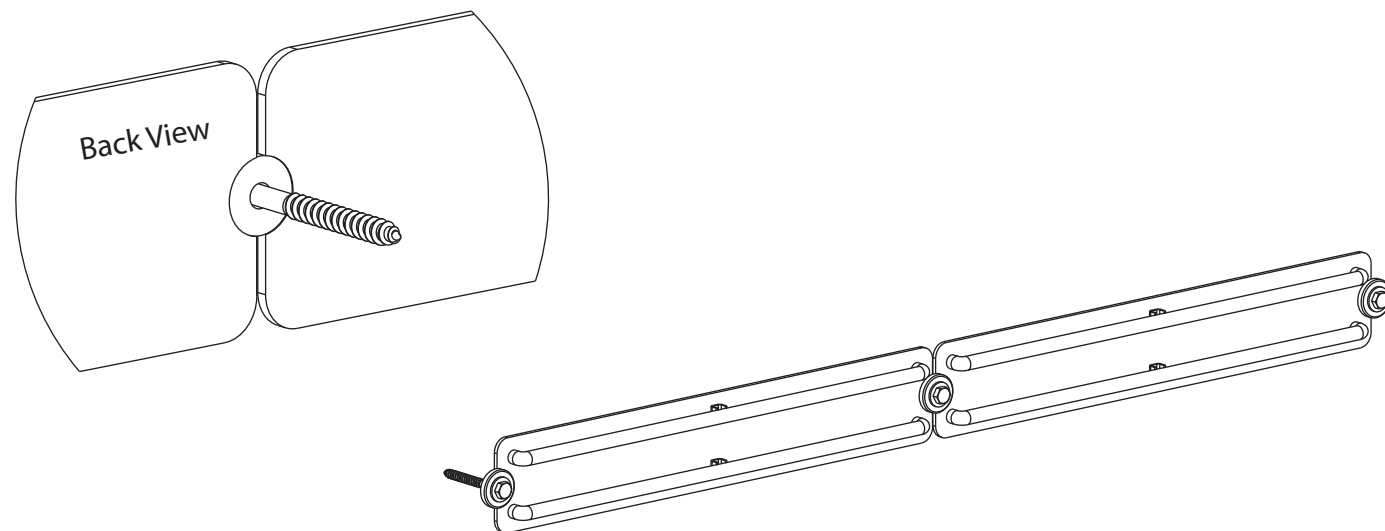
- Use a level to ensure the backplate is parallel to the ground.
- Mate the smaller radius of the Aluminum Washer (B) to the semi-circular cutout in the backplate and mark the center hole with a pencil.
- Using a 3/16" drill bit, make a pilot hole at the center hole mark.
- Using a Lag Screw (C) and Washer (D), secure the Aluminum Washer (B) to the Backplate until snug.



5

Installing the remaining Backplates.

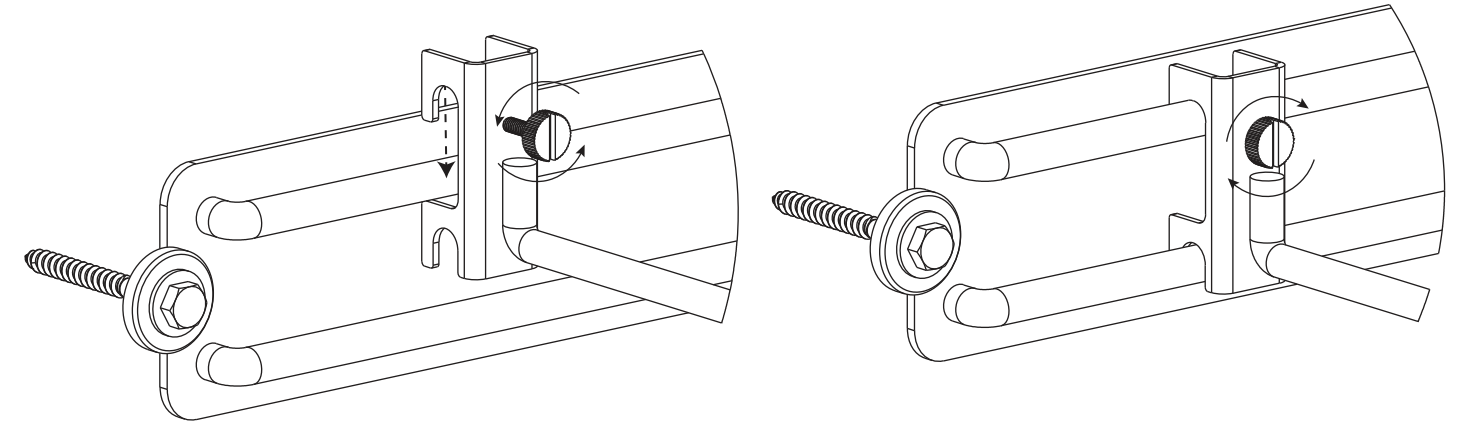
- Back off the Lag Screw (C) and slide the Backplate (A) underneath the Aluminum Washer (B) like in Step 2.
- Re-Tighten and repeat Step 3 and Step 4 for any additional Backplates (A).



6

Installing Attachments

- Back off the Thumbscrew (E).
- Line up the slot in the Attachment (F) with the top bar on the Backplate (A).
- Slide the Attachment (F) down and tighten the Thumbscrew (E).
- For fine positioning, slightly loosen the thumbscrew, position the attachment, and retighten.



Tips & Maintenance

- This system works off 16" stud spacing. If your studs are spaced at a different width, you can screw a 2" x 4" into the studs and mount this system onto the face of the 2" x 4".
- Periodically check the tightness of the lag screws. Re-tighten if necessary.
- An Attachment can be placed over the center stiffening joints.