

INSTALLATION GUIDE

BLAT TOOL WOOD

IMPORTANT INFORMATION

BLAT Tool Wood

Manufactured for Spire LLC in Vietnam

Quantity: 1

WARNING! The BLAT Tool is NOT intended for use by any person under the age of 18 years old. You must be over the age of 18 to install or use the BLAT Tool.

WARNING! Strictly follow all instructions to avoid an accident, damage to property, personal injury or death.

WARNING! Do not use this product for human suspension. Components can fail causing person to fall, possibly resulting in serious injury or death.

WARNING! When operating system, make sure the area below object is clear of persons. If object comes down too quickly, this can cause an accident.

READ THE ENTIRE USER MANUAL BEFORE INSTALLATION

The User Manual you received with your BLAT Tool provides instructions on how to install and use your BLAT Tool. The instructions are written for a person with a basic understanding of tools and procedures. Read the entire manual before proceeding. If you do not understand any portion of the instructions, do not attempt installation, and email info@storeyourboard.com.

CORRECTLY INSTALL THE PRODUCT

Read and follow all instructions carefully.

Failure to properly install and use the BLAT Tool could allow the product to detach from the wall, injuring persons or personal property in the process. Accordingly, it is critical that the BLAT Tool be installed correctly and according to the instructions in the User Manual.

USE TOOLS SAFELY

The procedures in the User Manual may require climbing ladders and/or operating power tools. Make sure you are familiar with these tools and their safety procedures before attempting to use such tools during installation. Always be aware of electrical wires during installation. Failure to do so could result in an electrical shock or death.

WARNING!

Contact with wires can give you a severe electrical shock, which may cause injury or death. If you do not know where wires are, have the work done by an experienced professional.

IMPORTANT INFORMATION

CAUTION

It is the consumer's responsibility to install this system in accordance with all codes, ordinances, and local regulations.

When installing BLAT Tool, it is the consumer's responsibility to ensure the structural integrity of the structure it is being mounted to.

The BLAT Tool is intended for the storage of tools only. Do not use it for any other purpose.

This system has a maximum capacity of 125 lbs. per unit. Overloading the system could result in damage to property or injury.

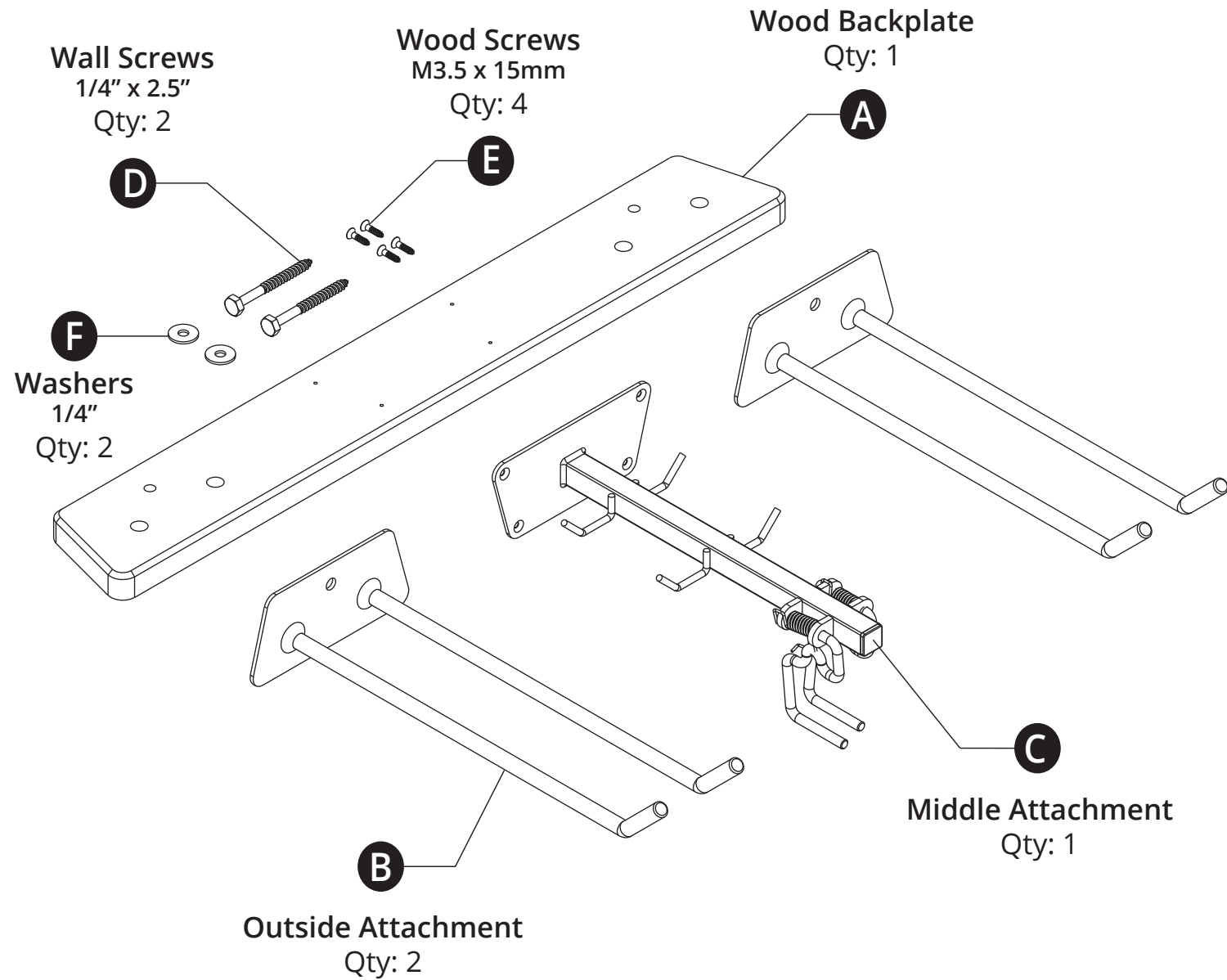
Use extreme caution when loading and unloading equipment from this system.

It is the consumer's responsibility to ensure that the system is in proper working condition before loading objects onto the system. Check tightness of all bolts and screws periodically. Failure to properly maintain the system could result in damage to property or injury.

WARNING AND DISCLAIMER

Spire LLC (d/b/a StoreYourBoard) expressly disclaims any and all liability for personal injury, property damage or loss, whether direct, indirect, incidental, resulting from the incorrect mounting, improper use, inadequate maintenance, or neglect of this system.

INSTALLATION



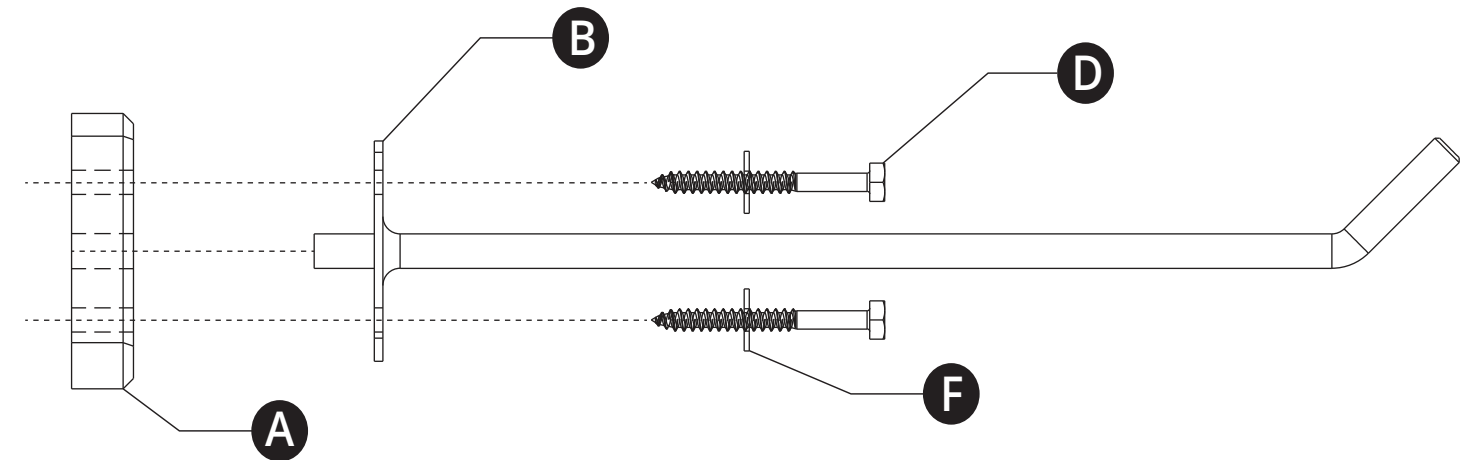
NOTE: BLAT Tool must be mounted to a wall stud to achieve the advertised weight limit

1 Use a stud finder to find two adjacent wall studs where you want to mount the product and mark the locations with a pencil. This rack uses standard stud spacing of 16\".

2 Hold the Wood Backplate (A) up to the wall where you want to mount it and align the mounting holes with the stud locations. Use a level to ensure the backplate sits flat to the ground and mark the mounting holes along the stud.

3 Use a 3/16 inch (4.7mm) drill bit to drill pilot holes into the stud where you marked them.

4 Insert the Outside Attachments (B) into the two holes in the Wood Backplate (A). Next, place a Washer (F) over each Wall Screw (D) and screw into the holes that were drilled in step 3. Use a level before final tightening to ensure the rack sits level to the floor.

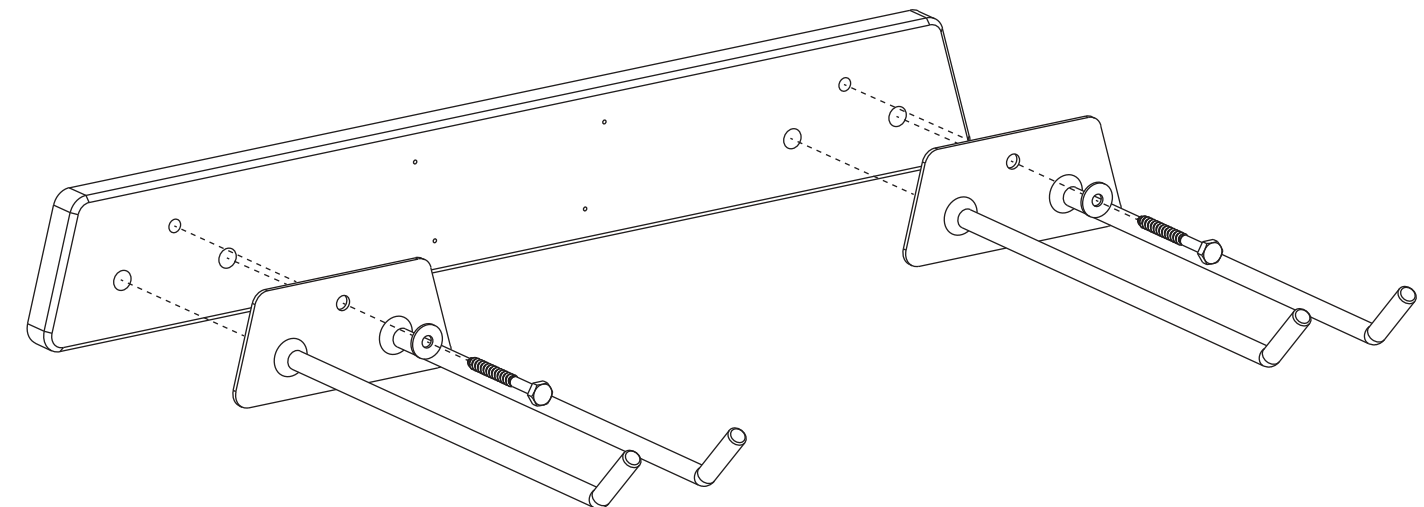


RECOMMENDED TOOLS:

- Drill/Driver
- Drill bits
- 12mm Socket/Driver
- Level
- Tape measure
- Pencil
- Stud finder

WEIGHT LIMITS:

- 50 lbs. max per outside attachment
- 25 lbs. max per middle attachment



INSTALLATION

5

Screw the Middle Attachment (C) to the Wood Backplate (A) with the 4 included Wood Screws (E) using a phillips screwdriver.

