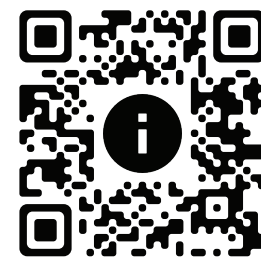


INSTALLATION GUIDE FREESTANDING GUITAR RACK



SCAN FOR INSTALL VIDEO

IMPORTANT INFORMATION

Freestanding Guitar Rack

Manufactured for Spire LLC in Vietnam

Quantity: 1

WARNING! The Freestanding Guitar Rack is NOT intended for use by any person under the age of 18 years old. You must be over the age of 18 to install or use the Freestanding Guitar Rack.

WARNING! Strictly follow all instructions to avoid an accident, damage to property, personal injury or death.

WARNING! Do not use this product for human suspension. Components can fail causing person to fall, possibly resulting in serious injury or death.

WARNING! When operating system, make sure the area below object is clear of persons. If object comes down too quickly, this can cause an accident.

READ THE ENTIRE USER MANUAL BEFORE INSTALLATION

The User Manual you received with your Freestanding Guitar Rack provides instructions on how to install and use your Freestanding Guitar Rack. The instructions are written for a person with a basic understanding of tools and procedures. Read the entire manual before proceeding. If you do not understand any portion of the instructions, do not attempt installation, and email support@tealtriangle.com.

CORRECTLY INSTALL THE PRODUCT

Read and follow all instructions carefully.

Failure to properly install and use the Freestanding Guitar Rack could allow the product to dismantle or tip over, injuring persons or personal property in the process. Accordingly, it is critical that the Freestanding Guitar Rack be installed correctly and according to the instructions in the User Manual.

USE TOOLS SAFELY

The procedures in the User Manual may require climbing ladders and/or operating power tools. Make sure you are familiar with these tools and their safety procedures before attempting to use such tools during installation. Always be aware of electrical wires during installation. Failure to do so could result in an electrical shock or death.

WARNING!

Contact with wires can give you a severe electrical shock, which may cause injury or death. If you do not know where wires are, have the work done by an experienced professional.

IMPORTANT INFORMATION

CAUTION

It is the consumer's responsibility to install this system in accordance with all codes, ordinances, and local regulations.

When installing the Freestanding Guitar Rack, it is the consumer's responsibility to ensure the structural integrity of the structure it is being mounted to.

The Freestanding Guitar Rack is intended for the storage of guitars and accessories only. Do not use it for any other purpose.

This system has a maximum capacity of 160 lbs. Overloading the system could result in damage to property or injury.

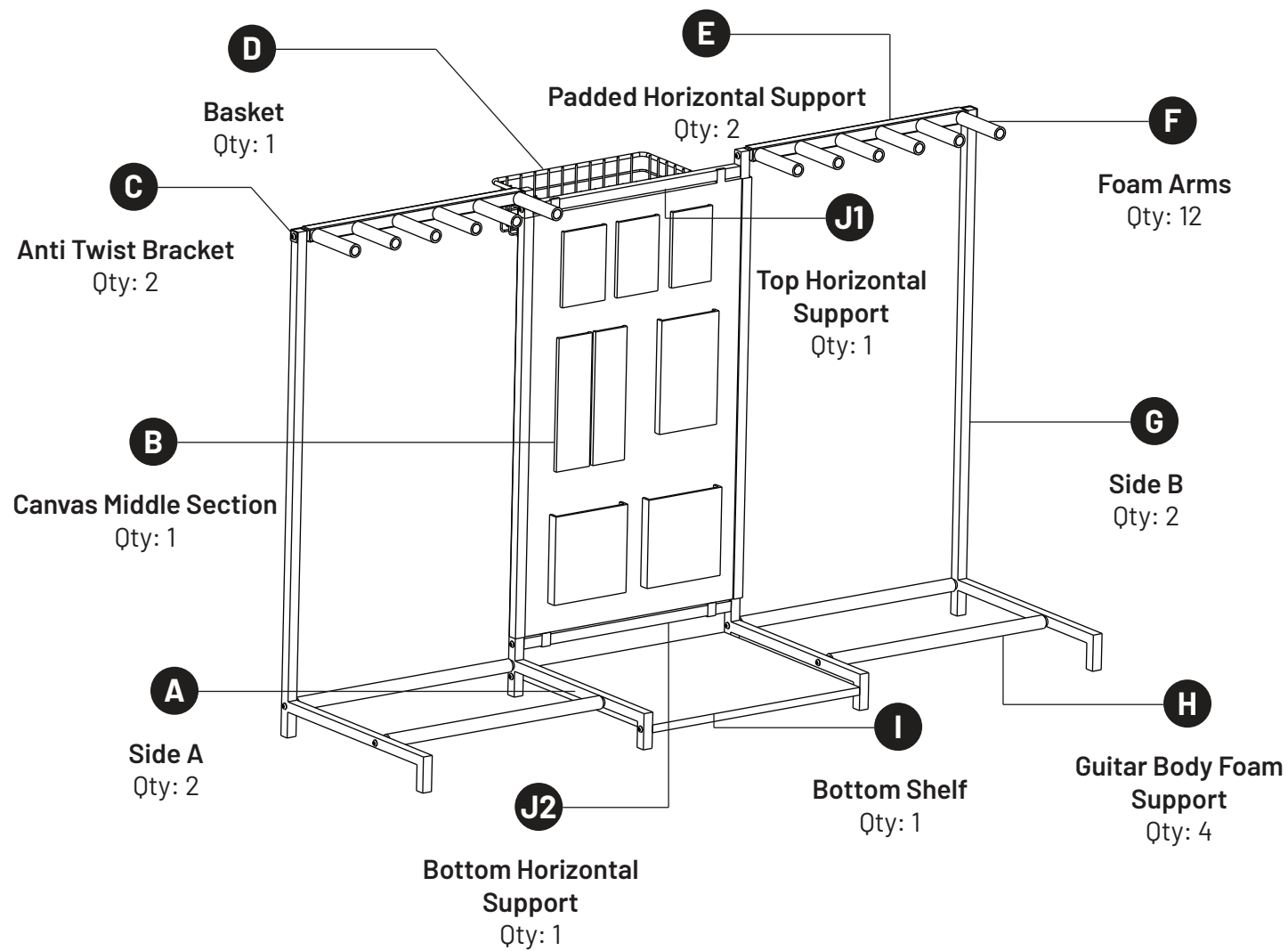
Use extreme caution when loading and unloading equipment from this system.

It is the consumer's responsibility to ensure that the system is in proper working condition before loading objects onto the system. Check tightness of all bolts and screws periodically. Failure to properly maintain the system could result in damage to property or injury.

WARNING AND DISCLAIMER

Spire LLC (d/b/a StoreYourBoard) expressly disclaims any and all liability for personal injury, property damage or loss, whether direct, indirect, incidental, resulting from the incorrect mounting, improper use, inadequate maintenance, or neglect of this system.

INSTALLATION

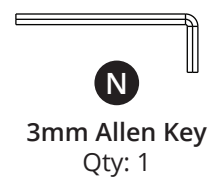


INCLUDED HARDWARE/TOOLS:



RECOMMENDED TOOLS:

3mm Allen Key (Included)
 10mm wrench
 Phillips Screwdriver

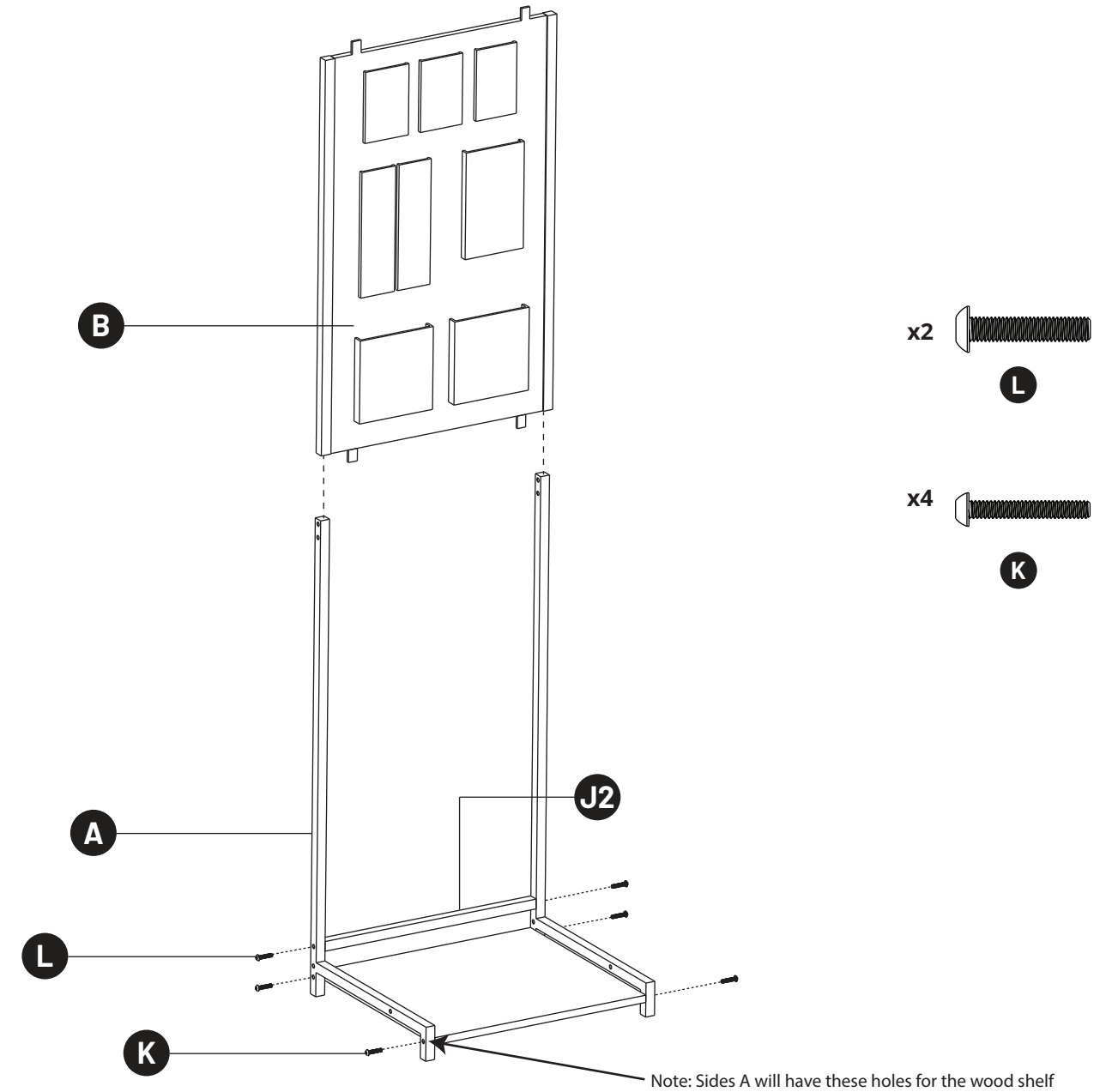


WEIGHT LIMITS:

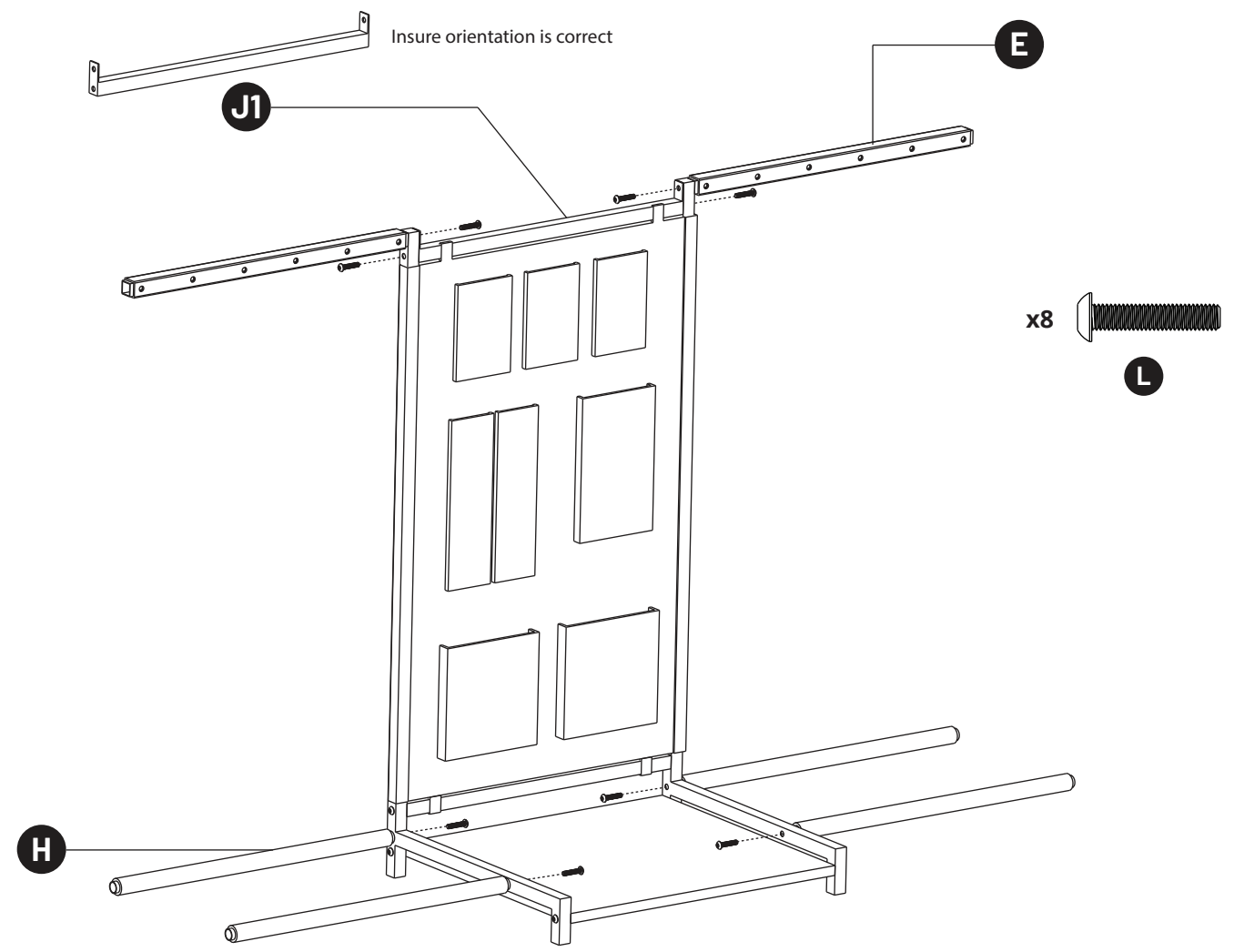
50 lbs. Per side (100lbs total)
 30lbs. Bottom Shelf
 30lbs Canvas Middle Section

1

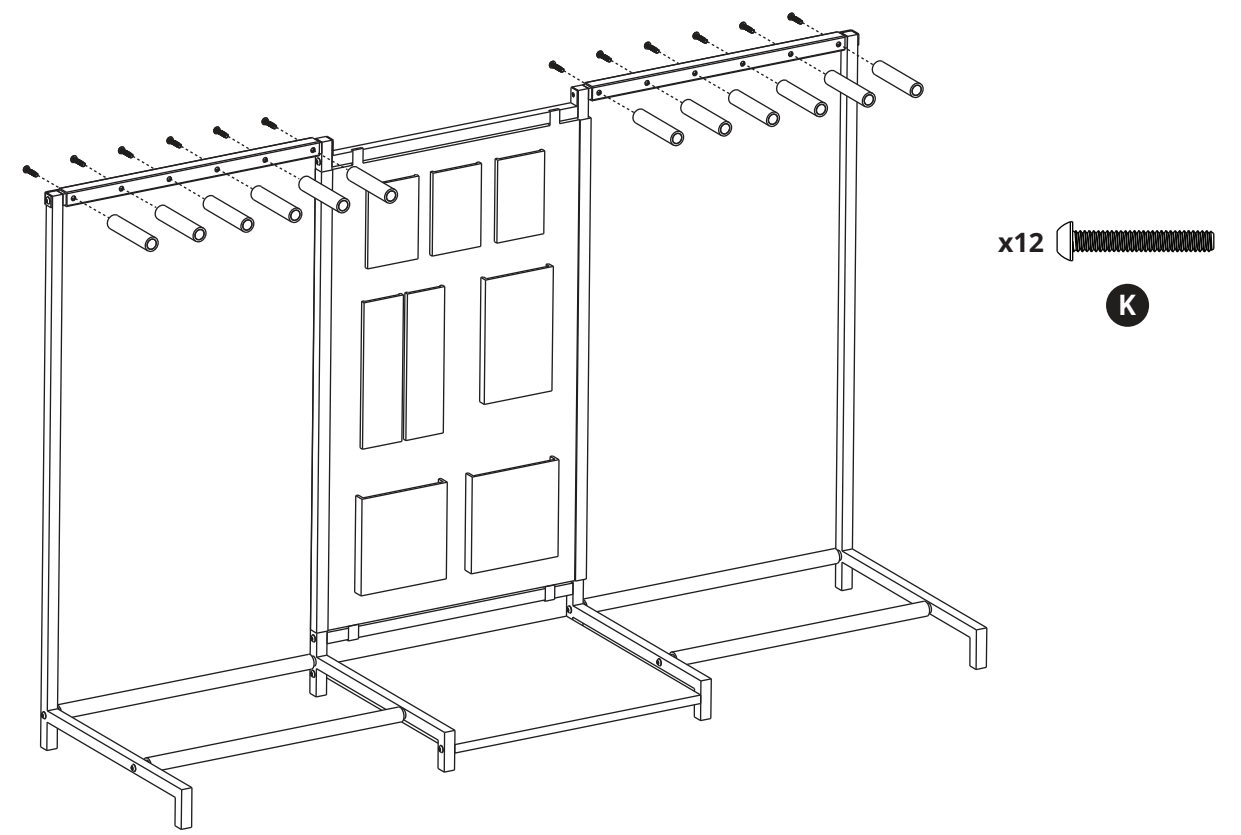
Start by assembling the middle section. Screw the Wood Bottom Shelf (I) into both Sides A using the smaller M4 screw (K). Slide the Canvas Section (B) over the posts of part A.



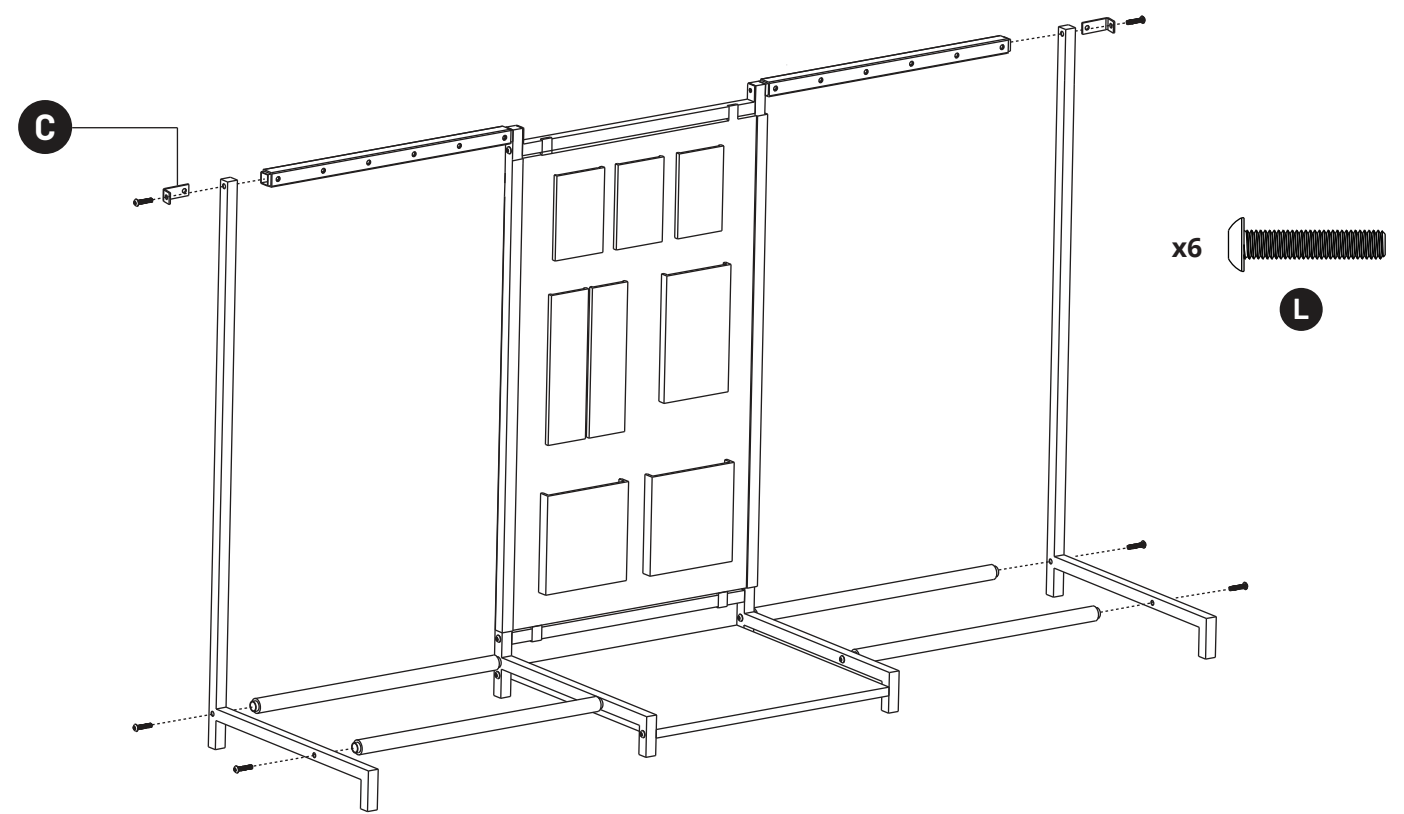
2



4



3



5

Make sure the Canvas Middle Section is pulled secured and add the basket to the rear of the rack. Tighten up the thumbscrews (M) to secure.

