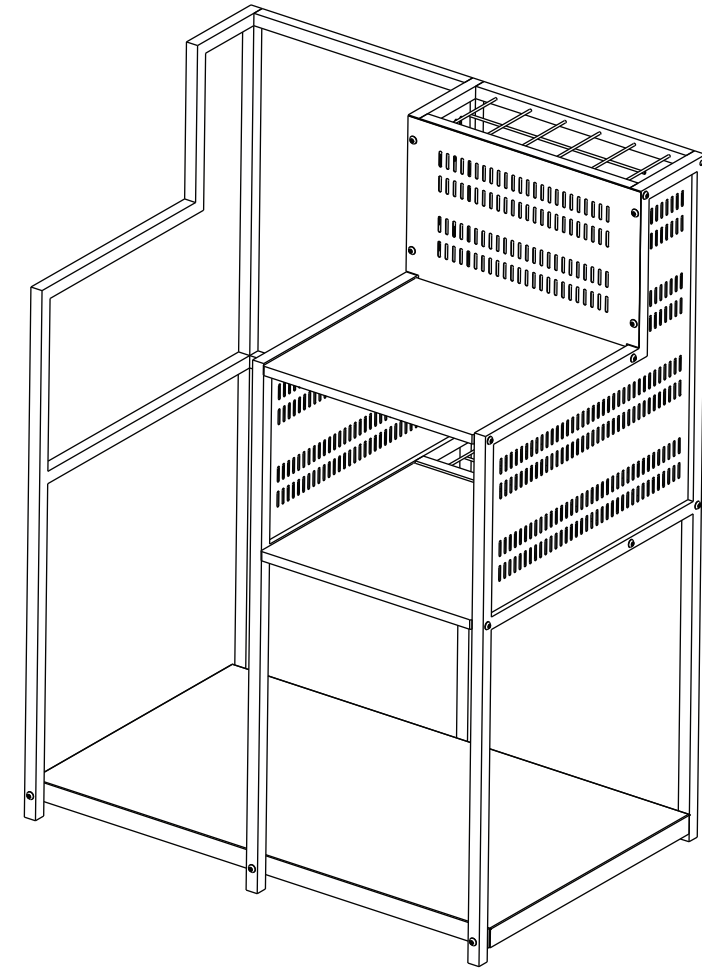


▲ TEAL TRIANGLE



INSTALLATION GUIDE FREESTANDING GOLF RACK

Questions or Concerns?

Contact us at:  support@tealtriangle.com

IMPORTANT INFORMATION

Freestanding Golf Rack

Manufactured for Spire LLC in Vietnam

Quantity: 1

WARNING! The Freestanding Golf Rack is NOT intended for use by any person under the age of 18 years old. You must be over the age of 18 to install or use the Freestanding Golf Rack.

WARNING! Strictly follow all instructions to avoid an accident, damage to property, personal injury or death.

WARNING! Do not use this product for human suspension. Components can fail causing person to fall, possibly resulting in serious injury or death.

WARNING! When operating system, make sure the area below object is clear of persons. If object comes down too quickly, this can cause an accident.

READ THE ENTIRE USER MANUAL BEFORE INSTALLATION

The User Manual you received with your Freestanding Golf Rack provides instructions on how to install and use your Freestanding Golf Rack. The instructions are written for a person with a basic understanding of tools and procedures. Read the entire manual before proceeding. If you do not understand any portion of the instructions, do not attempt installation, and email support@tealtriangle.com.

CORRECTLY INSTALL THE PRODUCT

Read and follow all instructions carefully.

Failure to properly install and use the Freestanding Golf Rack could allow the product to disassemble or tip over, injuring persons or personal property in the process. Accordingly, it is critical that the Freestanding Golf Rack be installed correctly and according to the instructions in the User Manual.

USE TOOLS SAFELY

The procedures in the User Manual may require climbing ladders and/or operating power tools. Make sure you are familiar with these tools and their safety procedures before attempting to use such tools during installation. Always be aware of electrical wires during installation. Failure to do so could result in an electrical shock or death.

WARNING!

Contact with wires can give you a severe electrical shock, which may cause injury or death. If you do not know where wires are, have the work done by an experienced professional.

IMPORTANT INFORMATION

CAUTION

It is the consumer's responsibility to install this system in accordance with all codes, ordinances, and local regulations.

When installing the Freestanding Golf Rack, it is the consumer's responsibility to ensure the structural integrity of the structure it is being mounted to.

The Freestanding Golf Rack is intended for the storage of sporting goods only. Do not use it for any other purpose.

This system has a maximum capacity of 200 lbs. Overloading the system could result in damage to property or injury.

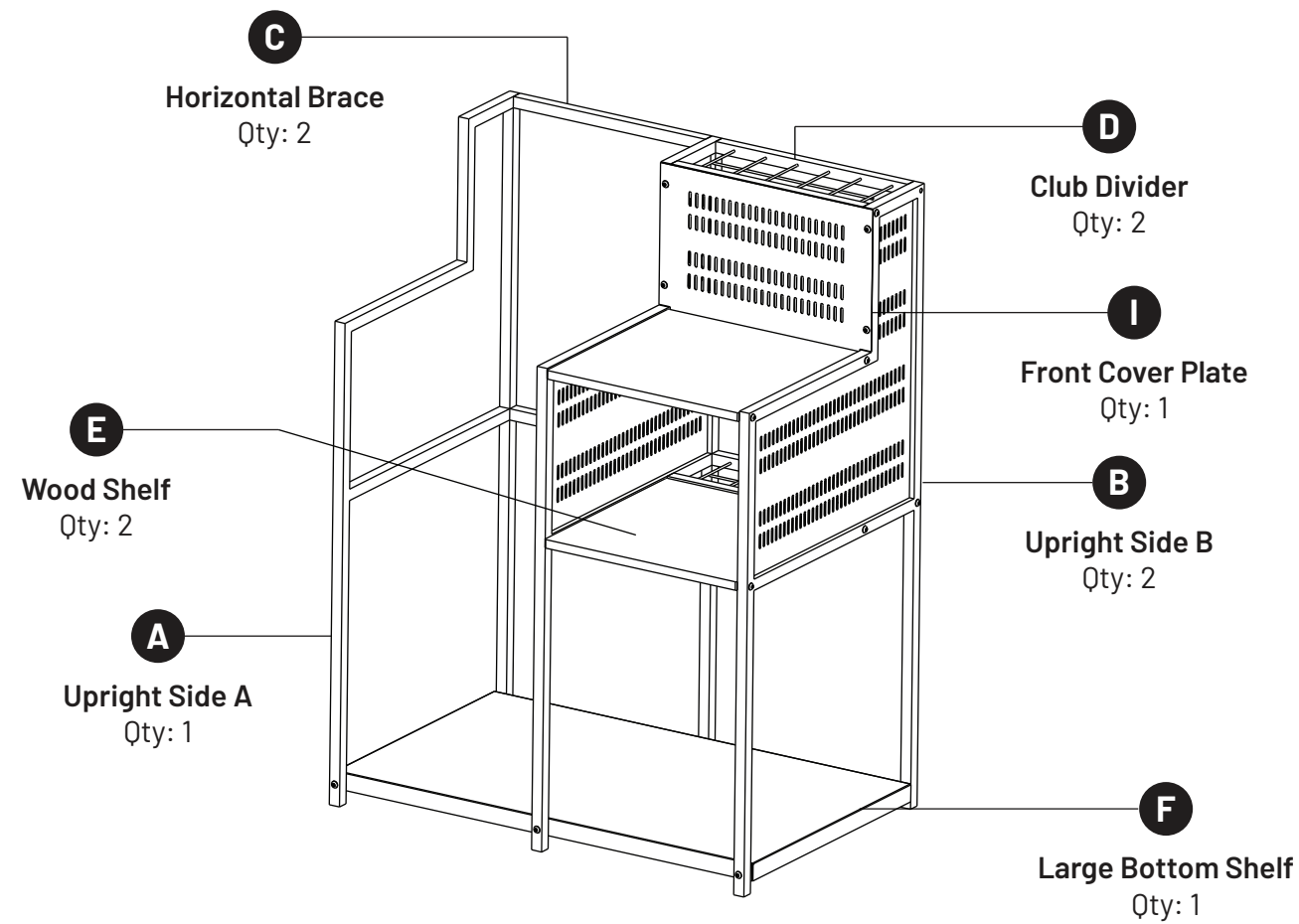
Use extreme caution when loading and unloading equipment from this system.

It is the consumer's responsibility to ensure that the system is in proper working condition before loading objects onto the system. Check tightness of all bolts and screws periodically. Failure to properly maintain the system could result in damage to property or injury.

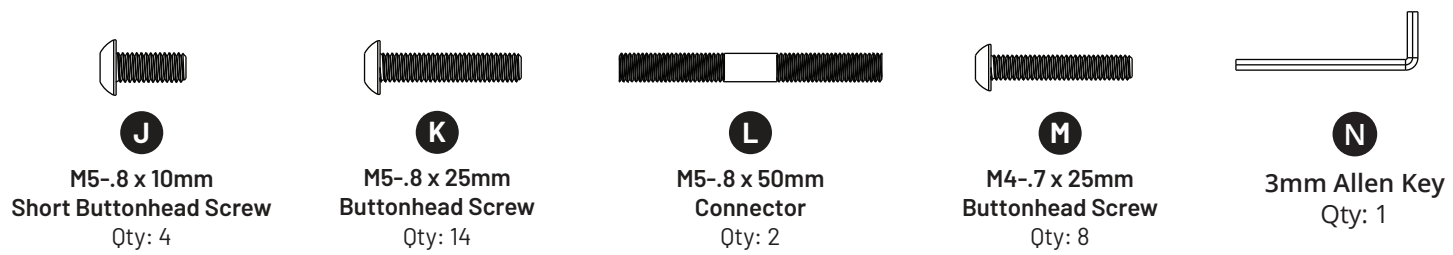
WARNING AND DISCLAIMER

Spire LLC (d/b/a StoreYourBoard) expressly disclaims any and all liability for personal injury, property damage or loss, whether direct, indirect, incidental, resulting from the incorrect mounting, improper use, inadequate maintenance, or neglect of this system.

INSTALLATION



INCLUDED HARDWARE/TOOLS:



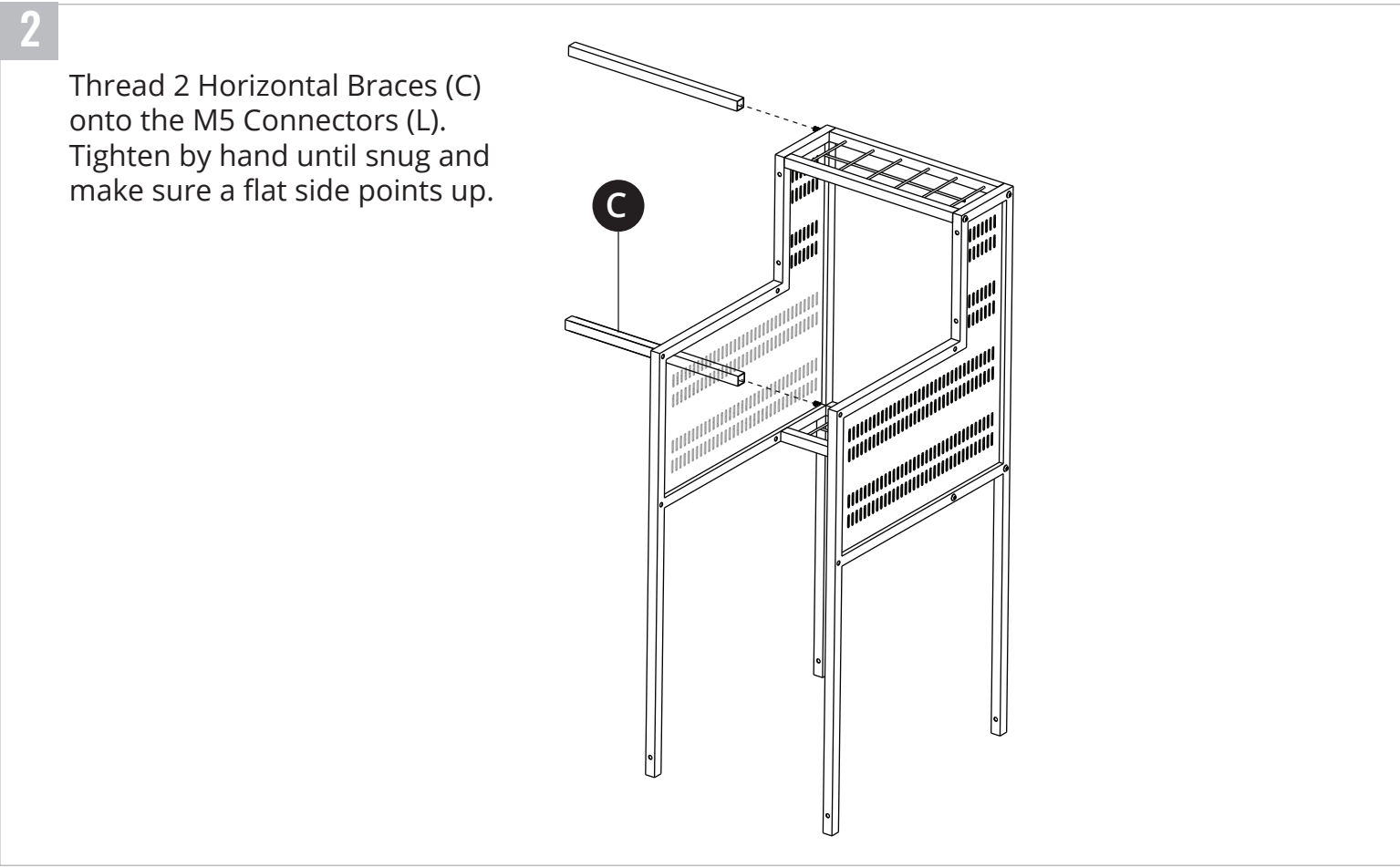
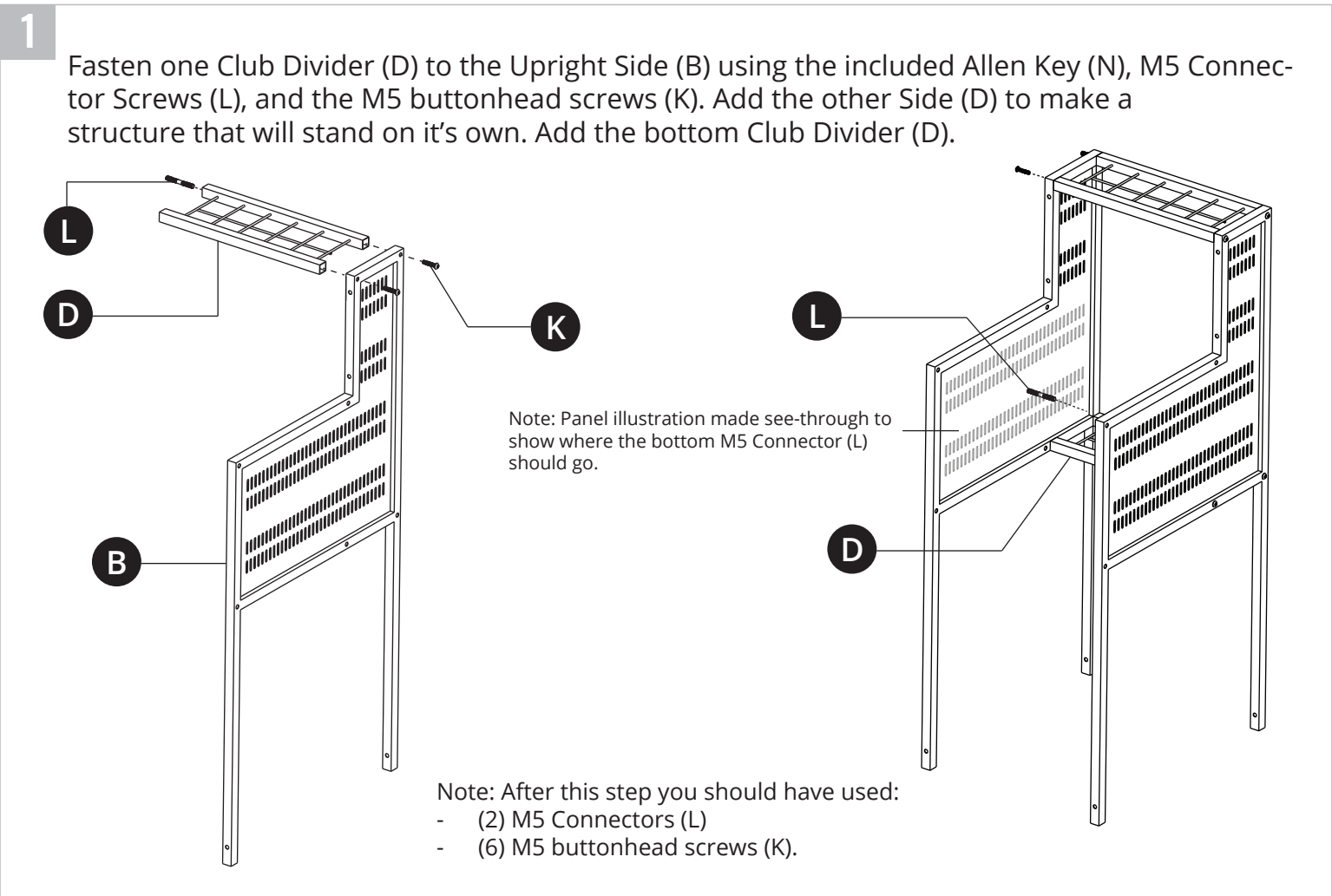
RECOMMENDED TOOLS:

3mm Allen Key (Included)

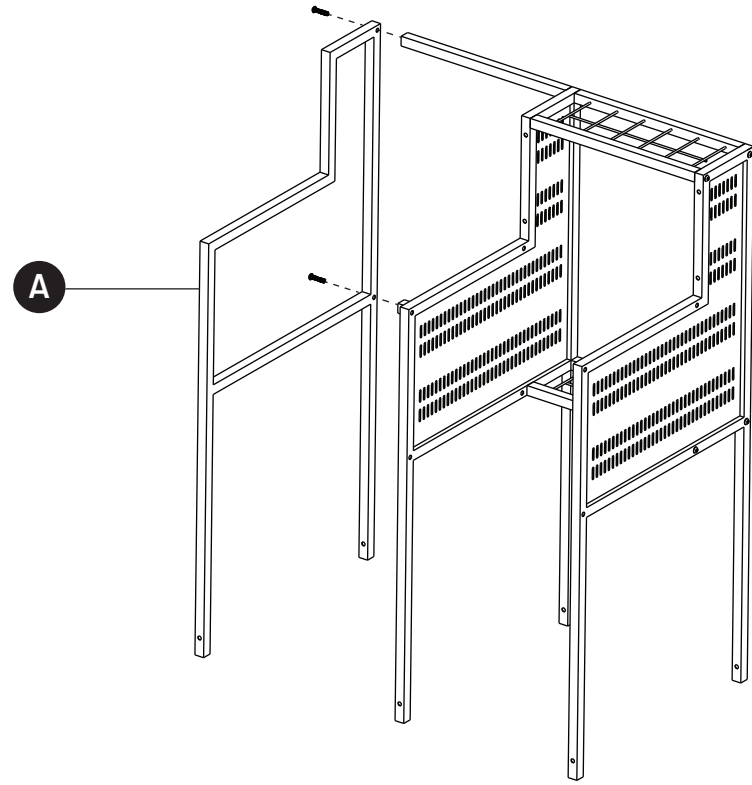
WEIGHT LIMITS:

50 lbs. Per Wood Shelf (E)
100 lbs. on Bottom Shelf (F)
200 lbs. total system weight

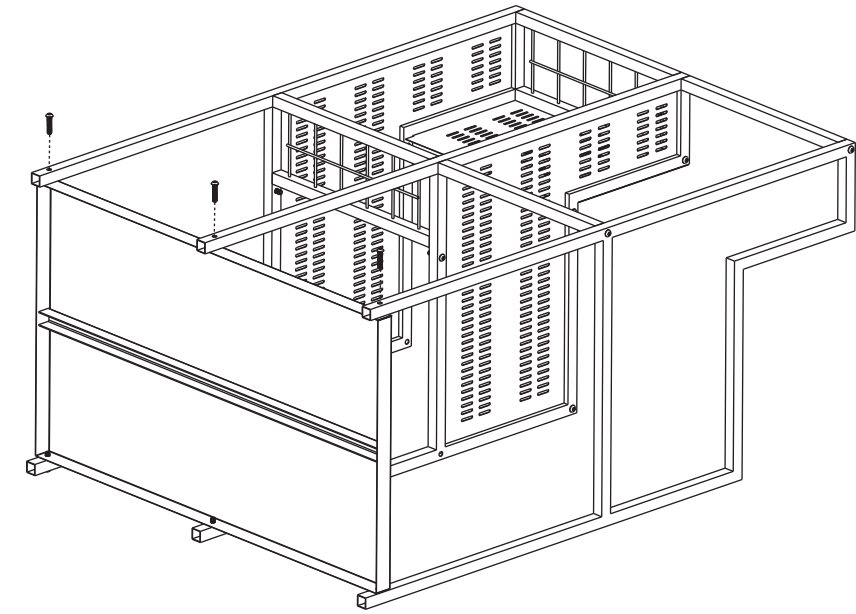
*weight must be evenly distributed



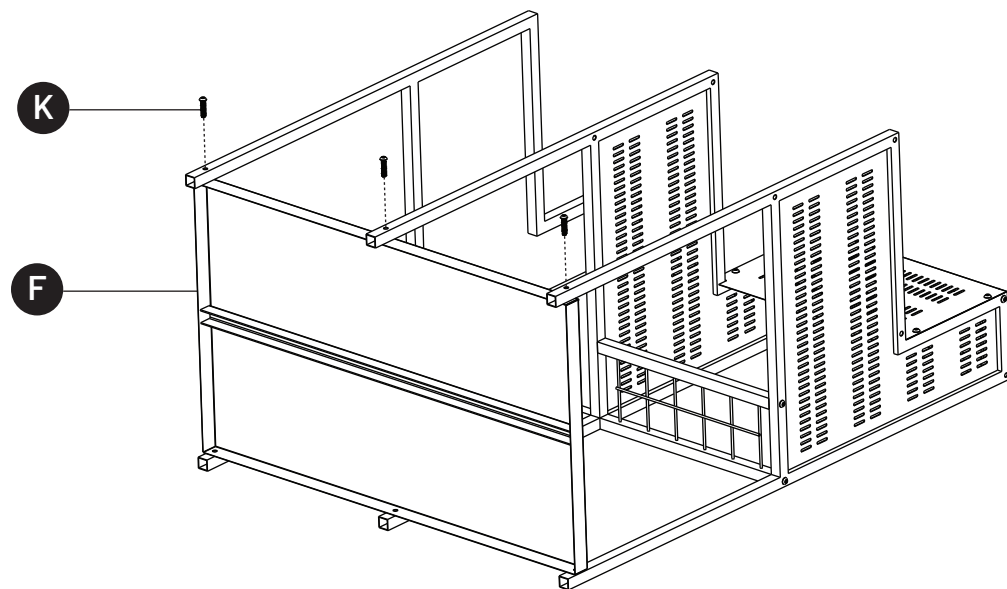
3 Add Upright Side (A) and affix with M5 x 25 Buttonhead Screws (K).



5 Flip the assembly onto the front and repeat step 4 to fully constrain the bottom shelves.



4 For this next step, you will want to lay the assembly on it's back. You can use the cardboard from the product packaging to protect the surface. Slide the Large Bottom Shelf (F) between the legs of the uprights and secure with three M5 x 25 screws (K).



6 Stand the assembly and attach the Wood Shelves (E) using the M4 x 25mm screws (M). Attach the Front Cover Plate (I) using the remaining M5 x 12mm screws (J).

