

## INSTALLATION GUIDE FREESTANDING TOOL RACK

# IMPORTANT INFORMATION

---

Freestanding Tool Rack

Manufactured for Spire LLC in Vietnam

Quantity: 1

**WARNING!** The Freestanding Tool Rack is NOT intended for use by any person under the age of 18 years old. You must be over the age of 18 to install or use the Freestanding Tool Rack.

**WARNING!** Strictly follow all instructions to avoid an accident, damage to property, personal injury or death.

**WARNING!** Do not use this product for human suspension. Components can fail causing person to fall, possibly resulting in serious injury or death.

**WARNING!** When operating system, make sure the area below object is clear of persons. If object comes down too quickly, this can cause an accident.

## **READ THE ENTIRE USER MANUAL BEFORE INSTALLATION**

The User Manual you received with your Freestanding Tool Rack provides instructions on how to install and use your Freestanding Tool Rack. The instructions are written for a person with a basic understanding of tools and procedures. Read the entire manual before proceeding. If you do not understand any portion of the instructions, do not attempt installation, and email [support@tealtriangle.com](mailto:support@tealtriangle.com).

## **CORRECTLY INSTALL THE PRODUCT**

Read and follow all instructions carefully.

Failure to properly install and use the Freestanding Tool Rack could allow the product to dismantle or tip over, injuring persons or personal property in the process. Accordingly, it is critical that the Freestanding Tool Rack be installed correctly and according to the instructions in the User Manual.

## **USE TOOLS SAFELY**

The procedures in the User Manual may require climbing ladders and/or operating power tools. Make sure you are familiar with these tools and their safety procedures before attempting to use such tools during installation. Always be aware of electrical wires during installation. Failure to do so could result in an electrical shock or death.

## **WARNING!**

Contact with wires can give you a severe electrical shock, which may cause injury or death. If you do not know where wires are, have the work done by an experienced professional.

# IMPORTANT INFORMATION

---

## **CAUTION**

It is the consumer's responsibility to install this system in accordance with all codes, ordinances, and local regulations.

When installing the Freestanding Tool Rack, it is the consumer's responsibility to ensure the structural integrity of the structure it is being mounted to.

The Freestanding Tool Rack is intended for the storage of tools and lawn equipment only. Do not use it for any other purpose.

This system has a maximum capacity of 250 lbs. Overloading the system could result in damage to property or injury.

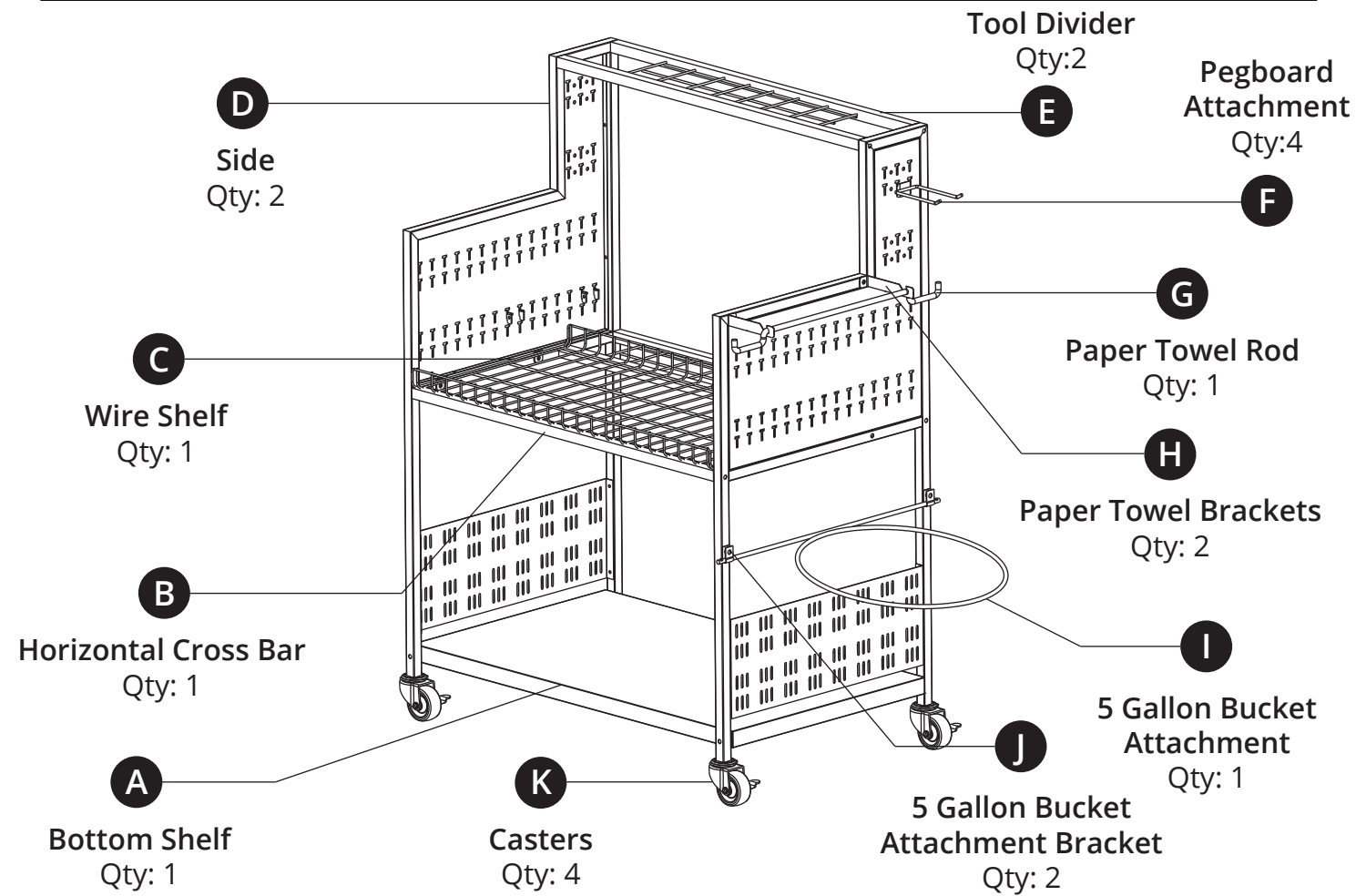
Use extreme caution when loading and unloading equipment from this system.

It is the consumer's responsibility to ensure that the system is in proper working condition before loading objects onto the system. Check tightness of all bolts and screws periodically. Failure to properly maintain the system could result in damage to property or injury.

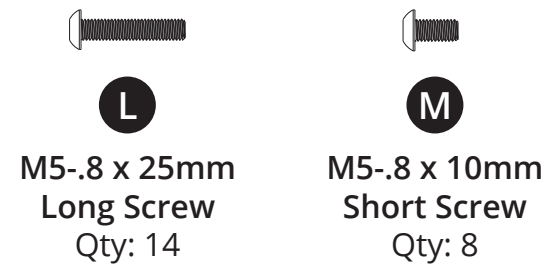
## **WARNING AND DISCLAIMER**

Spire LLC (d/b/a StoreYourBoard) expressly disclaims any and all liability for personal injury, property damage or loss, whether direct, indirect, incidental, resulting from the incorrect mounting, improper use, inadequate maintenance, or neglect of this system.

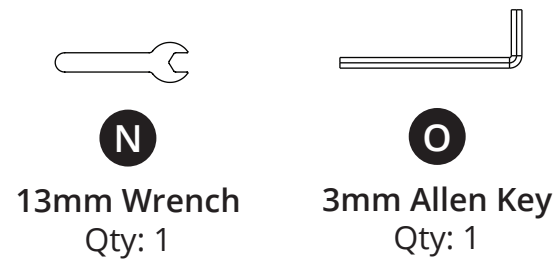
# INSTALLATION



## INCLUDED HARDWARE:



## INCLUDED TOOLS:



## RECOMMENDED TOOLS:

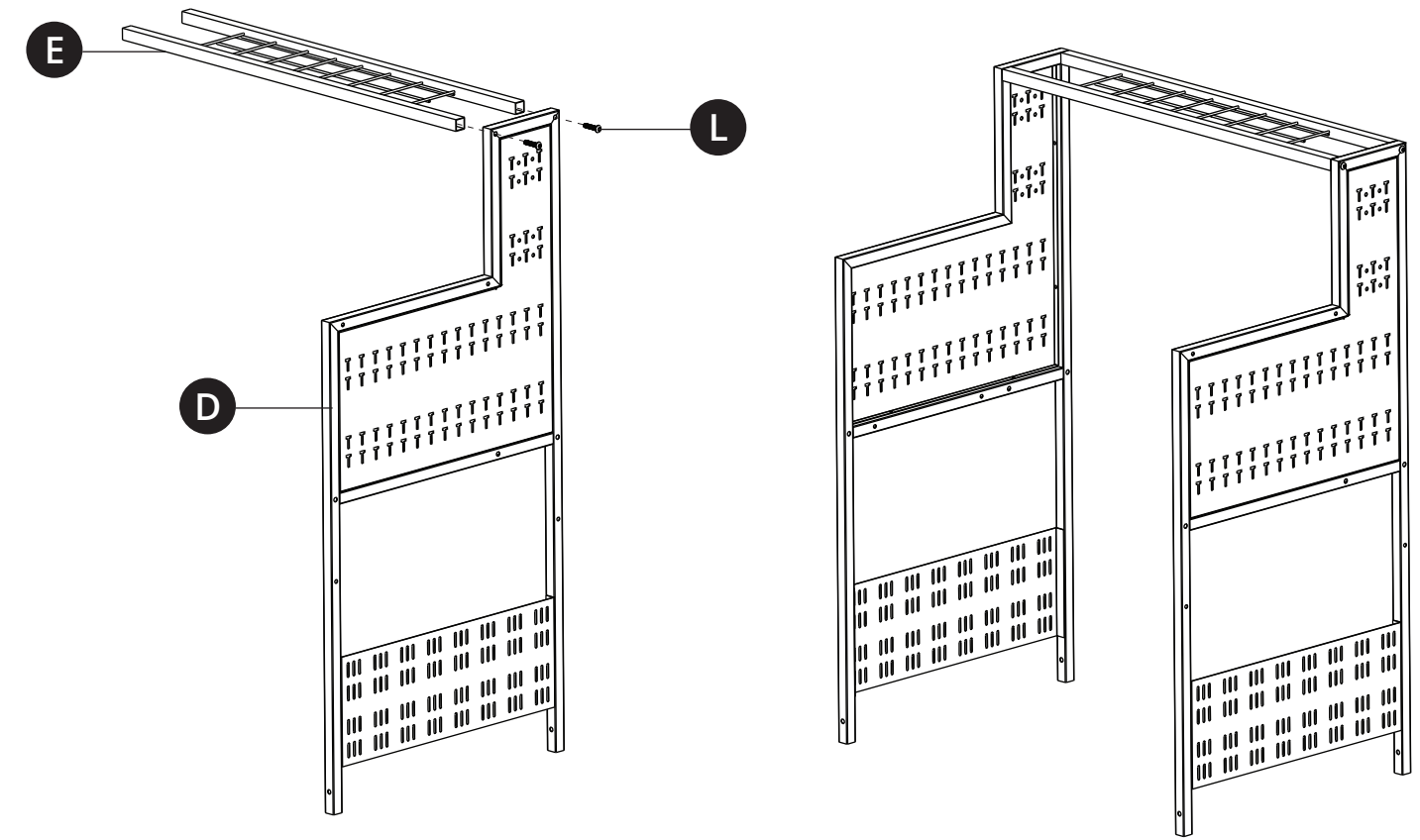
Allen Key (Included)  
13mm wrench (included)

## WEIGHT LIMITS:

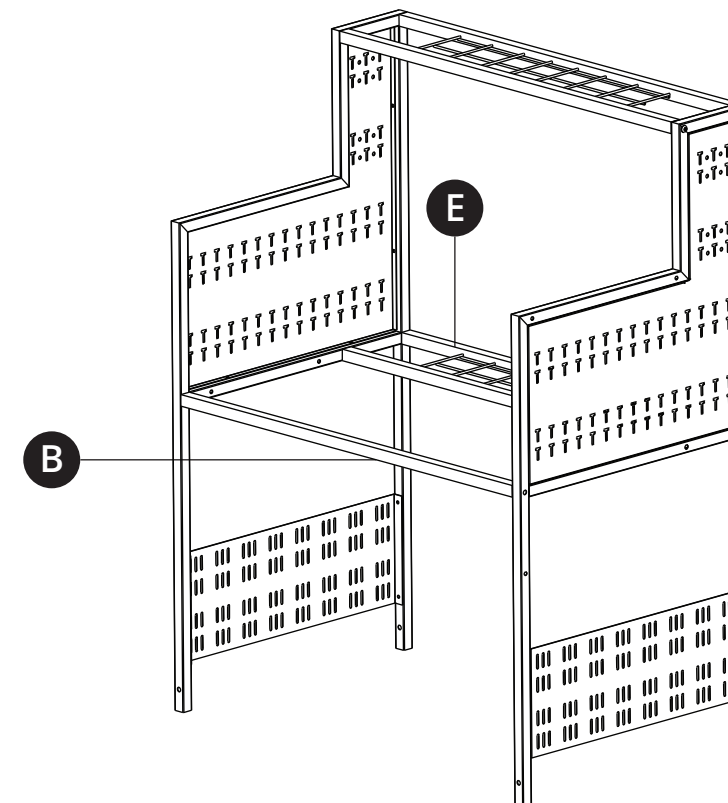
100 lbs. on Bottom Shelf (A)  
75 lbs. on Wire Shelf (C)  
40lbs on Bucket Attachment (I)  
5lbs on each attachment (F)

\*weight must be evenly distributed

**1** Fasten one Tool Divider (E) to the Side (D) using the included Allen Key and 2 Long Screws (L). Add the other Side (D) to make a structure that will stand on it's own.

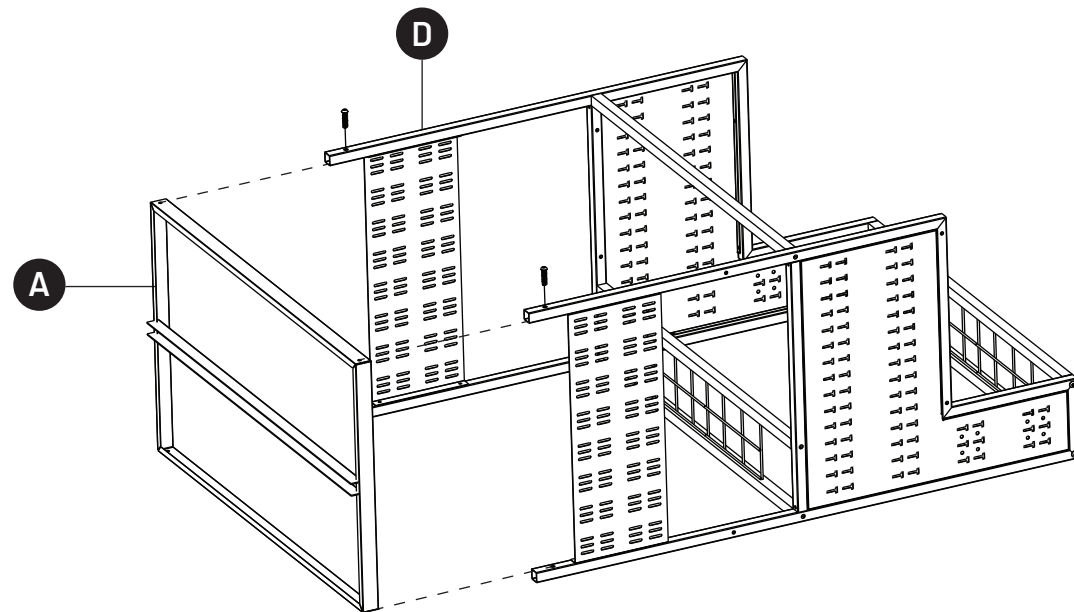


**2** Add the Horizontal Crossbar (B) and the lower Tool Divider (E) and secure with Long Screws (L).



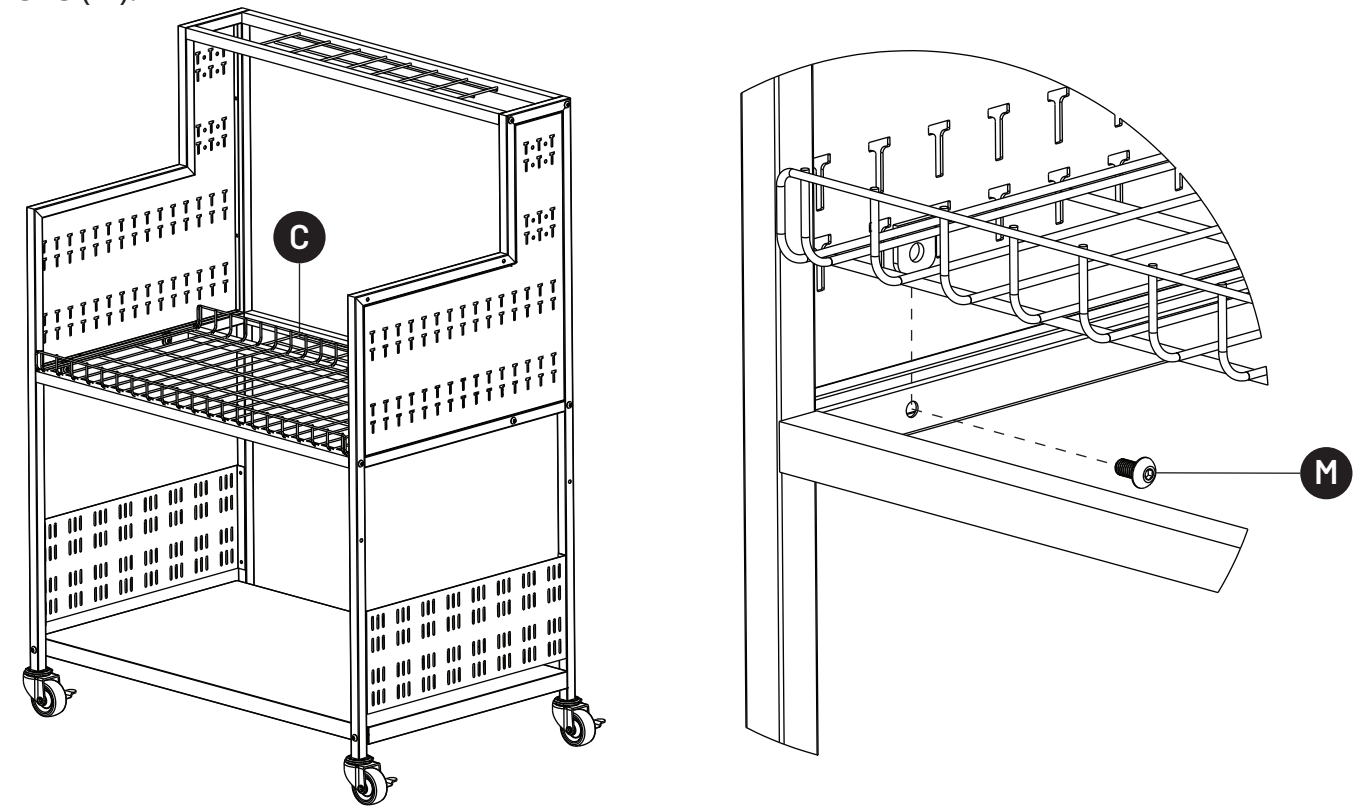
3

For this next step, you will want to lay the assembly on it's back. You can use the cardboard from the product packaging to protect the surface. Slide the Bottom Shelf (A) between the legs of (D) and secure with 2 Long Screws (L).



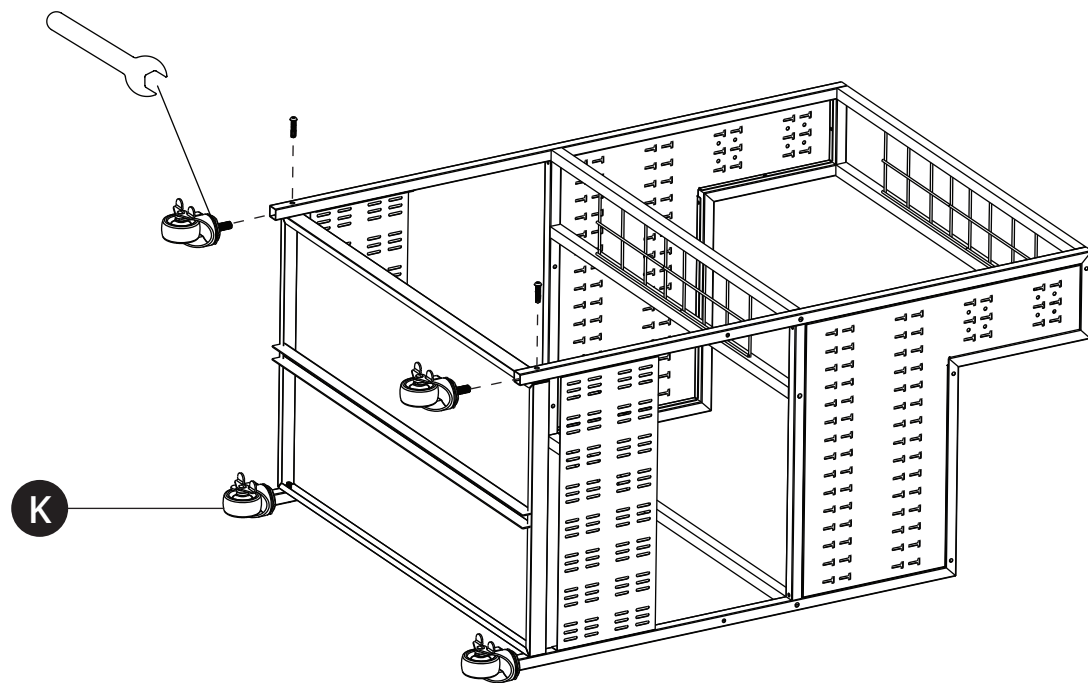
5

Stand the assembly upright and assemble the Wire Shelf (C) to the Sides (D) using 4 Short Screws (M).



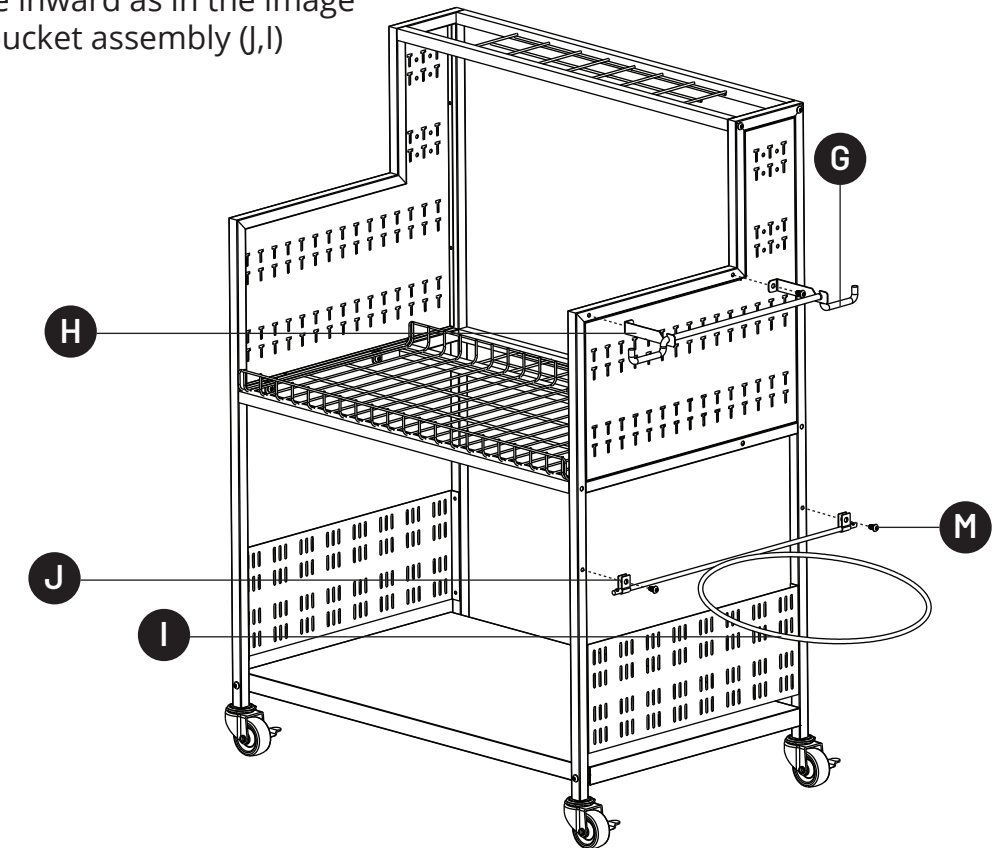
4

Flip the assembly onto it's front as seen below and insert the other 2 Long Screws (L) to secure the Bottom Shelf (A). Insert the 4 Casters (K) and tighten down with the supplied 13mm wrench (N).



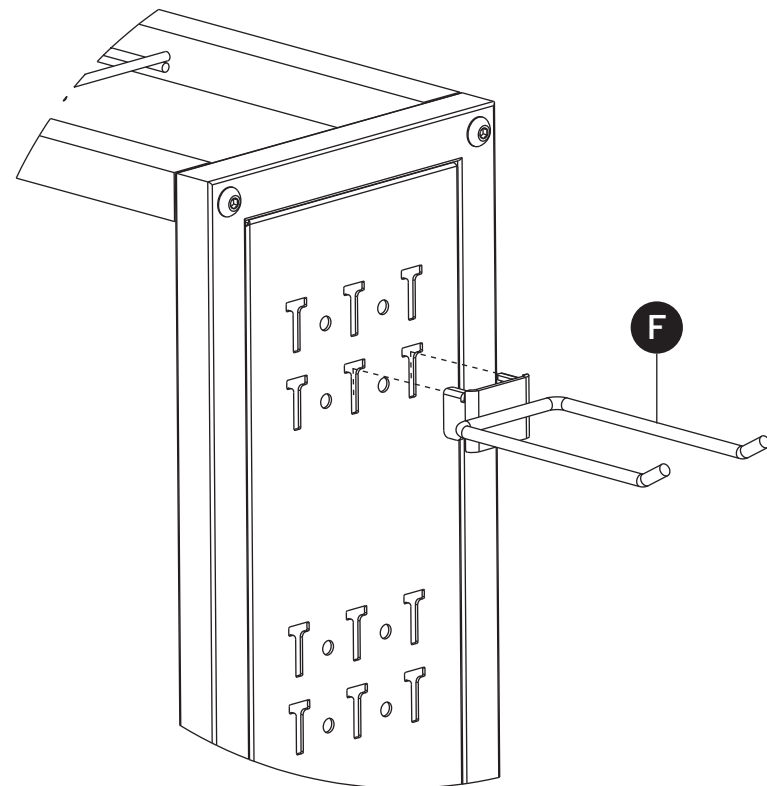
6

Add the Paper Towel Brackets (H) to either side of the cart using 2 Short Screws (M). Make sure the bends of the brackets face inward as in the image below. Add the 5 gallon bucket assembly (J,I) using 2 Short Screws (M).



**7**

Our unique pegboard design allows for quick and easy placement of the included attachments (F). Insert an attachment by lining up the bracket between two "T's" and slide down until it locks into place. Standard 3/16" pegboard attachments may also be used in the holes between the "T's" adding to the versatility of this system.

**8**

To add a paper towel roll to the rack, remove the Paper Towel Rod (G), slide it through the roll, and replace. You can increase or decrease the amount of friction on the paper towel roll by bending the Paper Towel Brackets (H) in or out slightly.