

# INSTALLATION GUIDE

## FIREARM RACK

# IMPORTANT INFORMATION

---

Firearm Rack

Proudly Designed in Virginia, USA  
Manufactured for Spire LLC in Vietnam

Quantity: 1

**WARNING! The Firearm Rack is NOT intended for use by any person under the age of 18 years old. You must be over the age of 18 to install or use the Firearm Rack.**

**WARNING! Strictly follow all instructions to avoid an accident, damage to property, personal injury or death.**

**WARNING! Do not use this product for human suspension. Components can fail causing person to fall, possibly resulting in serious injury or death.**

**WARNING! When operating system, make sure the area below object is clear of persons. If object comes down too quickly, this can cause an accident.**

## **READ THE ENTIRE USER MANUAL BEFORE INSTALLATION**

The User Manual you received with your Firearm Rack provides instructions on how to install and use your Firearm Rack. The instructions are written for a person with a basic understanding of tools and procedures. Read the entire manual before proceeding. If you do not understand any portion of the instructions, do not attempt installation, and email [info@storeyourboard.com](mailto:info@storeyourboard.com).

## **CORRECTLY INSTALL THE PRODUCT**

Read and follow all instructions carefully.

Failure to properly install and use the Firearm Rack could allow the product to detach from the wall, injuring persons or personal property in the process. Accordingly, it is critical that the Firearm Rack be installed correctly and according to the instructions in the User Manual.

## **USE TOOLS SAFELY**

The procedures in the User Manual may require climbing ladders and/or operating power tools. Make sure you are familiar with these tools and their safety procedures before attempting to use such tools during installation. Always be aware of electrical wires during installation. Failure to do so could result in an electrical shock or death.

## **WARNING!**

Contact with wires can give you a severe electrical shock, which may cause injury or death. If you do not know where wires are, have the work done by an experienced professional.

# IMPORTANT INFORMATION

---

## **CAUTION**

It is the consumer's responsibility to install this system in accordance with all codes, ordinances, and local regulations.

When installing Firearm Rack, it is the consumer's responsibility to ensure the structural integrity of the structure it is being mounted to.

The Firearm Rack is intended for the storage of long guns only. Do not use it for any other purpose.

This system has a maximum capacity of 100 lbs. Overloading the system could result in damage to property or injury.

Use extreme caution when loading and unloading equipment from this system.

It is the consumer's responsibility to ensure that the system is in proper working condition before loading objects onto the system. Check tightness of all bolts and screws periodically. Failure to properly maintain the system could result in damage to property or injury.

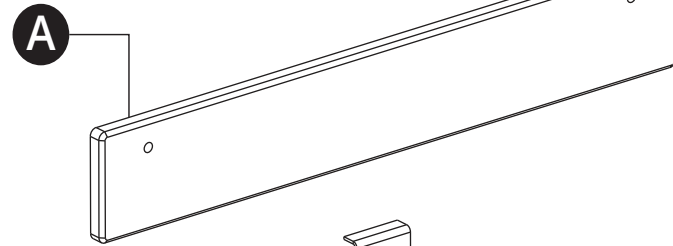
## **WARNING AND DISCLAIMER**

Spire LLC (d/b/a StoreYourBoard) expressly disclaims any and all liability for personal injury, property damage or loss, whether direct, indirect, incidental, resulting from the incorrect mounting, improper use, inadequate maintenance, or neglect of this system.

# INSTALLATION

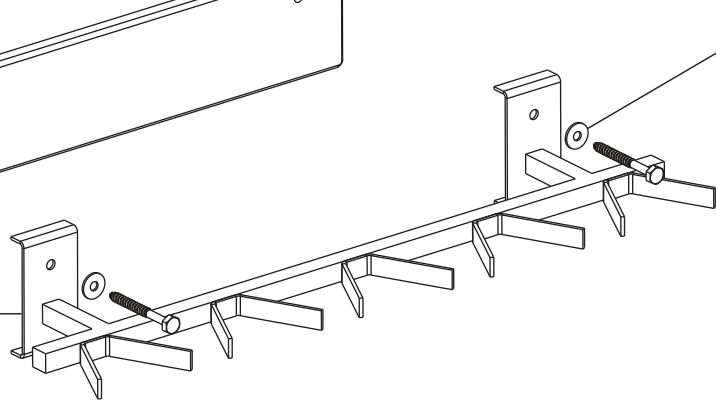
## Wood Backplate

Qty: 2



## Upper Subassembly

Qty: 1

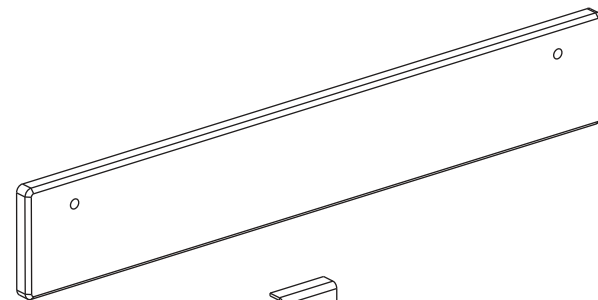


## Wall Screws

1/4" x 2.5"

Qty: 4

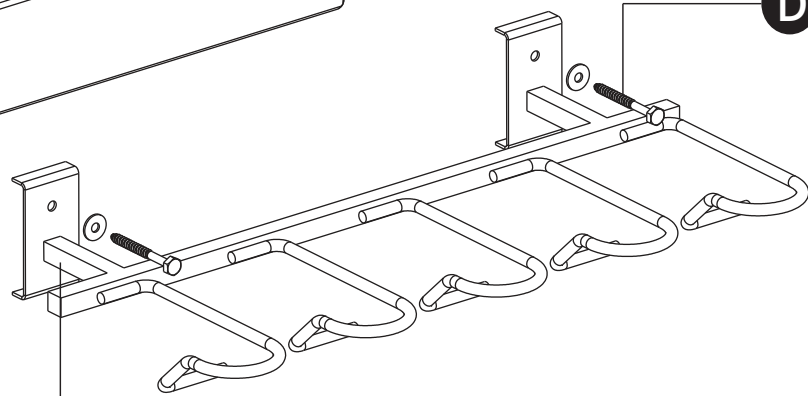
**D**



## Buttstock Subassembly

Qty: 1

**C**



**E**

## Washers

1/4"

Qty: 4

**B**

NOTE: Firearm Rack must be mounted to a wall stud to achieve the advertised weight limit

**1**

### Mark Stud Locations

- Use a stud finder to locate two adjacent wall studs where you want to mount the rack.
- Mark the stud locations with a pencil for reference.

**2**

### Position and Level the Bottom Wood Backplate

- Hold the Bottom Wood Backplate (A) against the wall, aligning the mounting holes with the marked stud locations.
- Use a level to ensure the backplate sits flat to the ground and mark the locations of the mounting holes along the studs with a pencil.

**3**

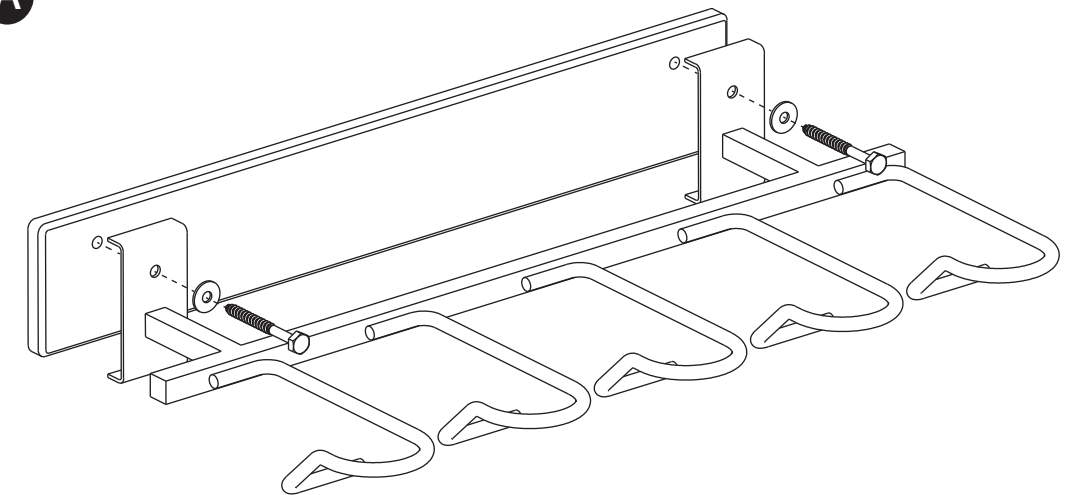
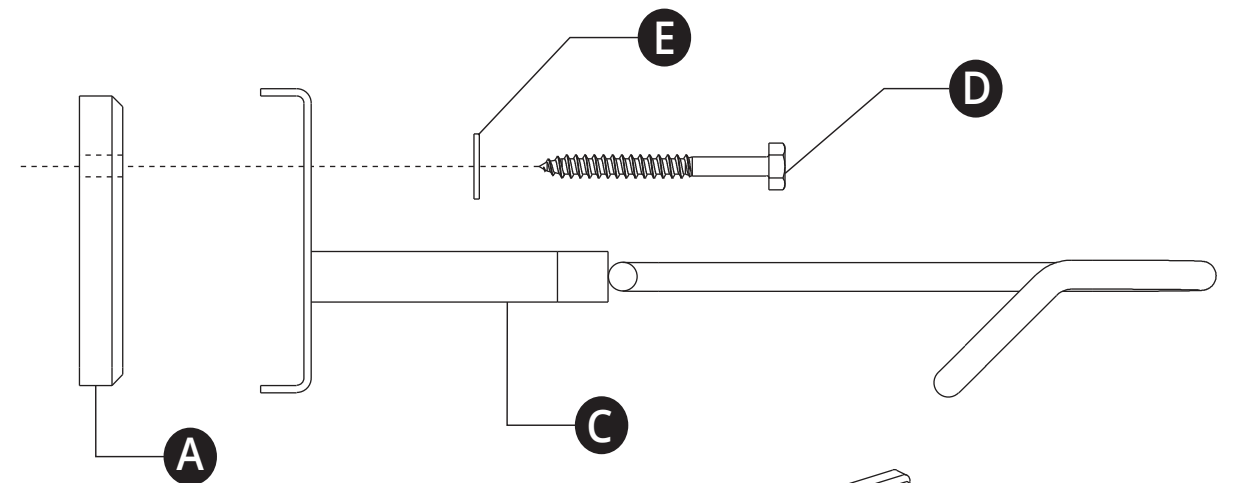
### Drill Pilot Holes

- Use a 3/16 inch (4.7mm) drill bit to carefully drill pilot holes into the stud at the marked locations.

**4**

### Mount the Buttstock Subassembly

- Line up the holes in the Buttstock Subassembly (C) with the Wood Backplate (A).
- Place a Washer (E) over each Wall Screw (D) and insert them into the pilot holes drilled in Step 3.
- Securely tighten the Wall Screws (D), using a level to ensure the rack sits level to the floor.



## RECOMMENDED TOOLS:

Drill/Driver  
Drill bits  
12mm Socket/Driver  
Level  
Tape measure  
Pencil  
Stud finder

## WEIGHT LIMITS:

20 lbs. per slot

NOTE: Always ensure firearms are unloaded and follow all firearm safety guidelines during installation and use.

# INSTALLATION

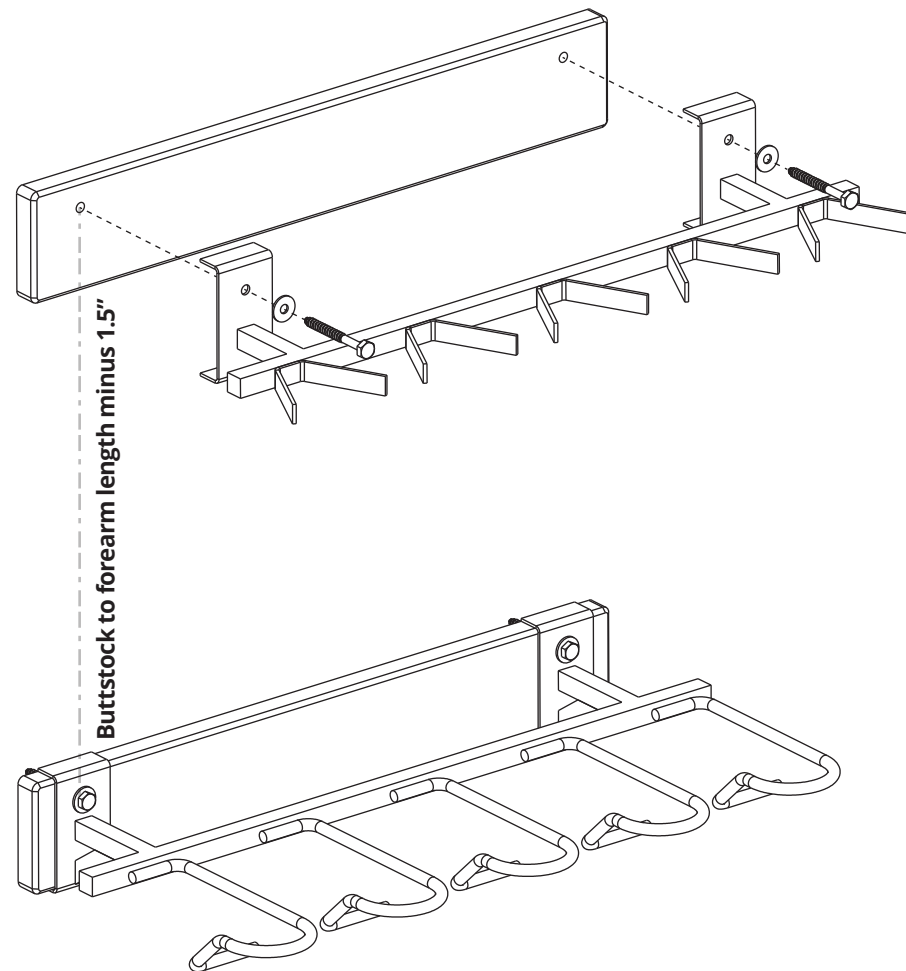
NOTE: Always ensure firearms are unloaded and follow all firearm safety guidelines during installation and use.

## 5 Determine Optimal Position for Upper Sub-Assembly

- Measure the distance from the buttstock to the point where you want the rifle to rest against the foam-covered "V's" on the Upper Sub-Assembly (B) and subtract 1.5".
- Take into account any optics, handguard accessories, suppressors, or other attachments on the firearm. For greater versatility, you may want to store your SBR's (Short Barreled Rifles) with the buttstock fully extended.
- You may want to hold the Upper Sub-Assembly (B) in place and have someone hold a firearm on the rack to verify that you have the correct distance.

## 6 Mount the Upper Sub-Assembly

- Make sure the holes in the Upper Sub-Assembly (B) are vertically aligned with the holes in the Buttstock Sub-Assembly (C).
- Use the measurement found in the previous step (as shown below) and repeat steps 2-4



## 7 Tips & Maintenance

- If you are running tall optics that interfere with the wall, you can flip the rifle around so the optics are facing away from the wall.
- Periodically check the tightness of the lag screws. Re-tighten if necessary.
- The Pine wood has been polyurethaned for longevity and requires no further maintenance.

