

# INSTALLATION GUIDE

## FREESTANDING SURF RACK

# IMPORTANT INFORMATION

---

Freestanding Surf Rack

Manufactured for Spire LLC in China

Quantity: 1

**WARNING!** The Freestanding Surf Rack is NOT intended for use by any person under the age of 18 years old. You must be over the age of 18 to install or use the Freestanding Surf Rack.

**WARNING!** Strictly follow all instructions to avoid an accident, damage to property, personal injury or death.

**WARNING!** Do not use this product for human suspension. Components can fail causing person to fall, possibly resulting in serious injury or death.

**WARNING!** When operating system, make sure the area below object is clear of persons. If object comes down too quickly, this can cause an accident.

## **READ THE ENTIRE USER MANUAL BEFORE INSTALLATION**

The User Manual you received with your Freestanding Surf Rack provides instructions on how to install and use your Freestanding Surf Rack. The instructions are written for a person with a basic understanding of tools and procedures. Read the entire manual before proceeding. If you do not understand any portion of the instructions, do not attempt installation, and email [info@storeyourboard.com](mailto:info@storeyourboard.com).

## **CORRECTLY INSTALL THE PRODUCT**

Read and follow all instructions carefully.

Failure to properly install and use the Freestanding Surf Rack could allow the product to disassemble or tip over, injuring persons or personal property in the process. Accordingly, it is critical that the Freestanding Surf Rack be installed correctly and according to the instructions in the User Manual.

## **USE TOOLS SAFELY**

The procedures in the User Manual may require climbing ladders and/or operating power tools. Make sure you are familiar with these tools and their safety procedures before attempting to use such tools during installation. Always be aware of electrical wires during installation. Failure to do so could result in an electrical shock or death.

## **WARNING!**

Contact with wires can give you a severe electrical shock, which may cause injury or death. If you do not know where wires are, have the work done by an experienced professional.

# IMPORTANT INFORMATION

---

## **CAUTION**

It is the consumer's responsibility to install this system in accordance with all codes, ordinances, and local regulations.

When installing the Freestanding Surf Rack, it is the consumer's responsibility to ensure the structural integrity of the structure it is being mounted to.

The Freestanding Surf Rack is intended for the storage of Surf Boards only. Do not use it for any other purpose.

This system has a maximum capacity of 150 lbs. Overloading the system could result in damage to property or injury.

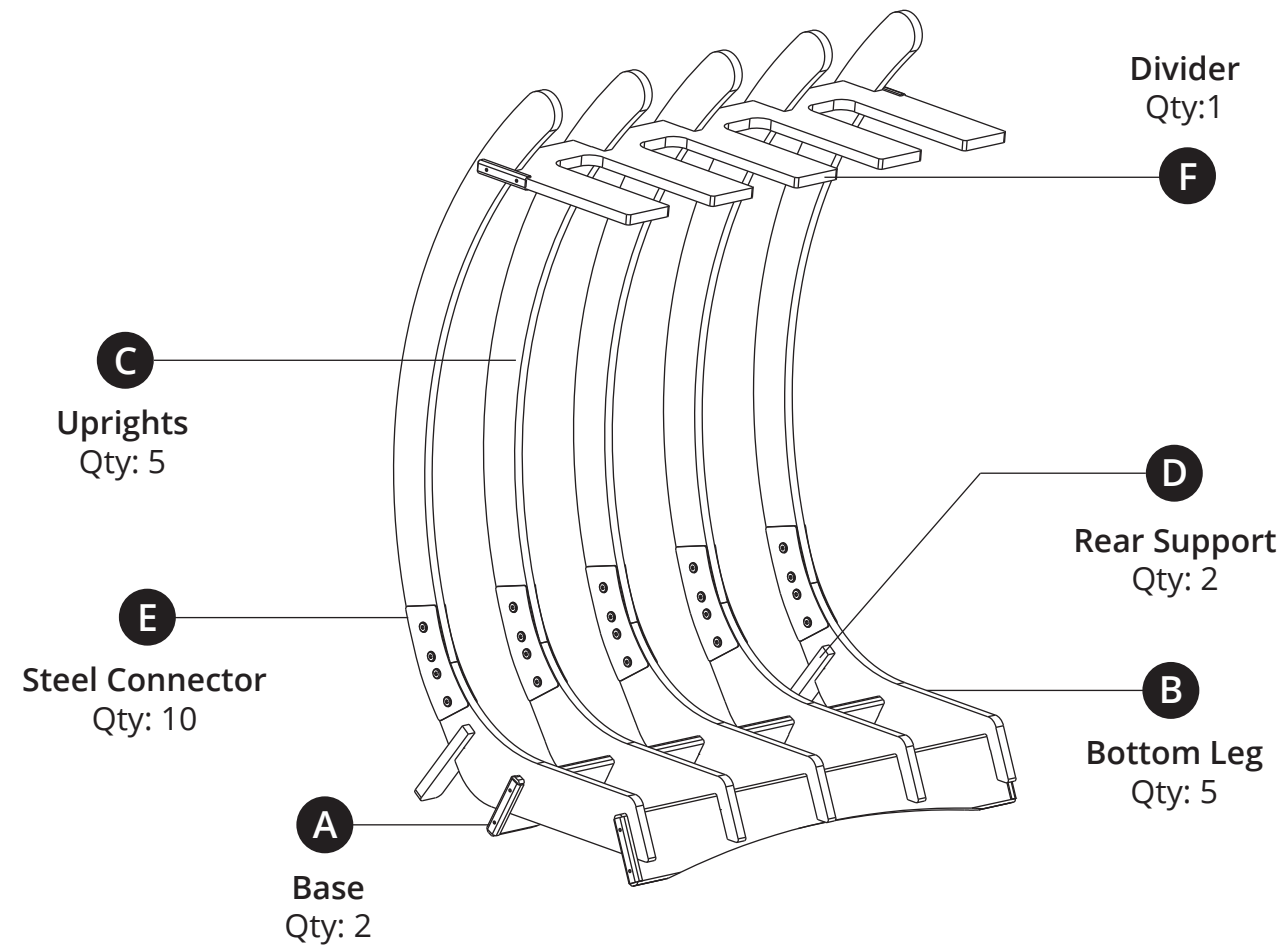
Use extreme caution when loading and unloading equipment from this system.

It is the consumer's responsibility to ensure that the system is in proper working condition before loading objects onto the system. Check tightness of all bolts and screws periodically. Failure to properly maintain the system could result in damage to property or injury.

## **WARNING AND DISCLAIMER**

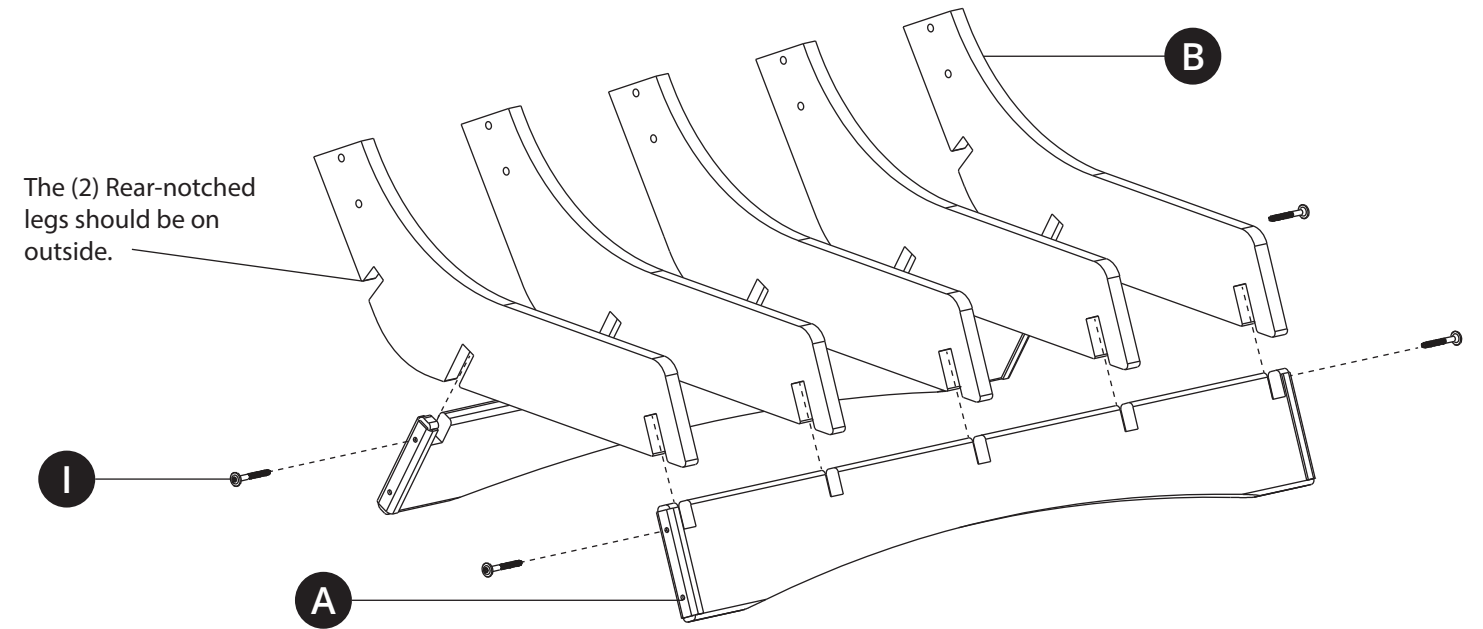
Spire LLC (d/b/a StoreYourBoard) expressly disclaims any and all liability for personal injury, property damage or loss, whether direct, indirect, incidental, resulting from the incorrect mounting, improper use, inadequate maintenance, or neglect of this system.

# INSTALLATION



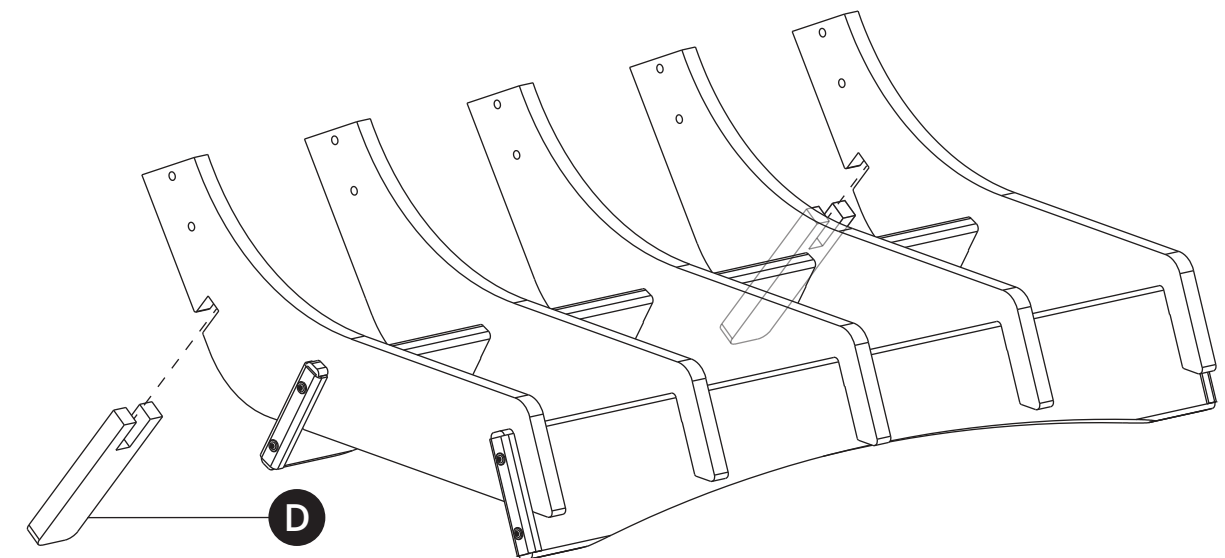
1

Slide the 5 Bottom Legs (B) onto the two Bases (A). You may need to use a rubber mallet to help secure the two components together. Pre-drill holes using a 1/8" drill in the locations shown in the diagram, and use the included Phillips Screwdriver (J) and 4 Wood Screws (I) to fasten (B) and (A) together.



2

Attach the 2 Rear Supports (D). Optional: Use wood glue between the notch in (D) and (B) as a more permanent assembly.



## INCLUDED HARDWARE:

## INCLUDED TOOLS:



## RECOMMENDED TOOLS:

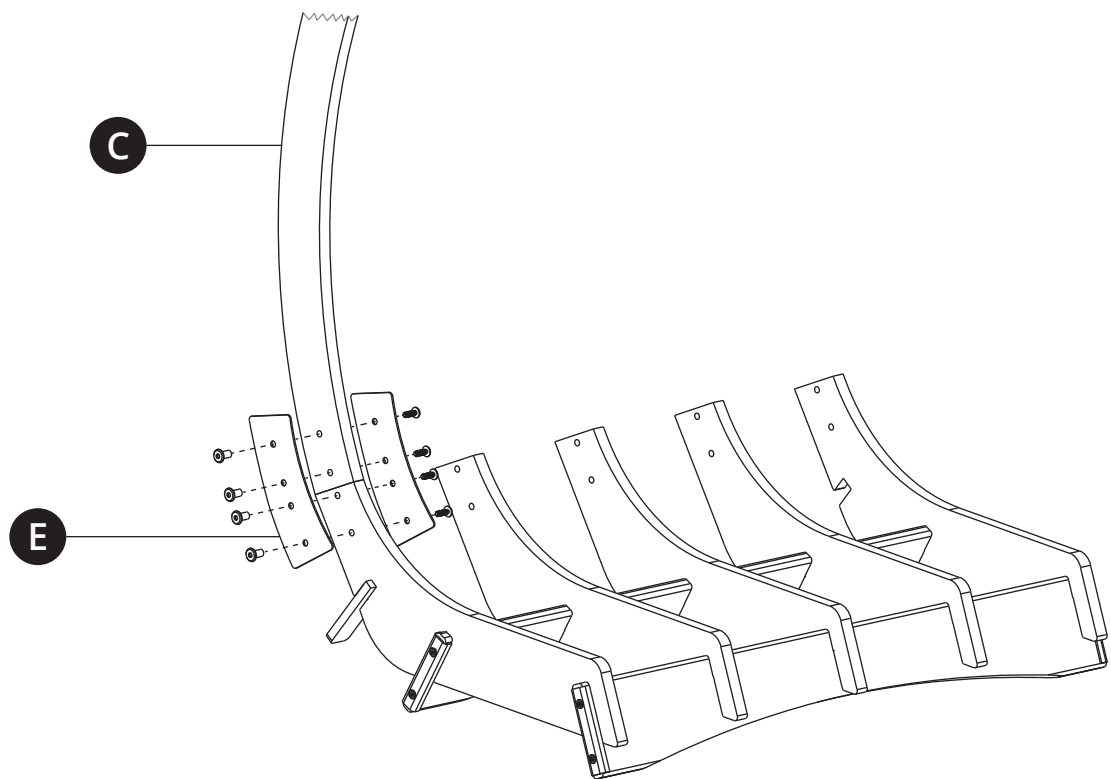
Phillips Screwdriver (Included)  
1/8" (3mm) Drill Bit  
Wood Glue (Optional)

## WEIGHT LIMITS:

150 lbs total.

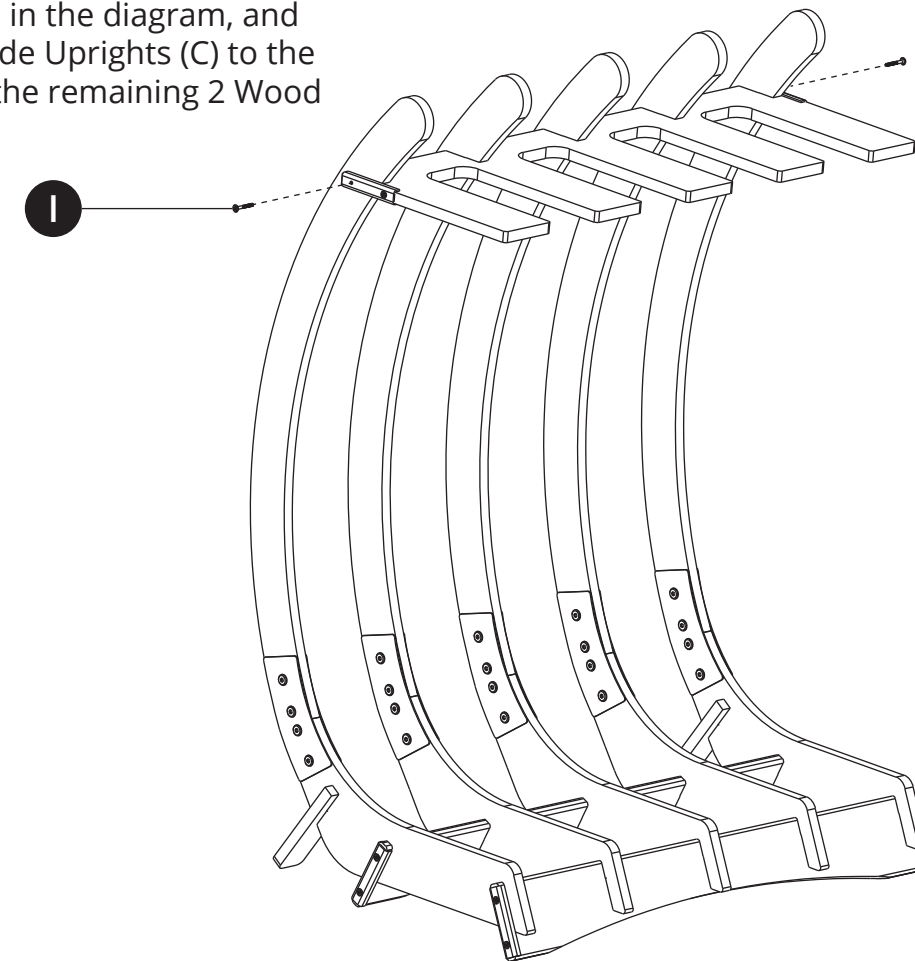
3

Fasten 2 Steel Connectors (E) to the outsides of each Bottom Leg (B) using the two bottom holes and the included hardware (G, H). Add the Uprights (C) and secure with the remaining hardware (G, H). Note: G and H can enter through either side of the Steel Plates.



5

Pre-drill holes using a 1/8" drill in the locations shown in the diagram, and secure the outside Uprights (C) to the Divider (F) with the remaining 2 Wood Screws (I).



4

Line up the notches in the Uprights (C) with the notches in the Divider (F).

Optional: Use wood glue between the notches for a more permanent assembly.

