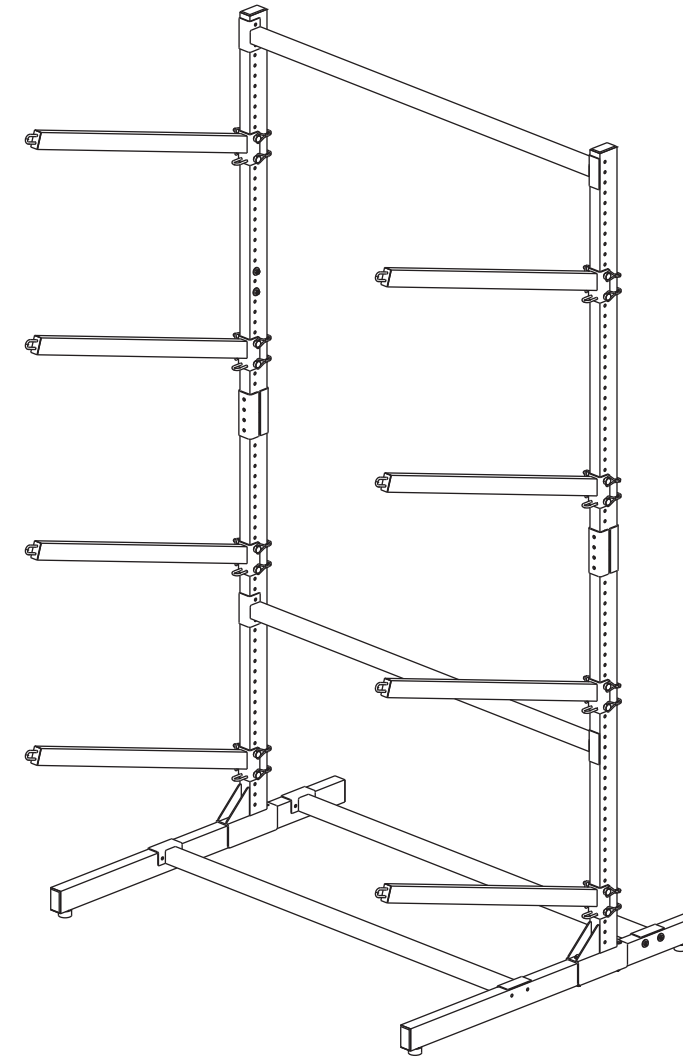


▲ TEAL TRIANGLE



INSTALLATION GUIDE

FREESTANDING G-SYSTEM RACK

Questions or Concerns? Contact us at:

✉ support@tealtriangle.com

IMPORTANT INFORMATION

Freestanding G-System Rack - REV C

Manufactured for Spire LLC in Vietnam

Quantity: 1

WARNING! The Freestanding G-System Rack is NOT intended for use by any person under the age of 18 years old. You must be over the age of 18 to install or use the Freestanding G-System Rack.

WARNING! Strictly follow all instructions to avoid an accident, damage to property, personal injury or death.

WARNING! Do not use this product for human suspension. Components can fail causing person to fall, possibly resulting in serious injury or death.

WARNING! When operating system, make sure the area below object is clear of persons. If object comes down too quickly, this can cause an accident.

READ THE ENTIRE USER MANUAL BEFORE INSTALLATION

The User Manual you received with your Freestanding G-System Rack provides instructions on how to install and use your Freestanding G-System Rack. The instructions are written for a person with a basic understanding of tools and procedures. Read the entire manual before proceeding. If you do not understand any portion of the instructions, do not attempt installation, and email support@tealtriangle.com.

CORRECTLY INSTALL THE PRODUCT

Read and follow all instructions carefully.

Failure to properly install and use the Freestanding G-System Rack could allow the product to dismantle or tip over, injuring persons or personal property in the process. Accordingly, it is critical that the Freestanding G-System Rack be installed correctly and according to the instructions in the User Manual.

USE TOOLS SAFELY

The procedures in the User Manual may require climbing ladders and/or operating power tools. Make sure you are familiar with these tools and their safety procedures before attempting to use such tools during installation. Always be aware of electrical wires during installation. Failure to do so could result in an electrical shock or death.

WARNING!

Contact with wires can give you a severe electrical shock, which may cause injury or death. If you do not know where wires are, have the work done by an experienced professional.

IMPORTANT INFORMATION

CAUTION

It is the consumer's responsibility to install this system in accordance with all codes, ordinances, and local regulations.

When installing the Freestanding G-System Rack, it is the consumer's responsibility to ensure the structural integrity of the structure it is being mounted to.

The Freestanding G-System Rack is intended for the storage of sporting equipment only. Do not use it for any other purpose.

This system has a maximum capacity of 300 lbs. Overloading the system could result in damage to property or injury.

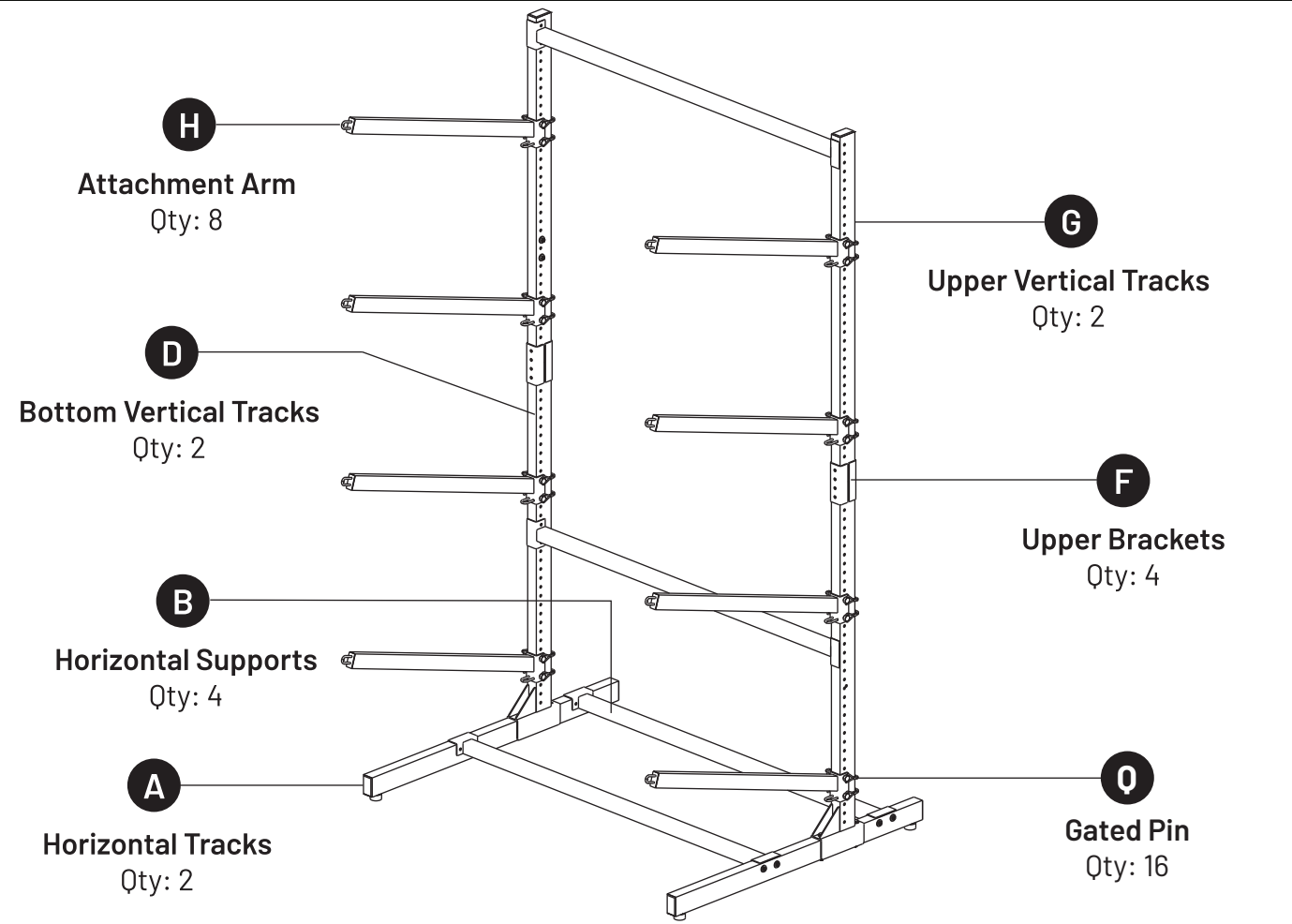
Use extreme caution when loading and unloading equipment from this system.

It is the consumer's responsibility to ensure that the system is in proper working condition before loading objects onto the system. Check tightness of all bolts and screws periodically. Failure to properly maintain the system could result in damage to property or injury.







WARNING AND DISCLAIMER

Spire LLC (d/b/a Teal Triangle) expressly disclaims any and all liability for personal injury, property damage or loss, whether direct, indirect, incidental, resulting from the incorrect mounting, improper use, inadequate maintenance, or neglect of this system.

INSTALLATION



INCLUDED HARDWARE:

| | | | | | |
|---|---|---|---|---|---|
|  |  |  |  |  |  |
| K | L | M | N | O | P |
| M6-1.0 x 50mm Small Hex Bolts Qty: 16 | M6-1.0 x 67mm Medium Hex Bolts Qty: 4 | M6-1.0 x 80mm Large Hex Bolts Qty: 8 | M6-1.0 Hex Nuts Qty: 28 | Small M6 Washers Qty: 48 | Large M6 Washers Qty: 8 |

RECOMMENDED TOOLS:

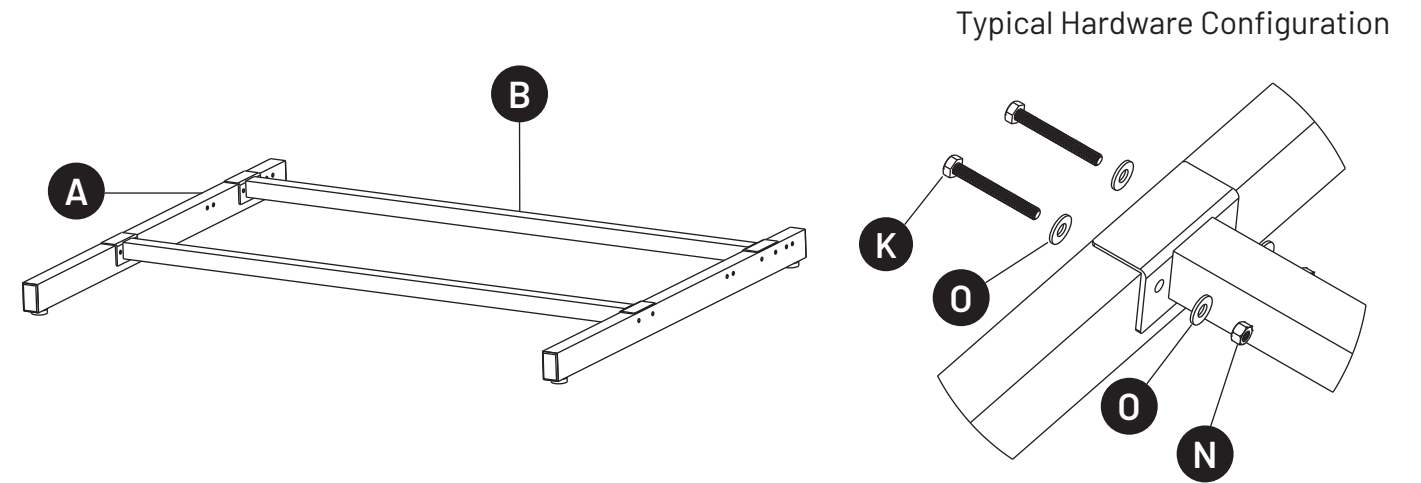
- Drill/driver
- Socket wrench w/ extension
- Level
- Tape measure

WEIGHT LIMITS:

- 50 lbs. max per attachment
- 300 lbs. max total
- *weight must be evenly distributed

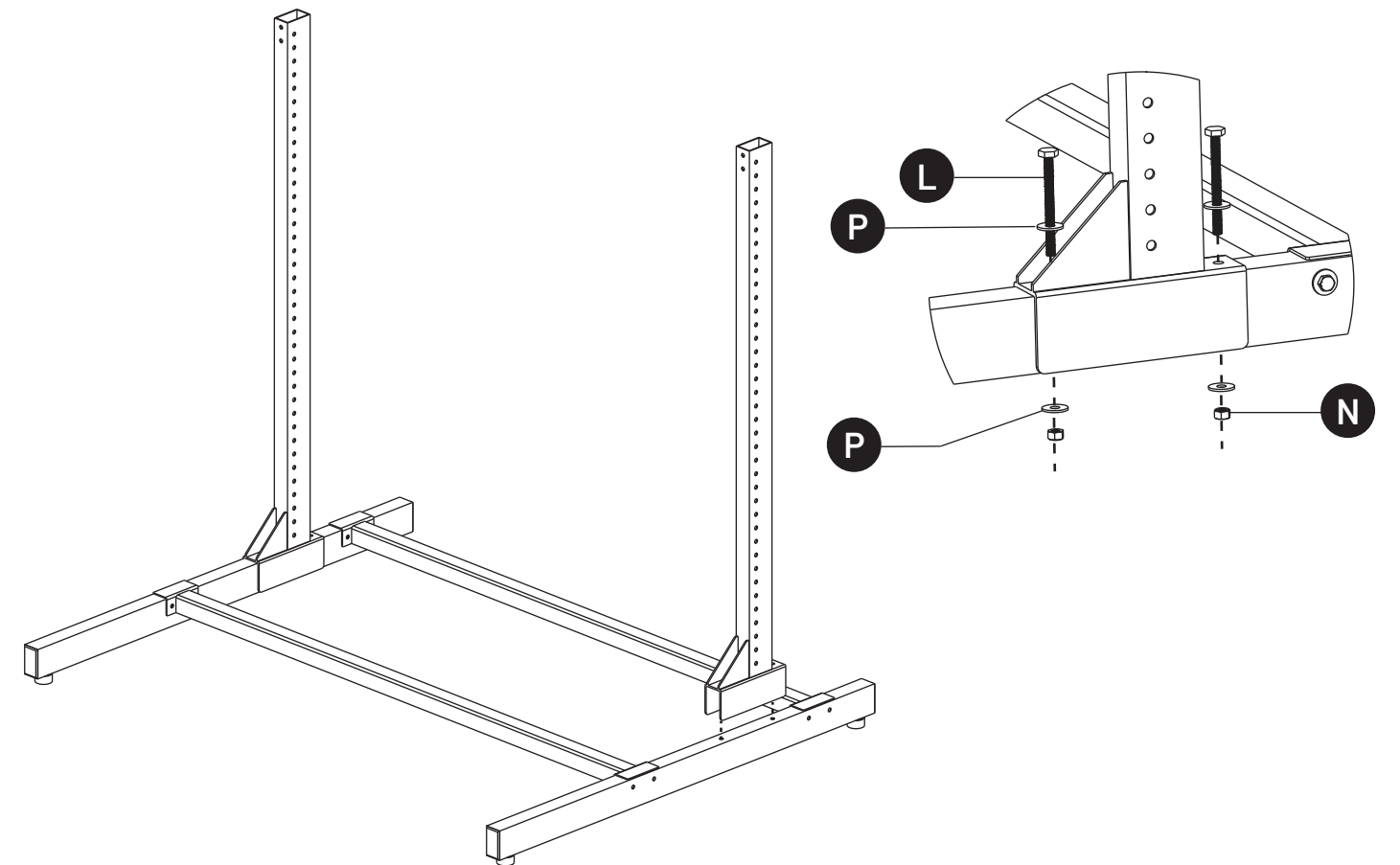
1

Fasten two Horizontal Supports (B) to the left and right Horizontal Tracks (A). Use 8 Small Hex Bolts (K), 16 Small Washers (O), and 8 Hex Nuts (N) for this step. Take note of the orientation in the picture.



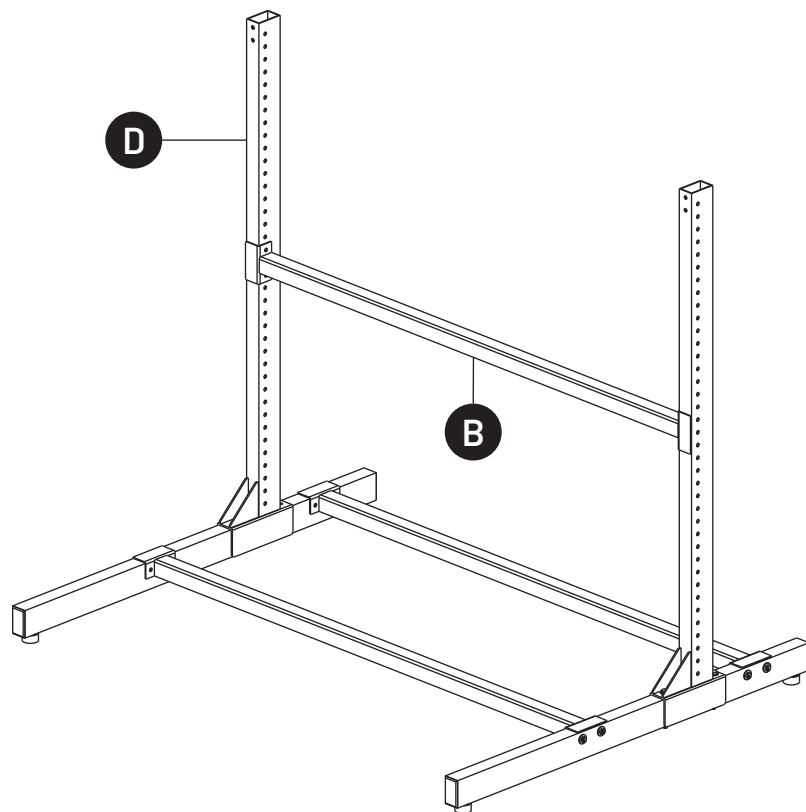
2

Fasten each Bottom Vertical Track (D) to the Horizontal Tracks (A). Use 4 Medium Hex Bolts (L), 8 Large Washers (P), and 4 Hex Nuts (N) for this step. Take note of the orientation in the picture.



3

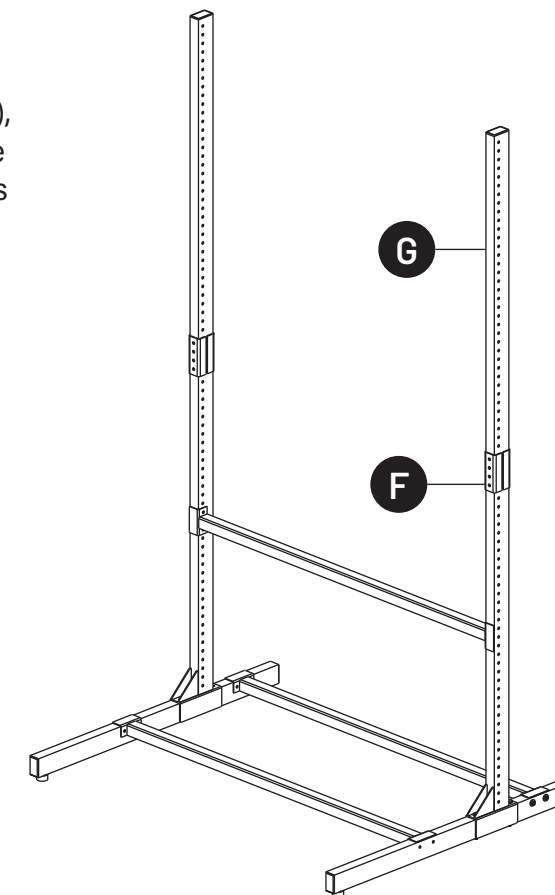
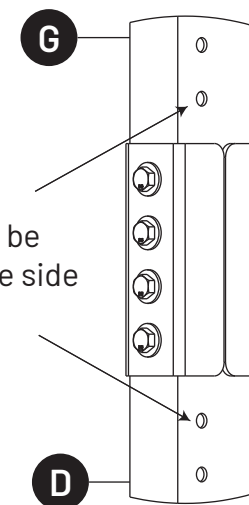
Assemble the third Horizontal Support (B) to both of the Bottom Vertical Tracks (D) at about the halfway point as seen below. Use 4 Small Hex Bolts (K), 8 Small Washers (O), and 4 Hex Nuts (N) for this step.



5

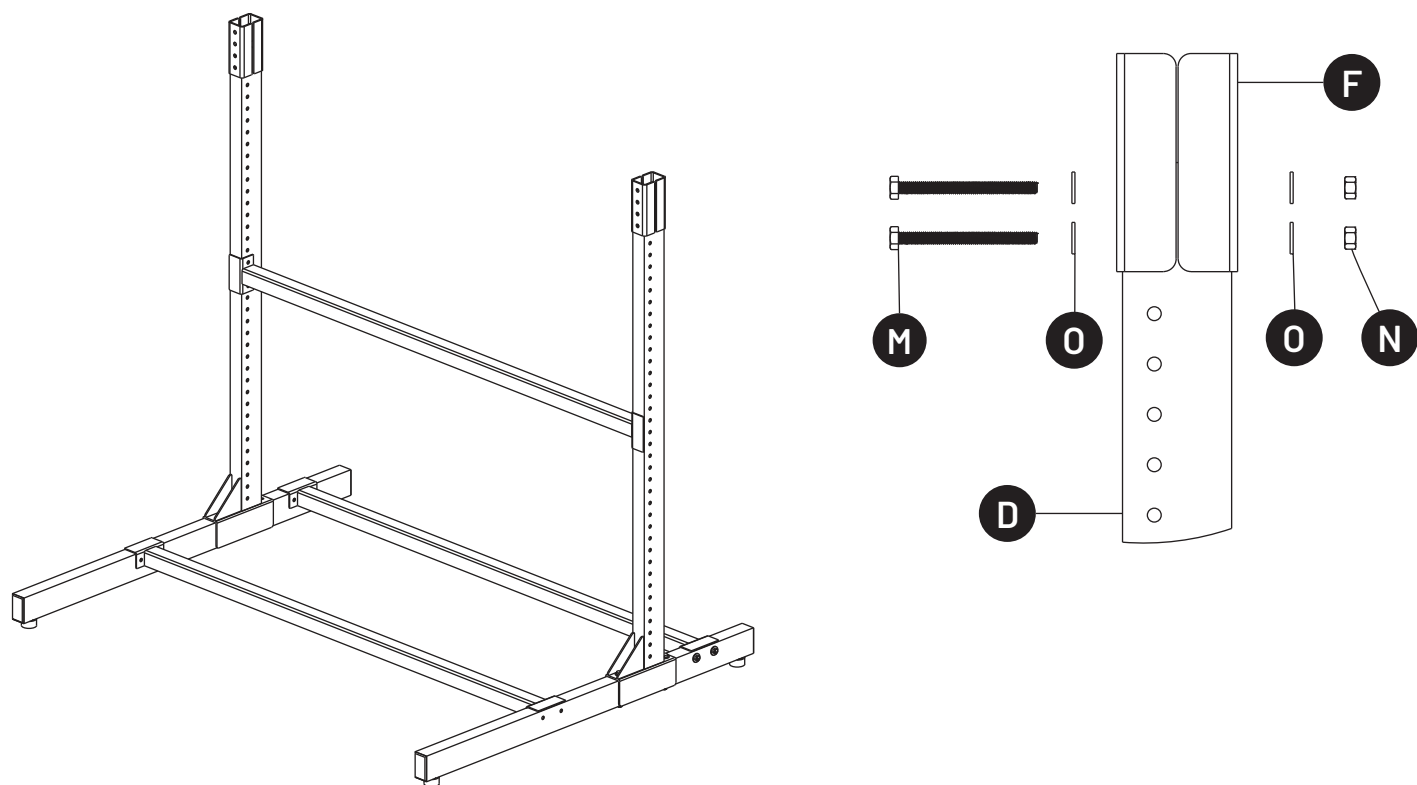
Assemble the Upper Vertical Tracks (G) by aligning the two bottom holes to the remaining two holes on the Upper Bracket (F). Use 4 Large Hex Bolts (M), 8 Small Washers (O), and 4 Hex Nuts (N) for this step. Do not forget to tighten the hardware from last step as well. Note: Ensure the end cap is at the top of the Vertical Track (G) before installing.

Note: Holes should be aligned on the same side



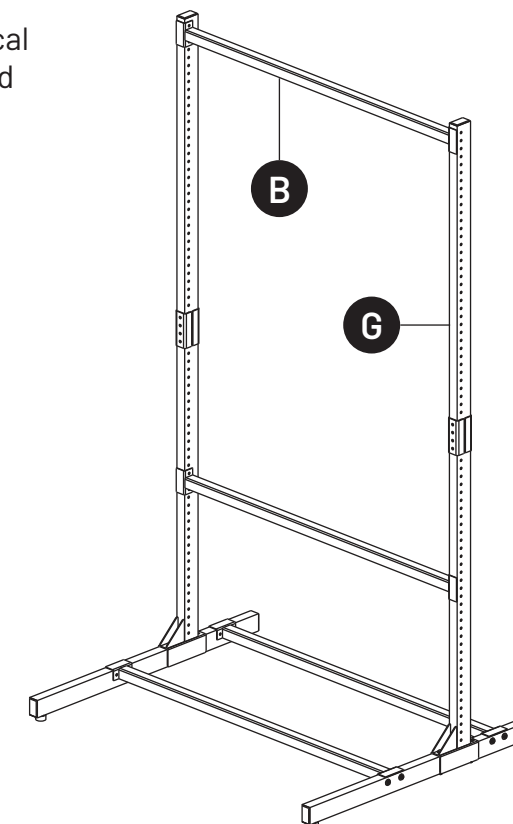
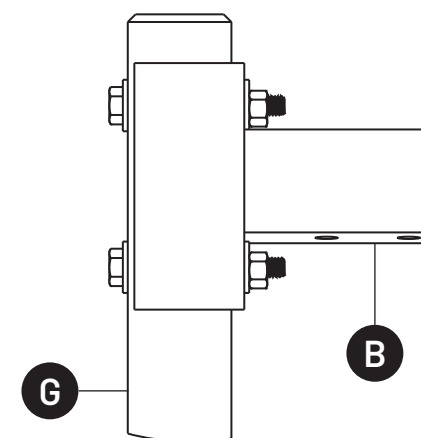
4

Fasten the Upper Brackets (F) onto both Bottom Vertical Tracks (D) by aligning the bottom two holes on the Upper Brackets (F) with the top two holes on the Bottom Vertical Tracks (D). Use 4 Large Hex Bolts (M), 8 Small Washers (O), and 4 Hex Nuts (N) for this step. Tip: Fully tighten the hardware and then loosen 1 turn for the next step.



6

Assemble the final Horizontal Support (B) by aligning the mounting holes with the top most holes on the Upper Vertical Track (G). Use 4 Small Hex Bolts (K), 8 Small Washers (O), and 4 Hex Nuts (N).



7

Add Attachment Arms (H) as desired by aligning the through hole on the base with the through hole on the Vertical Tracks (D or G) and insert Gated Pin (Q). Secure by closing

