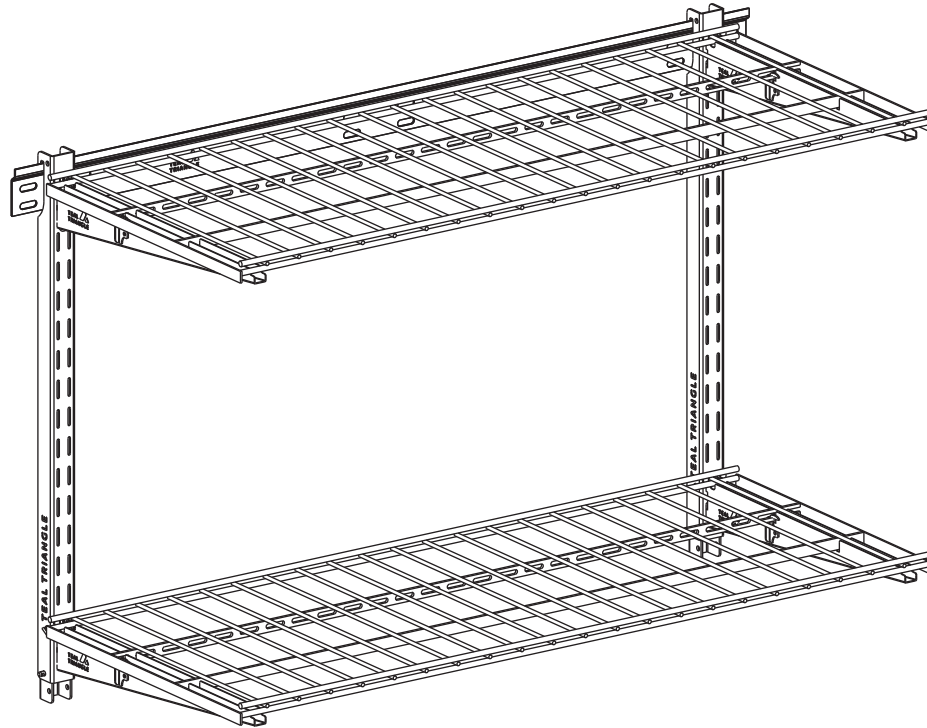


▲ TEAL TRIANGLE

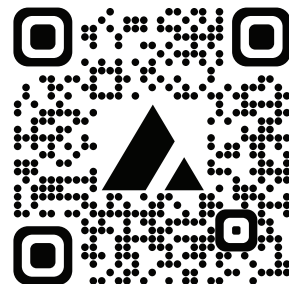


INSTALLATION GUIDE G-SYSTEM DOUBLE SHELF KIT



SCAN THIS QR CODE FOR
THE FULL INSTALL VIDEO.

SCAN THIS QR CODE FOR
EXTRA TIPS FOR INSTALLING
THIS PRODUCT.



Questions or Concerns?

Contact us at:  support@tealtriangle.com

IMPORTANT INFORMATION

G-System Shelf

Manufactured for Spire LLC by Tellbe in Vietnam

Quantity: 1

WARNING! G-System Shelf is NOT intended for use by any person under the age of 18 years old. You must be over the age of 18 to install or use G-System Shelf.

WARNING! Strictly follow all instructions to avoid an accident, damage to property, personal injury or death.

WARNING! Do not use this product for human suspension. Components can fail causing person to fall, possibly resulting in serious injury or death.

WARNING! When operating system, make sure the area below object is clear of persons. If object comes down too quickly, this can cause an accident.

WARNING! Contact with wires can give you a severe electrical shock, which may cause injury or death. If you do not know where wires are, have the work done by an experienced professional.

READ THE ENTIRE USER MANUAL BEFORE INSTALLATION

The User Manual you received with your G-System Shelf provides instructions on how to install and use your G-System Shelf. The instructions are written for a person with a basic understanding of tools and procedures. Read the entire manual before proceeding. If you do not understand any portion of the instructions, do not attempt installation, and contact support@tealtriangle.com.

CORRECTLY INSTALL THE PRODUCT

Read and follow all instructions carefully.

Failure to properly install and use the G-System Shelf could allow the product to detach from the wall, injuring persons or personal property in the process. Accordingly, it is critical that the G-System Shelf be installed correctly and according to the instructions in the User Manual.

USE TOOLS SAFELY

The procedures in the User Manual may require climbing ladders and/or operating power tools. Make sure you are familiar with these tools and their safety procedures before attempting to use such tools during installation. Always be aware of electrical wires during installation. Failure to do so could result in an electrical shock or death.

IMPORTANT INFORMATION

CAUTION

It is the consumer's responsibility to install this system in accordance with all codes, ordinances, and local regulations.

When installing the G-System Shelf, it is the consumer's responsibility to ensure the structural integrity of the structure it is being mounted to.

The G-System Shelf is intended for the storage of sporting equipment and household tools only.

This system has a maximum capacity of 200 lbs. Overloading the system could result in damage to property or injury.

Use extreme caution when loading and unloading sportings equipment and household tools from this system.

It is the consumer's responsibility to ensure that the system is in proper working condition before loading objects onto the system. Check tightness of all bolts and screws periodically. Failure to properly maintain the system could result in damage to property or injury.

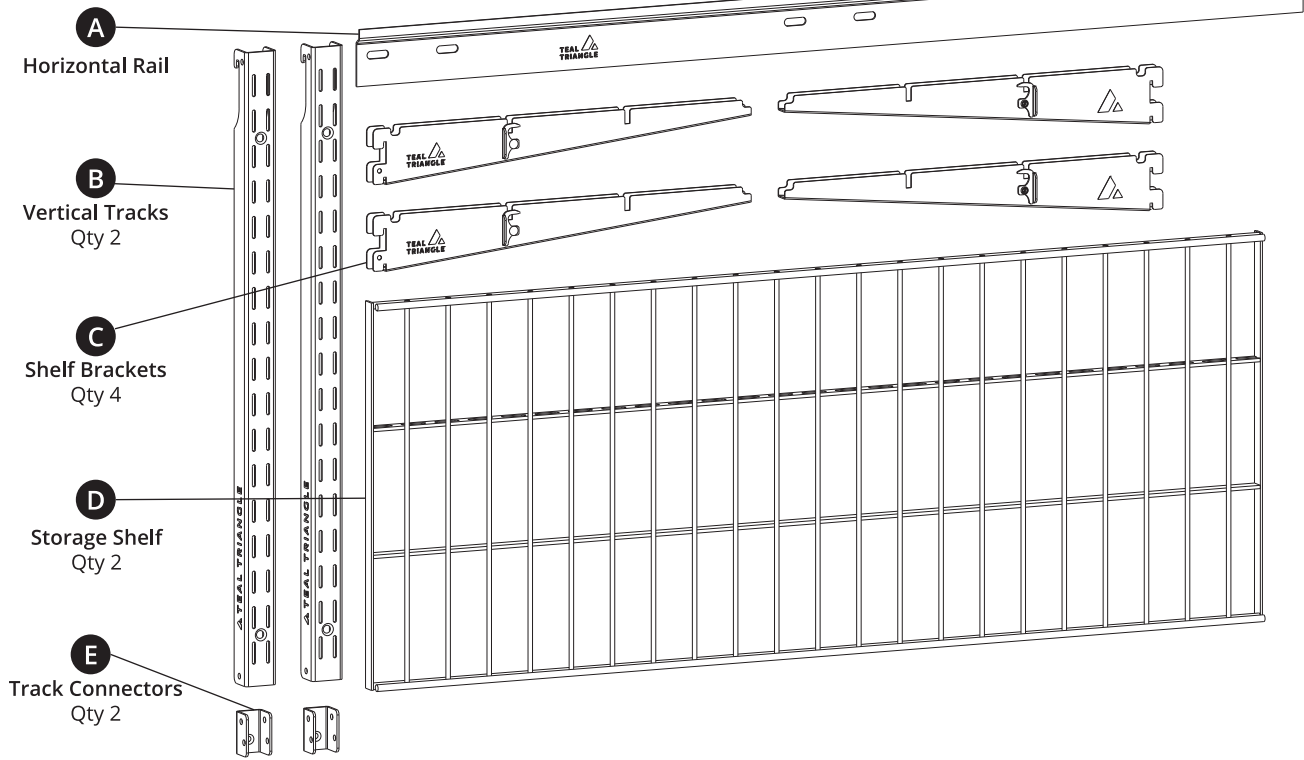
SAFETY WARNING/NOTES:

Read the instructions all the way through before starting. If you are unsure about any part of this installation, please contact us or a professional installer for assistance.

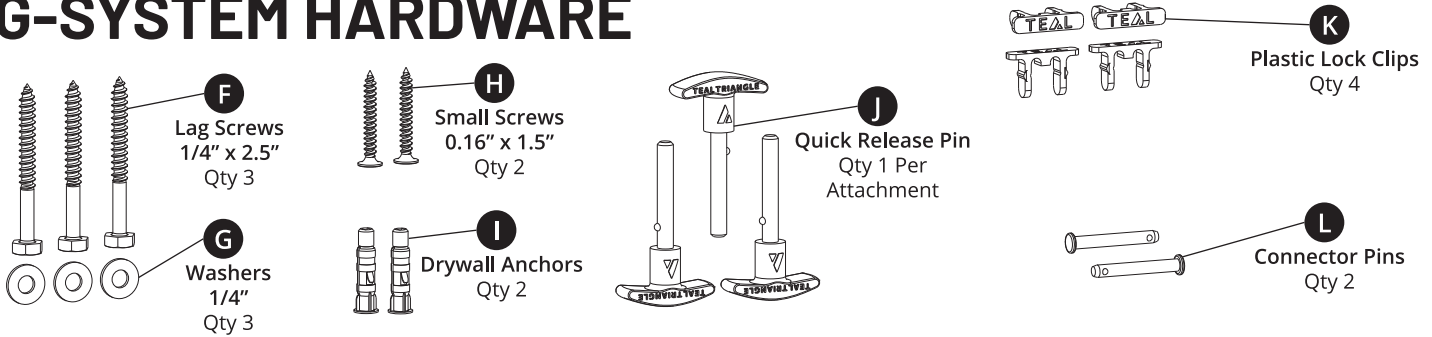
WARNING AND DISCLAIMER

Spire LLC (d/b/a Teal Triangle) expressly disclaims any and all liability for personal injury, property damage or loss, whether direct, indirect, incidental, resulting from the incorrect mounting, improper use, inadequate maintenance, or neglect of this system.

G-SYSTEM PARTS



G-SYSTEM HARDWARE



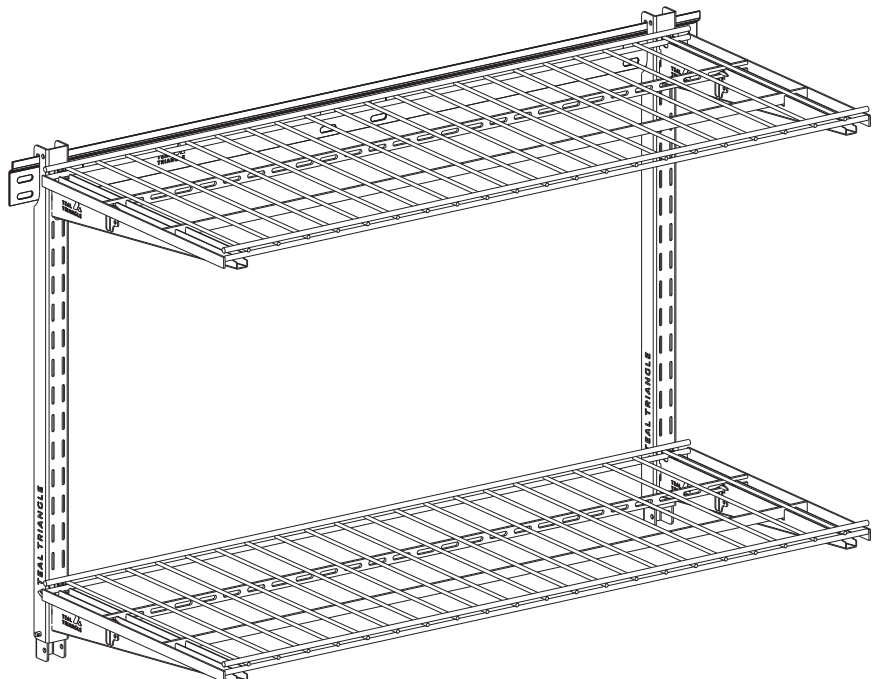
This image shows a fully installed G-System. Use it to understand the parts and refer to it during installation.

REQUIRED TOOLS:

Drill / Impact Driver
12mm socket
3/16" (5mm) drill bit
3/32" (2.5mm) drill bit
Phillips head screwdriver
Stud finder
Pencil

WEIGHT LIMITS:

100 lbs. max per shelf
200 lbs. max total



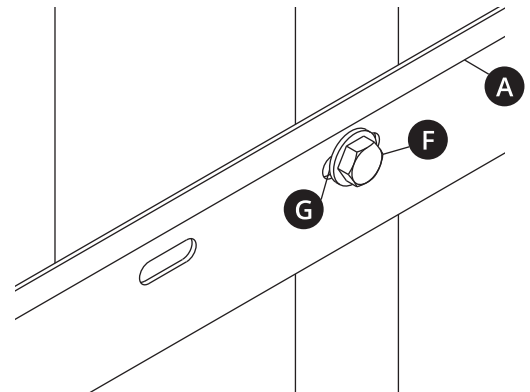
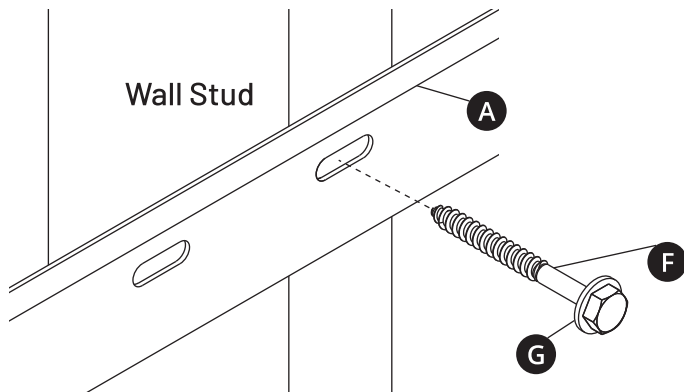
Mount the Horizontal Rail

- 1 Determine the location on the wall that you will mount your shelves. Use a stud finder to locate 3 adjacent studs at the height where you want to mount the G-System. Use a pencil to mark the desired height location in the center of each stud.

Pro Tip: If you are unsure how high to mount your system, we recommend mounting the Horizontal Rail at approximately 70" from the floor to give easy access to the shelves. For additional installation tips, visit our Purchase Guide and Installation Tips Page with the QR code on the cover of this book.

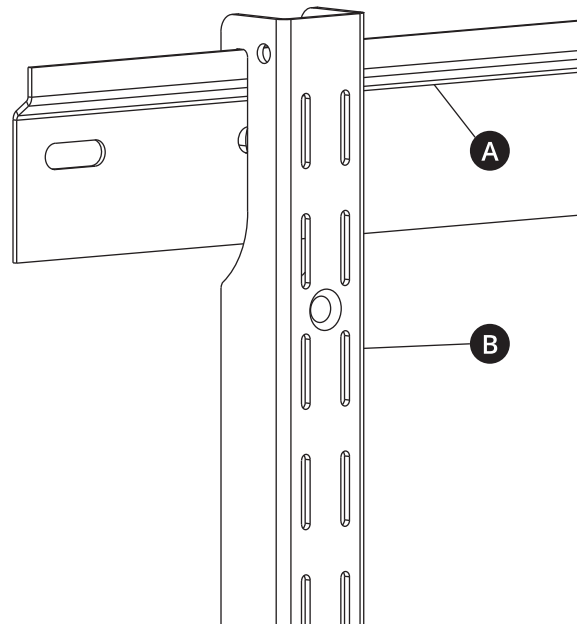
- 2 Hold the Horizontal Rail (A) against the wall, aligning the rail's mounting holes over the confirmed stud locations that have been marked with a pencil in Step 1. Use a level to check that the Horizontal Rail is parallel to the floor, and make adjustments as needed. Remove the rail from the wall and use a 3/16" drill bit to drill pilot holes at each pencil mark.

- 3 Place one washer (G) on each of the 3 lag screws (F). Hold the Horizontal Rail up to pilot holes. Use a 12mm socket on an impact driver, or use a socket wrench, to secure each lag screw with a washer into each pilot hole. Be sure not to overtighten.



Attach Vertical Tracks and Shelf

- 4 Hook the two Vertical Tracks (B) to the Mounting Rail. These vertical tracks are adjustable and can be placed anywhere along the rail; however, we recommend placing the tracks in line with the outer mounted lag screws on the rail. The vertical wall tracks must be placed at a minimum of 16" apart so that there is no more than 9" of overhang on either side of the shelf.



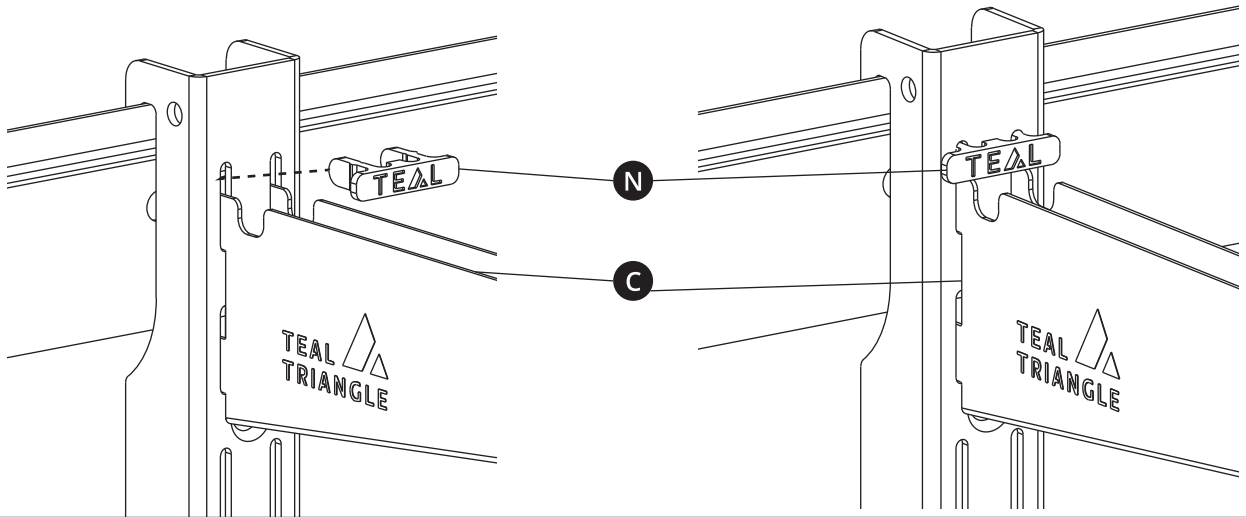
5

Attach the Shelf Brackets (C) at the desired location on the Vertical Tracks. Make sure the Shelf Brackets are at the same height on each Vertical Track so the shelf will be level.

6

Insert one Plastic Lock Clip (N) into the same Vertical Track slot that the Shelf Bracket was attached as shown in image below. Repeat on the other side. Make sure the clips are fully inserted in order to properly secure the brackets.

Pro Tip: If the Lock Clip doesn't fit, make sure the Shelf Bracket is fully seated into the Vertical Track

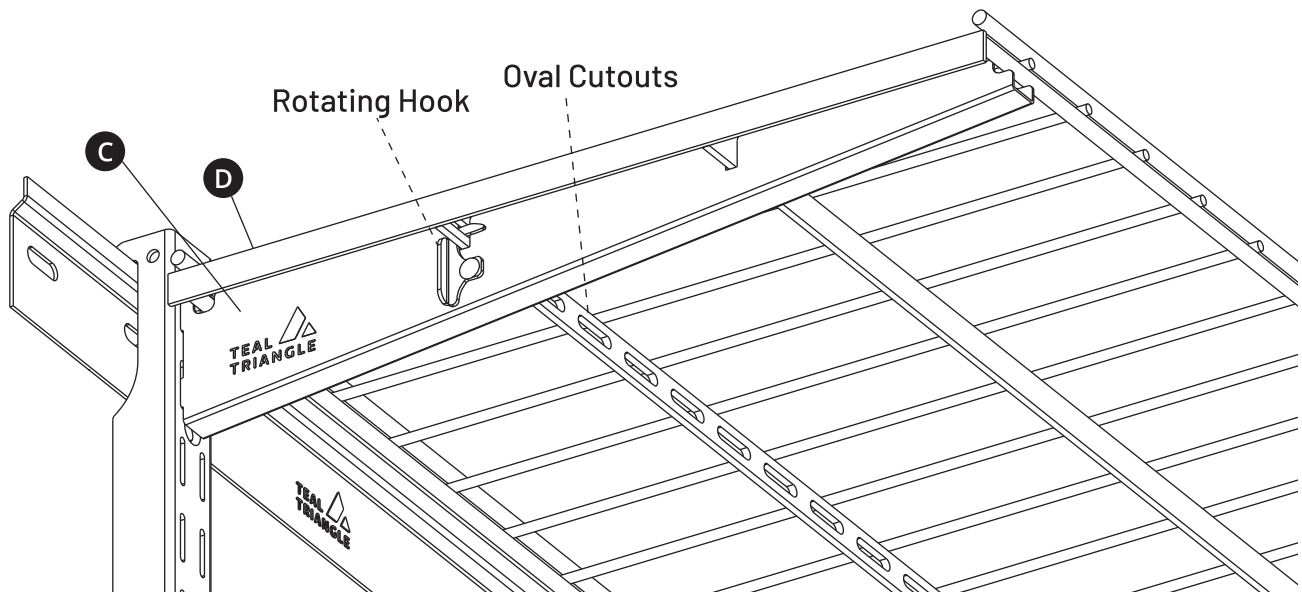


7

Orient and secure the Shelf (D) on top of Shelf Brackets as shown in image below. Adjust it so that the horizontal shelf braces sit within the notches on the brackets; the oval cutouts should be positioned closest to the wall. Confirm that the shelf is not hanging over either side of the shelf bracket more than 9".

8

Use the rotating hooks on the sides of the Shelf Brackets to secure the shelf to the brackets. There are 4 rotating hooks available (2 on each bracket); make sure you use at least one rotating hook on each shelf bracket to properly secure the shelf in place.

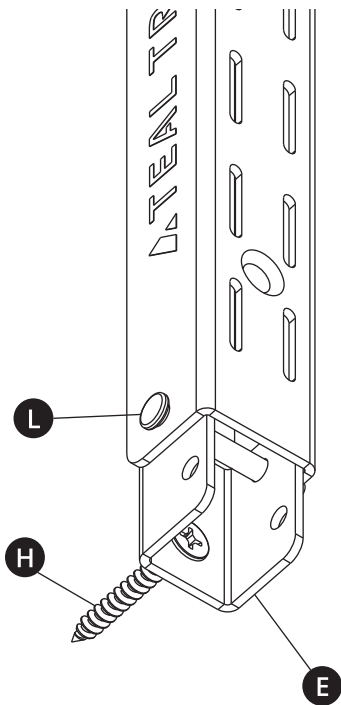
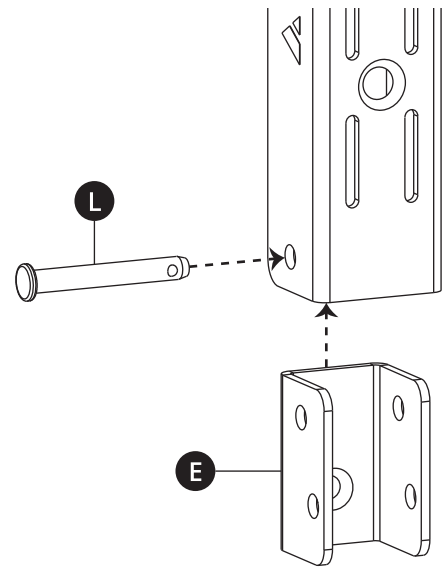


Secure the Vertical Tracks

13

Place a Vertical Connector (E) below the end of a Vertical Track and orient the connector so that the single mounting hole is flush against the wall. The single mounting hole should be positioned so that it is closest to the floor (see image).

Slide the connector partially into the bottom of the Vertical Track, and align the top holes on the connector with the side holes on the track. The connector's single mounting hole should be visible when the holes on both parts are aligned. If not, re-orient the track connector so that it matches the image. Insert a Connector Pin (L) through the aligned holes to secure the parts together.



14

If installing into wood studs: Use a 3/32" (2.5mm) drill bit to drill pilot holes within the single mounting holes on the vertical connectors. Use a #2 Phillips head bit to insert each small screw (H) into the pilot holes to secure the connectors to the wall.

If installing into drywall: Use a 3/16" (5mm) drill bit to drill pilot holes for the Drywall Anchors (I). Insert the drywall anchors. You may need to lightly tap the anchors in with a hammer. Then use a #2 Phillips head bit to insert each small screw (H) into the drywall anchors to secure the connectors to the wall.



Before putting any weight on the system, make sure it is set up correctly and looks like the overview image