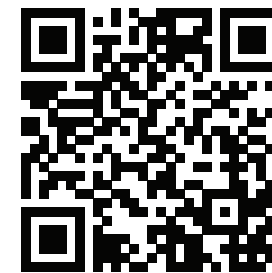


INSTALLATION GUIDE

G-SYSTEM VERTICAL INDOOR RACK



SCAN THIS QR CODE FOR
THE FULL INSTALL VIDEO

IMPORTANT INFORMATION

G-System Vertical Indoor Rack

Manufactured for Spire LLC by Tellbe in Vietnam

Quantity: 1

WARNING! The G-System Vertical Indoor Rack is NOT intended for use by any person under the age of 18 years old. You must be over the age of 18 to install or use the G-System Vertical Indoor Rack.

WARNING! Strictly follow all instructions to avoid an accident, damage to property, personal injury or death.

WARNING! Do not use this product for human suspension. Components can fail causing person to fall, possibly resulting in serious injury or death.

WARNING! When operating system, make sure the area below object is clear of persons. If object comes down too quickly, this can cause an accident.

READ THE ENTIRE USER MANUAL BEFORE INSTALLATION

The User Manual you received with your G-System Vertical Indoor Rack provides instructions on how to install and use your G-System Vertical Indoor Rack. The instructions are written for a person with a basic understanding of tools and procedures. Read the entire manual before proceeding. If you do not understand any portion of the instructions, do not attempt installation, and call 1-877-880-5934.

CORRECTLY INSTALL THE PRODUCT

Read and follow all instructions carefully.

Failure to properly install and use the G-System Vertical Indoor Rack could allow the product to detach from the wall, injuring persons or personal property in the process. Accordingly, it is critical that the G-System Vertical Indoor Rack be installed correctly and according to the instructions in the User Manual.

USE TOOLS SAFELY

The procedures in the User Manual may require climbing ladders and/or operating power tools. Make sure you are familiar with these tools and their safety procedures before attempting to use such tools during installation. Always be aware of electrical wires during installation. Failure to do so could result in an electrical shock or death.

WARNING!

Contact with wires can give you a severe electrical shock, which may cause injury or death. If you do not know where wires are, have the work done by an experienced professional.

IMPORTANT INFORMATION

CAUTION

It is the consumer's responsibility to install this system in accordance with all codes, ordinances, and local regulations.

When installing the G-System Vertical Indoor Rack, it is the consumer's responsibility to ensure the structural integrity of the structure it is being mounted to.

The G-System Vertical Indoor Rack is intended for the storage of sporting equipment only. Do not use it for any other purpose.

This system has a maximum capacity of 400 lbs. Overloading the system could result in damage to property or injury.

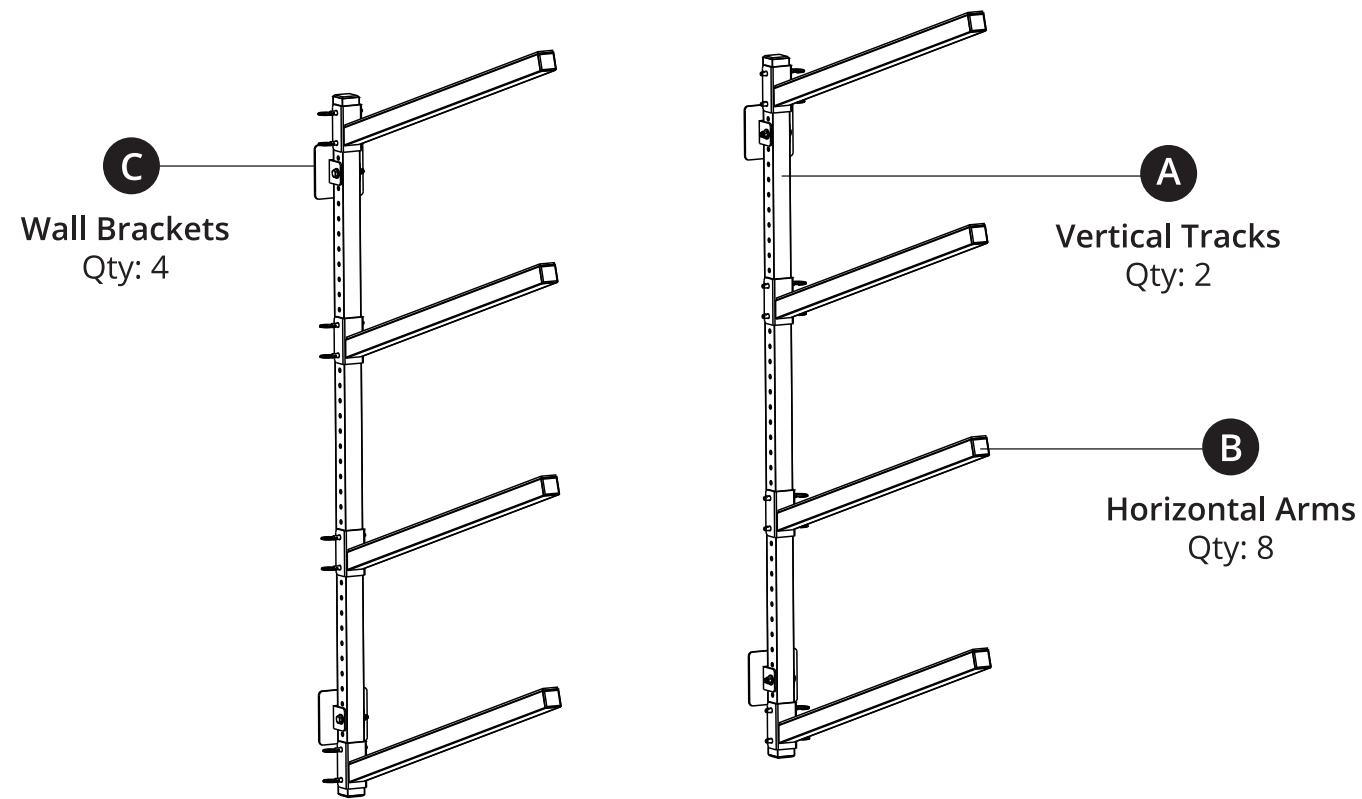
Use extreme caution when loading and unloading equipment from this system.

It is the consumer's responsibility to ensure that the system is in proper working condition before loading objects onto the system. Check tightness of all bolts and screws periodically. Failure to properly maintain the system could result in damage to property or injury.

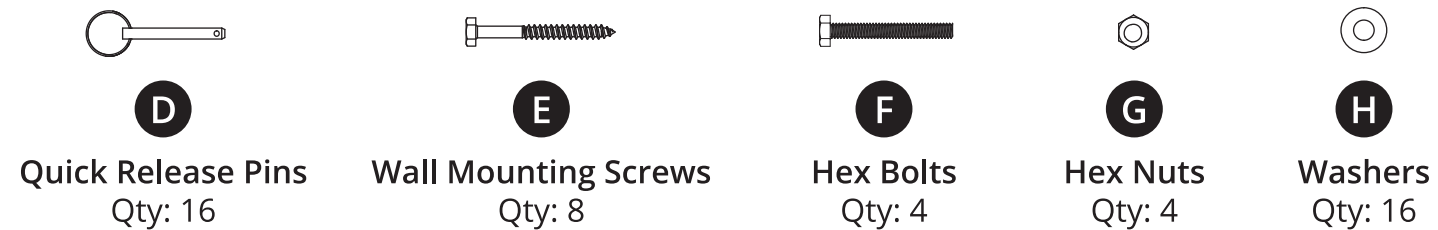
WARNING AND DISCLAIMER

Spire LLC (d/b/a StoreYourBoard) expressly disclaims any and all liability for personal injury, property damage or loss, whether direct, indirect, incidental, resulting from the incorrect mounting, improper use, inadequate maintenance, or neglect of this system.

INSTALLATION



INCLUDED HARDWARE:



RECOMMENDED TOOLS:

Drill/driver
Drill bits
Socket wrench w/ extension
Level
Tape measure
Pencil
Stud finder

WEIGHT LIMITS:

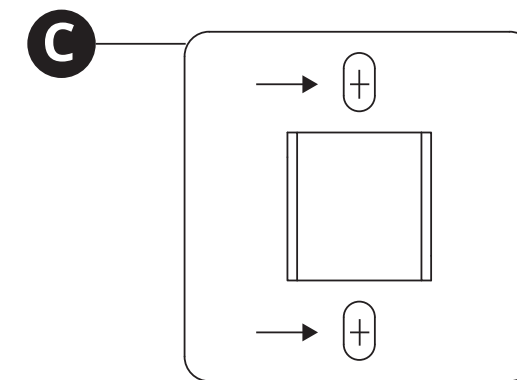
50 lbs. max per storage arm
100 lbs. max per level
400 lbs. max total

*weight must be evenly distributed

NOTE: The G-System Rack must be mounted to studs to achieve the advertised weight limit

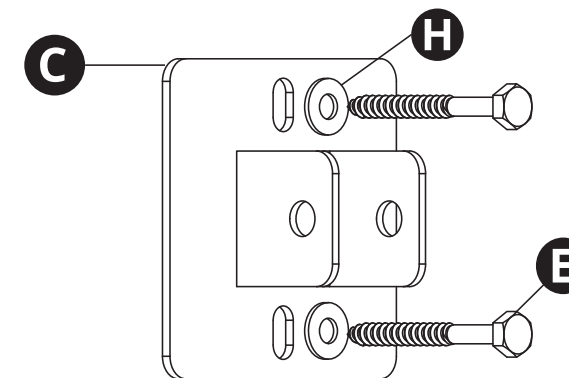
1 Find two studs where you want to mount the product and mark the locations with a pencil. We recommend spacing the Vertical Tracks (A) 3 studs (48") apart for holding kayaks and SUP boards. Change the spacing as needed for your individual items. When choosing a location, keep in mind that a fully assembled rack can be up to 54" tall

2 Align the top left Wall Bracket (C) vertically so the mounting holes are inline with the previously marked stud. Use a level to ensure the Wall Bracket (C) is straight up and down. Use a pencil to mark the middle of the slots.



3 Move the Wall Bracket (C) out of the way, use a 3/32" (2.5mm) drill bit to create pilot holes on the marked locations.

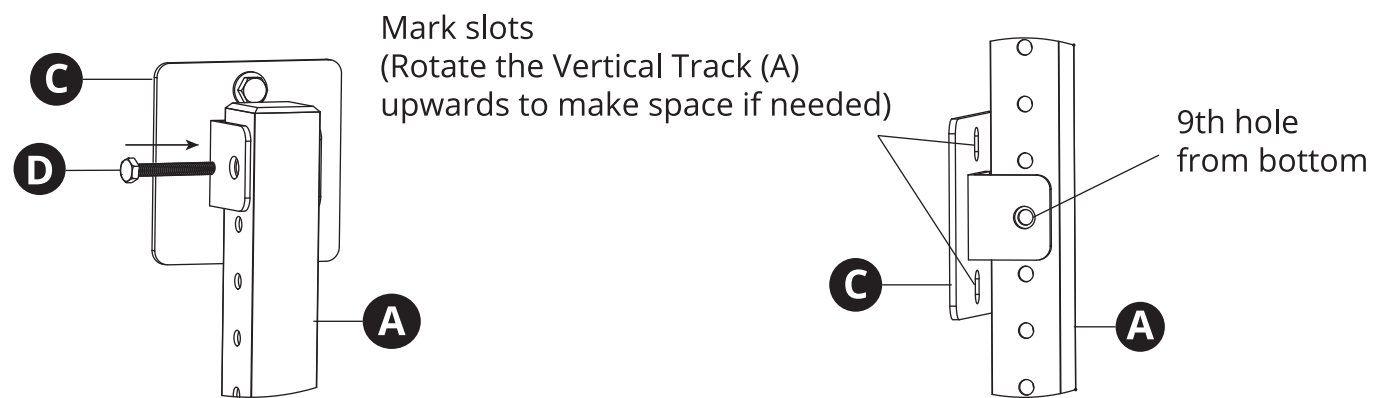
4 Mount the Wall Bracket (C) to the wall using the provided Wall Mounting Screws (E) and Washers (H). Ensure the Wall Bracket (C) is firmly secure.



NOTE: The G-System Rack must be mounted to studs to achieve the advertised weight limit

5

Temporarily attach a Vertical Track (A) to the installed Wall Bracket (C) by inserting a Quick Release Pin (D) through the top hole of the Vertical Track (A) and the Wall Bracket (C). Align the bottom Wall Bracket (C) with the 9th hole from the bottom of the Vertical Track (A). While holding the bottom Wall Bracket (C) in place, mark the mounting holes with a pencil.

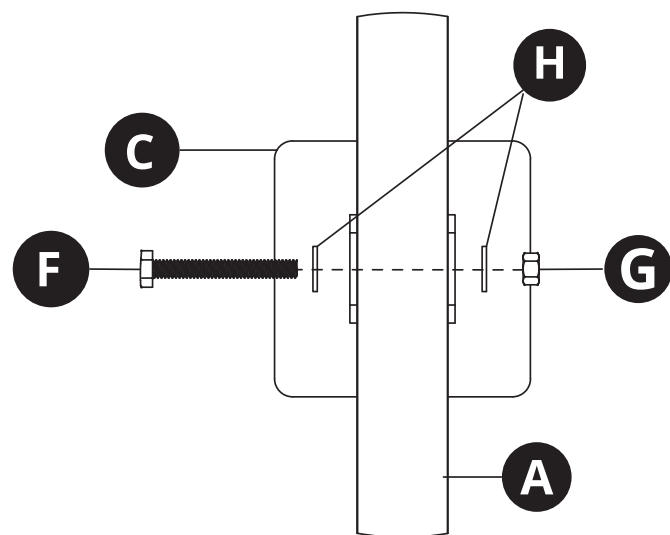


6

Remove the Vertical Track (A) and repeat steps 3 and 4 to drill pilot holes and mount the bottom Wall Bracket (C).

7

With both Wall Brackets (C) secured to the wall, attach the Vertical Track (A) using 1 Hex Bolt (F), 2 Washers (H) and 1 Hex Nut (G) per Wall Mount (C). Evenly space the Vertical Track (A) by fastening to the 5th hole from the top and bottom.



NOTE: The G-System Rack must be mounted to studs to achieve the advertised weight limit

8

Repeat steps 2-7 for the remaining Wall Brackets (C) and Vertical Track (A). Remember to space the system 3 studs (48") apart. Ensure the Wall Brackets (C) are mounted at the same height as the first two or the rack will not be level.

9

Attach the Horizontal Arms (B) to the Vertical Tracks (A) using the Quick Release Pins (D). Ensure the Quick Release Pins (D) pass through both sides of the Wall Bracket (C). Space the Horizontal Arms (B) to the desired height based on what you are storing. The Horizontal Arms (B) should be placed on the same holes on each side to ensure your item will be level.

