



## THANK YOU FOR YOUR PURCHASE!

Please read all instructions before installing this product

### WARNINGS:

It is the user's responsibility to ensure the safe and proper use of this product. StoreYourBoard is not responsible for damages or injuries related to installation or use, including improper or inadequate mounting. Wear eye protection and locate electrical wiring in walls before installation. Not intended for children. **Misuse of this product could result in serious injury or death.**

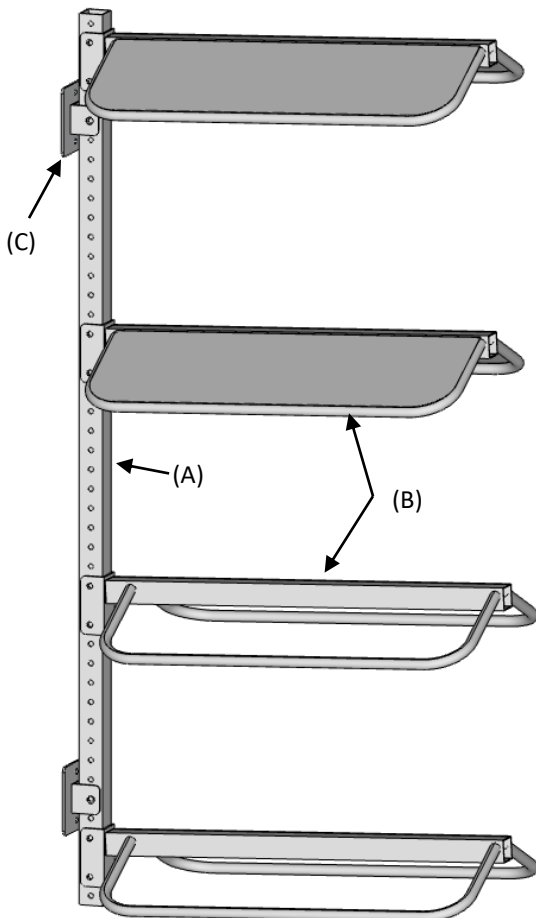
#### Includes:

- (1) 46" Vertical Tracks & Hardware
- (2) English Saddle Attachments & Pins
- (2) Western Saddle Attachments & Pins
- (2) Wall Mount Brackets & Hardware

#### Weight Limits:

- **Up to 50 lbs** per Saddle Attachment (evenly distributed)
- **Up to 200 lbs** rack total (evenly distributed)

### Installation Instructions



#### Part Identification:

- (A) Vertical Track
- (B) Saddle Attachment
- (C) Wall Mount Bracket
- (D) Quick-Release Pin



#### Recommended Tools:

- Drill/Driver
- Nut drivers w/ extension
- Drill bits
- Level & Pencil
- Tape Measure
- Adjustable wrench
- Stud Finder

Prior to installing, please visit the product details page at [www.storeyourboard.com](http://www.storeyourboard.com) to view installation videos.

1. Use a stud finder to locate wall stud(s) for the installation of wall brackets (C). Do not recommend mounting solely in drywall.
2. Determine the desired mounting height of the wall rack.  
Note: The vertical bar is 46" long and the wall mount brackets should be located ~4" from each end of the bar.
3. Plumb (*align vertically*) the upper wall bracket (C) at desired height on wall and mark location of mounting screw holes. Ensure wall bracket is in correct orientation, as shown in pictures. Drill pilot hole where marked, using a drill bit narrower than the screws' threads of the provided wall screw.
4. Securely mount upper wall bracket using wall screws and washers provided.
5. Place the vertical track (A) in the wall bracket just installed so that the 5<sup>th</sup> hole from the top of the vertical track is lined up with the wall bracket holes. Install a quick-release pin (D) thru the bracket holes to temporarily hold the track in place.

- INSTRUCTIONS CONTINUED ON REVERSE SIDE -

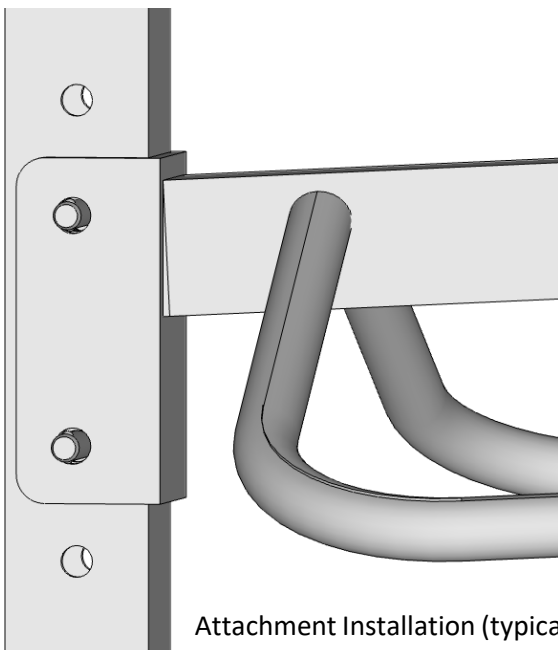
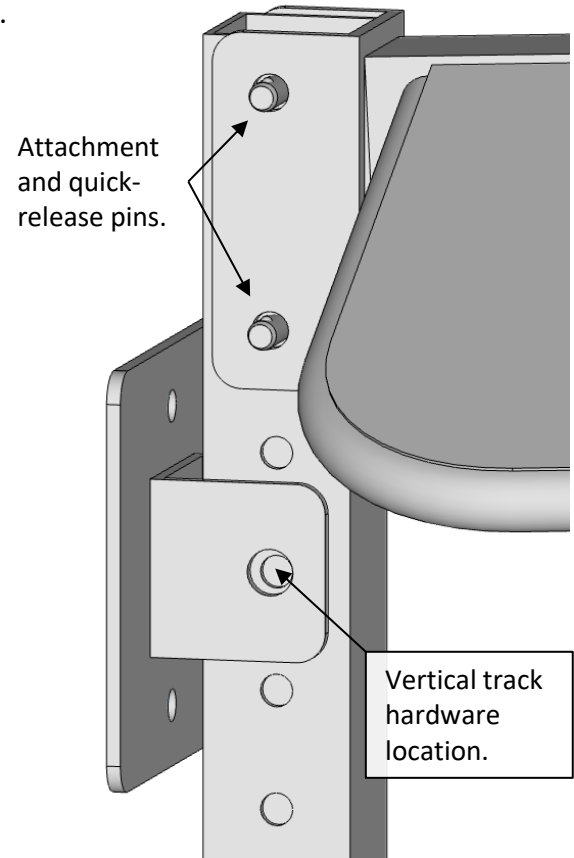


## THANK YOU FOR YOUR PURCHASE!

Please read all instructions before installing this product

### Installation Instructions (cont.)

- Place the next wall bracket on vertical track and align holes with the 5<sup>th</sup> hole from the bottom on the vertical track. Install a quick-release pin (D) thru the wall bracket hole to temporarily hold the bracket in place.
- Ensure vertical track is plumb, then trace outline of the lower wall bracket on to wall with a pencil.
- Remove quick-release pins and vertical track and set aside.
- Place lower wall bracket on wall where outlined was traced in step 7.
- Mark location of mounting screw hole. Drill pilot hole where marked, using a drill bit narrower than the screws' threads of the provided wall screws. Erase pencil markings if desired.
- Securely mount lower wall bracket using wall screws and washers provided.
- Install the vertical track between the mounted wall brackets. Secure the vertical track to wall mounts with the provided vertical bar hardware (bolt, nut & 2 washers). Install a washer on the outsides of each wall bracket.
- Install horizontal arms on the vertical track at desired height and spacing. Slide the saddle attachments on to the vertical track as pictured. Ensure all attachments have the same orientation. Insert quick-release pins fully through the holes provided to secure arms at desired spacing.
- Adjust spacing for each saddle attachment to meet your specific storage needs by removing quick-release pins and sliding attachment up and down vertical track as necessary; reinstall quick-release pins fully thru the horizontal arm after adjusting.



#### We value your feedback:

Help others by leaving a review of your experience with this rack. We at SYB greatly value feedback, and continually look for ways to improve our products to meet your storage needs!