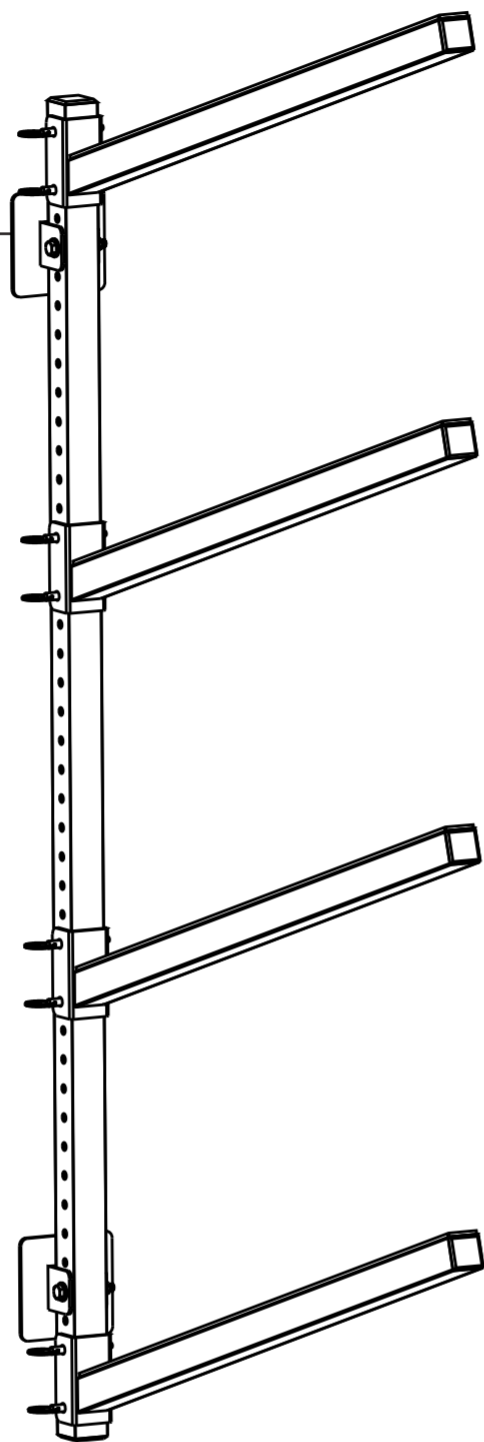
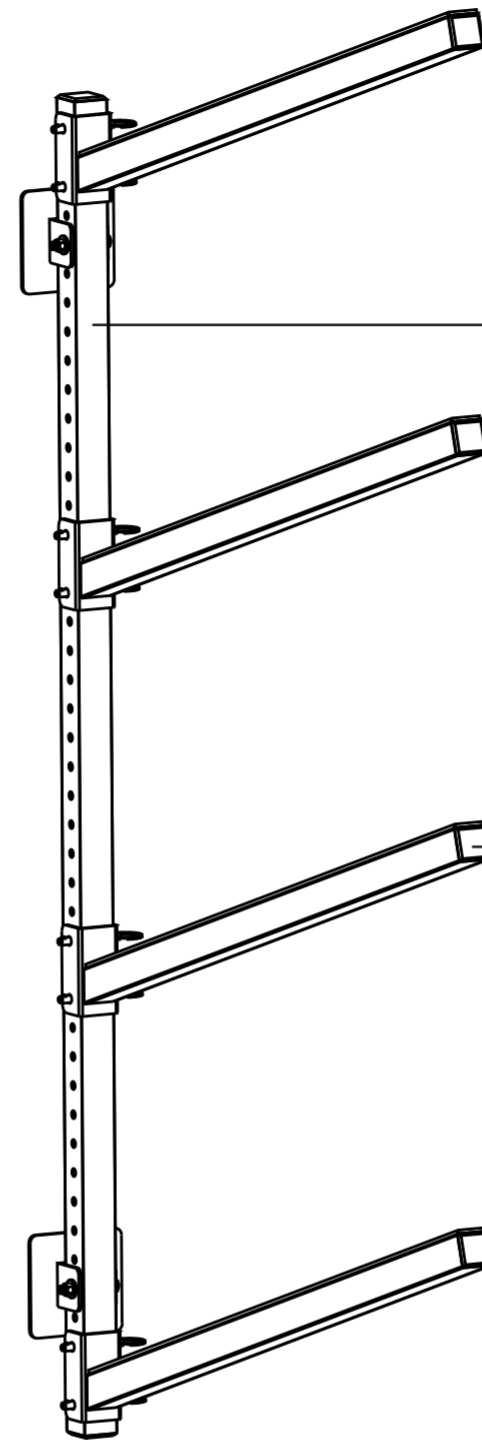


**C**  
Wall Brackets  
Qty: 4

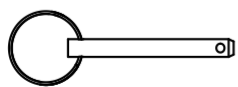


**A**  
Vertical Tracks  
Qty: 2

**B**  
Horizontal Arms  
Qty: 8



## INCLUDED HARDWARE:



**D**  
Quick Release Pins  
Qty: 16



**E**  
Wall Mounting Screws  
Qty: 8



**F**  
Hex Bolts  
Qty: 4



**G**  
Hex Nuts  
Qty: 4



**H**  
Washers  
Qty: 16