

INSTALLATION GUIDE

HI-PORT 2 SINGLE SIDE

IMPORTANT INFORMATION

Hi Port 2 Single Side

Manufactured for Spire LLC by Tellbe in Vietnam

Quantity: 1

WARNING! The Hi Port 2 Single Side is NOT intended for use by any person under the age of 18 years old. You must be over the age of 18 to install or use the Hi Port 2 Single Side.

WARNING! Strictly follow all instructions to avoid an accident, damage to property, personal injury or death.

WARNING! Do not use this product for human suspension. Components can fail causing person to fall, possibly resulting in serious injury or death.

WARNING! When operating system, make sure the area below object is clear of persons. If object comes down too quickly, this can cause an accident.

READ THE ENTIRE USER MANUAL BEFORE INSTALLATION

The User Manual you received with your Hi Port 2 Single Side provides instructions on how to install and use your Hi Port 2 Single Side. The instructions are written for a person with a basic understanding of tools and procedures. Read the entire manual before proceeding. If you do not understand any portion of the instructions, do not attempt installation, and call 1-877-880-5934.

CORRECTLY INSTALL THE PRODUCT

Read and follow all instructions carefully.

Failure to properly install and use the Hi Port 2 Single Side could allow the product to detach from the ceiling, injuring persons or personal property in the process. Accordingly, it is critical that the Hi Port 2 Single Side be installed correctly and according to the instructions in the User Manual.

USE TOOLS SAFELY

The procedures in the User Manual may require climbing ladders and/or operating power tools. Make sure you are familiar with these tools and their safety procedures before attempting to use such tools during installation. Always be aware of electrical wires during installation. Failure to do so could result in an electrical shock or death.

WARNING!

Contact with wires can give you a severe electrical shock, which may cause injury or death. If you do not know where wires are, have the work done by an experienced professional.

IMPORTANT INFORMATION

CAUTION

It is the consumer's responsibility to install this system in accordance with all codes, ordinances, and local regulations.

When installing the Hi Port 2 Single Side, it is the consumer's responsibility to ensure the structural integrity of the structure it is being mounted to.

The Hi Port 2 Single Side is intended for the storage of sporting equipment only. Do not use it for any other purpose.

This system has a maximum capacity of 75 lbs. Overloading the system could result in damage to property or injury.

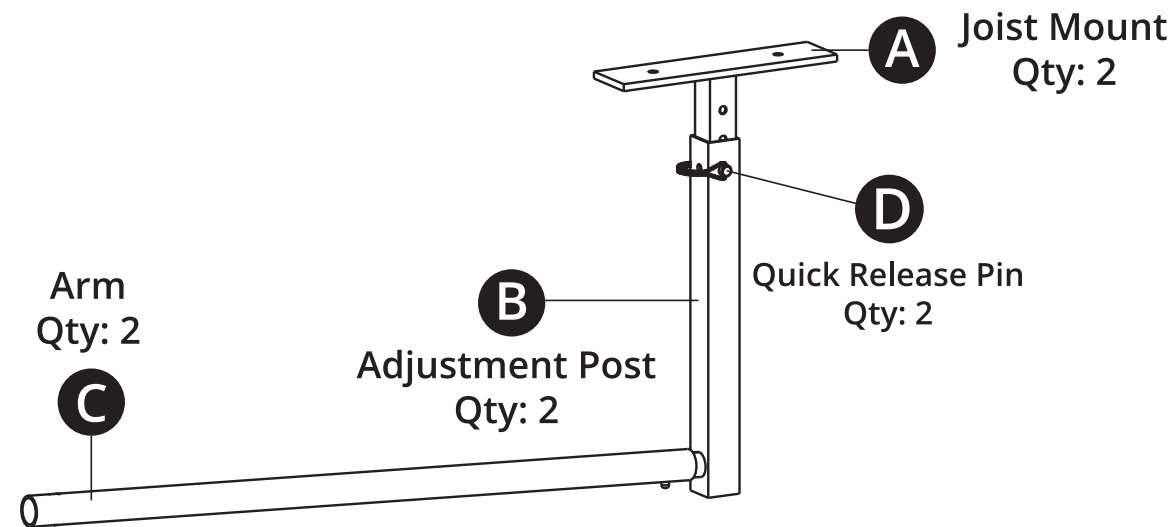
Use extreme caution when loading and unloading equipment from this system.

It is the consumer's responsibility to ensure that the system is in proper working condition before loading objects onto the system. Check tightness of all bolts and screws periodically. Failure to properly maintain the system could result in damage to property or injury.

WARNING AND DISCLAIMER

Spire LLC (d/b/a StoreYourBoard) expressly disclaims any and all liability for personal injury, property damage or loss, whether direct, indirect, incidental, resulting from the incorrect mounting, improper use, inadequate maintenance, or neglect of this system.

INSTALLATION



INCLUDED HARDWARE:



RECOMMENDED TOOLS:

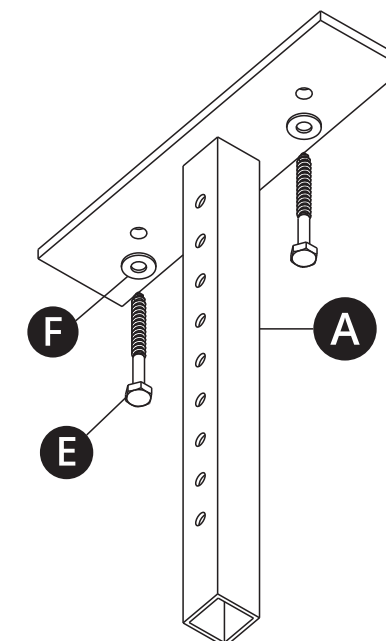
Drill/Driver
Drill bits
Socket/Driver
Level
Tape measure
Pencil
Stud finder

WEIGHT LIMITS:

75 lbs. max

NOTE: The Hi Port 2 Single Side rack must be mounted to joists to achieve the advertised weight limit

- 1** Decide where to mount your Hi-Port 2 and locate ceiling joists. If the ceiling is covered with drywall, use a stud locator to locate joists. Do NOT mount to drywall only! The screws must be fully inserted into joists. When deciding on a proper location, consider the length of the detachable arms and the items you are storing. Boards and kayaks should overhang either side of the arms by a minimum of 12 inches. Note: this product is designed to be mounted parallel with a single joist or perpendicular across multiple joists.
- 2** Remove both Joist Mounts (A) from the Adjustment Posts (B).
- 3** Hold the first Joist Mount (A) against the ceiling joist in the desired location with the mounting holes aligned along the length of the joist. Use a pencil to mark the mounting hole locations.
- 4** Use a 3/32 inch (2.5mm) drill bit to drill pilot holes into the previously marked mounting hole locations. The pilot holes should be the same length or longer than the Wall Screws (E).
- 5** Screw the Joist Mount (A) to the ceiling. A Machine Washer (F) should be used between the Joist Mount (A) and the Wall Screw (E) as shown in the figure below.



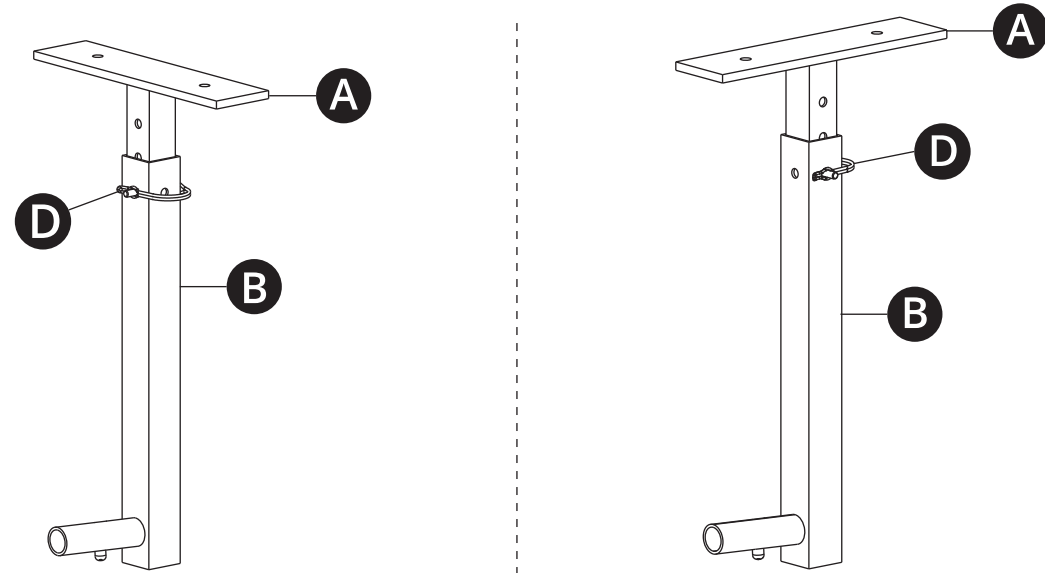
NOTE: The Hi Port 2 Single Side rack must be mounted to joists to achieve the advertised weight limit

6

Repeat steps 3-5 to mount the second Joist Mount (A). Remember to space accordingly to fit your items. Note: this product is designed to be mounted parallel with a single joist or perpendicular across multiple joists.

7

Attach the Adjustment Posts (B) onto both Joist Mounts (A) by aligning the holes on each part and inserting the Quick Release Pin (D). Ensure both Adjustment Posts (B) are at the same height. See below for the correct configuration for each setup.



Single Joist Configuration

Multiple Joist Configuration

8

Slide the Arms (C) into place on the Adjustment Posts (B). Press the spring button on the Adjustment Post (B) and slide the Arms (C) until the spring button clicks through the hole on the Arm (C).

