

# INSTALLATION GUIDE

## HITCH WALL MOUNT



SCAN THIS QR CODE FOR  
THE FULL INSTALL VIDEO.

# IMPORTANT INFORMATION

---

Hitch Wall Mount

Manufactured for Spire LLC by Tellbe in Vietnam

Quantity: 1

**WARNING! The Hitch Wall Mount is NOT intended for use by any person under the age of 18 years old. You must be over the age of 18 to install or use the Hitch Wall Mount.**

**WARNING! Strictly follow all instructions to avoid an accident, damage to property, personal injury or death.**

**WARNING! Do not use this product for human suspension. Components can fail causing person to fall, possibly resulting in serious injury or death.**

**WARNING! When operating system, make sure the area below object is clear of persons. If object comes down too quickly, this can cause an accident.**

## **READ THE ENTIRE USER MANUAL BEFORE INSTALLATION**

The User Manual you received with your Hitch Wall Mount provides instructions on how to install and use your Hitch Wall Mount. The instructions are written for a person with a basic understanding of tools and procedures. Read the entire manual before proceeding. If you do not understand any portion of the instructions, do not attempt installation, and email [info@storeyourboard.com](mailto:info@storeyourboard.com)

## **CORRECTLY INSTALL THE PRODUCT**

Read and follow all instructions carefully.

Failure to properly install and use the Hitch Wall Mount could allow the product to detach from the wall, injuring persons or personal property in the process. Accordingly, it is critical that the Hitch Wall Mount be installed correctly and according to the instructions in the User Manual.

## **USE TOOLS SAFELY**

The procedures in the User Manual may require climbing ladders and/or operating power tools. Make sure you are familiar with these tools and their safety procedures before attempting to use such tools during installation. Always be aware of electrical wires during installation. Failure to do so could result in an electrical shock or death.

## **WARNING!**

Contact with wires can give you a severe electrical shock, which may cause injury or death. If you do not know where wires are, have the work done by an experienced professional.

# IMPORTANT INFORMATION

---

## **CAUTION**

It is the consumer's responsibility to install this system in accordance with all codes, ordinances, and local regulations.

When installing the Hitch Wall Mount, it is the consumer's responsibility to ensure the structural integrity of the structure it is being mounted to.

The Hitch Wall Mount is intended for the storage of hitch racks only. Do not use it for any other purpose.

This system has a maximum capacity of 175 lbs per unit. Overloading the system could result in damage to property or injury.

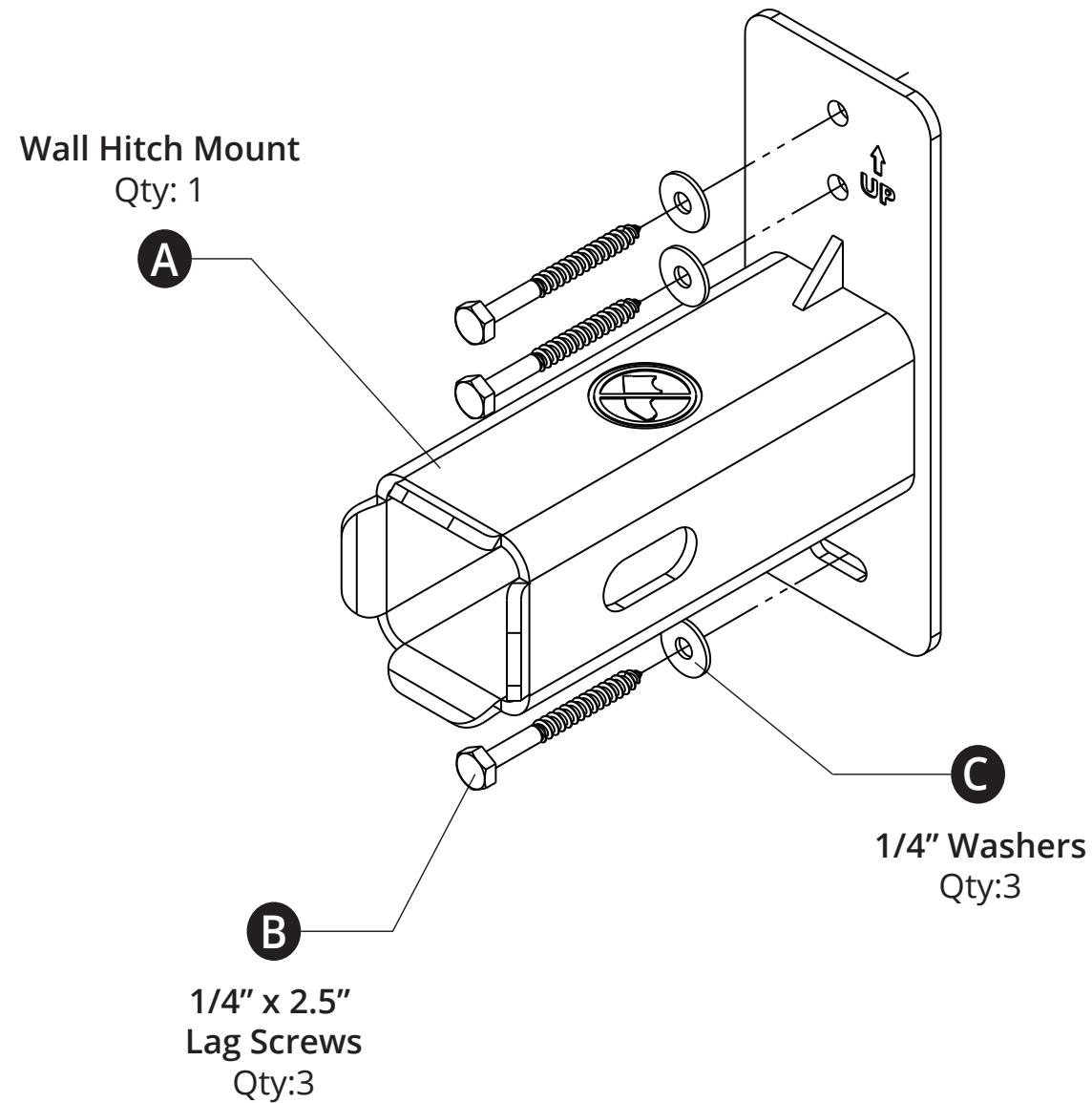
Use extreme caution when loading and unloading equipment from this system.

It is the consumer's responsibility to ensure that the system is in proper working condition before loading objects onto the system. Check tightness of all bolts and screws periodically. Failure to properly maintain the system could result in damage to property or injury.

## **WARNING AND DISCLAIMER**

Spire LLC (d/b/a StoreYourBoard) expressly disclaims any and all liability for personal injury, property damage or loss, whether direct, indirect, incidental, resulting from the incorrect mounting, improper use, inadequate maintenance, or neglect of this system.

# INSTALLATION



## RECOMMENDED TOOLS:

Drill/Driver  
3/16" Drill bit  
1/2" / 12mm Socket/Driver  
Level  
Pencil  
Stud finder

## WEIGHT LIMITS:

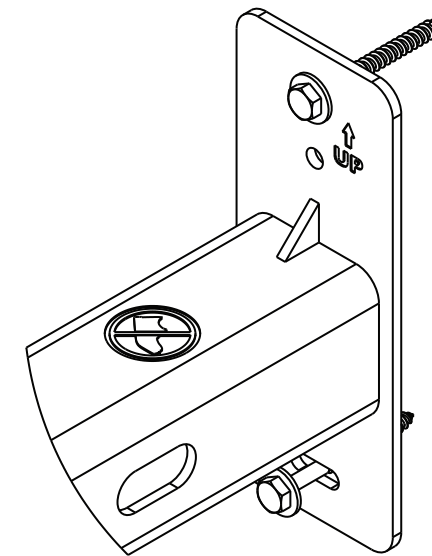
175 lbs

## PRODUCT OVERVIEW:

This Wall Hitch Mount is intended to store a hitch rack on a wall and is secured with the hitch pin that came with your hitch rack.

**NOTE:** The Wall Hitch Mount must be mounted to studs.

- 1 Use a stud finder to find the stud where you want to mount the product and mark the location with a pencil. Measure the width of the accessory you intend to mount and ensure that there is enough room to mount/dismount the product from the Wall Hitch Mount.
- 2 Hold the Wall Hitch Mount (A) up to the wall and align the mounting slots with the center of the stud. Make sure the arrow is facing up. Use a level to ensure the rack sits level to the ground and mark the top hole and bottom slot with a pencil.
- 3 Use a 3/16 inch drill bit to drill pilot holes in the top and bottom hole locations.
- 4 Partially insert lag screws and washers into the top and bottom hole locations. Snug up the top screw but don't fully tighten as to ensure the rack can still pivot with light resistance. Leave the bottom screw partially inserted.



- 5 Use a level to level the Wall Hitch Mount and tighten the top and bottom screws fully.
- 6 Use a 3/16 inch drill bit to drill a pilot hole into the middle hole location.
- 7 Insert the last lag screw and washer, and fully tighten.
- 8 Insert your hitch rack into the receiver and secure it with a hitch pin.  
**NOTE:** Hitch pin is not included. Use the pin that came with your hitch rack.