

INSTALLATION GUIDE

HORIZONTAL TOOL ORGANIZER

IMPORTANT INFORMATION

Horizontal Tool Organizer

Manufactured for Spire LLC in Vietnam

Quantity: 1

WARNING! The Horizontal Tool Organizer is NOT intended for use by any person under the age of 18 years old. You must be over the age of 18 to install or use the Horizontal Tool Organizer.

WARNING! Strictly follow all instructions to avoid an accident, damage to property, personal injury or death.

WARNING! Do not use this product for human suspension. Components can fail causing person to fall, possibly resulting in serious injury or death.

WARNING! When operating system, make sure the area below object is clear of persons. If object comes down too quickly, this can cause an accident.

READ THE ENTIRE USER MANUAL BEFORE INSTALLATION

The User Manual you received with your Horizontal Tool Organizer provides instructions on how to install and use your Horizontal Tool Organizer. The instructions are written for a person with a basic understanding of tools and procedures. Read the entire manual before proceeding. If you do not understand any portion of the instructions, do not attempt installation, and email info@storeyourboard.com.

CORRECTLY INSTALL THE PRODUCT

Read and follow all instructions carefully.

Failure to properly install and use the Horizontal Tool Organizer could allow the product to detach from the wall, injuring persons or personal property in the process. Accordingly, it is critical that the Horizontal Tool Organizer be installed correctly and according to the instructions in the User Manual.

USE TOOLS SAFELY

The procedures in the User Manual may require climbing ladders and/or operating power tools. Make sure you are familiar with these tools and their safety procedures before attempting to use such tools during installation. Always be aware of electrical wires during installation. Failure to do so could result in an electrical shock or death.

WARNING!

Contact with wires can give you a severe electrical shock, which may cause injury or death. If you do not know where wires are, have the work done by an experienced professional.

IMPORTANT INFORMATION

CAUTION

It is the consumer's responsibility to install this system in accordance with all codes, ordinances, and local regulations.

When installing Horizontal Tool Organizer, it is the consumer's responsibility to ensure the structural integrity of the structure it is being mounted to.

The Horizontal Tool Organizer is intended for the storage of long handled garden tools only. Do not use it for any other purpose.

This system has a maximum capacity of 100 lbs. Overloading the system could result in damage to property or injury.

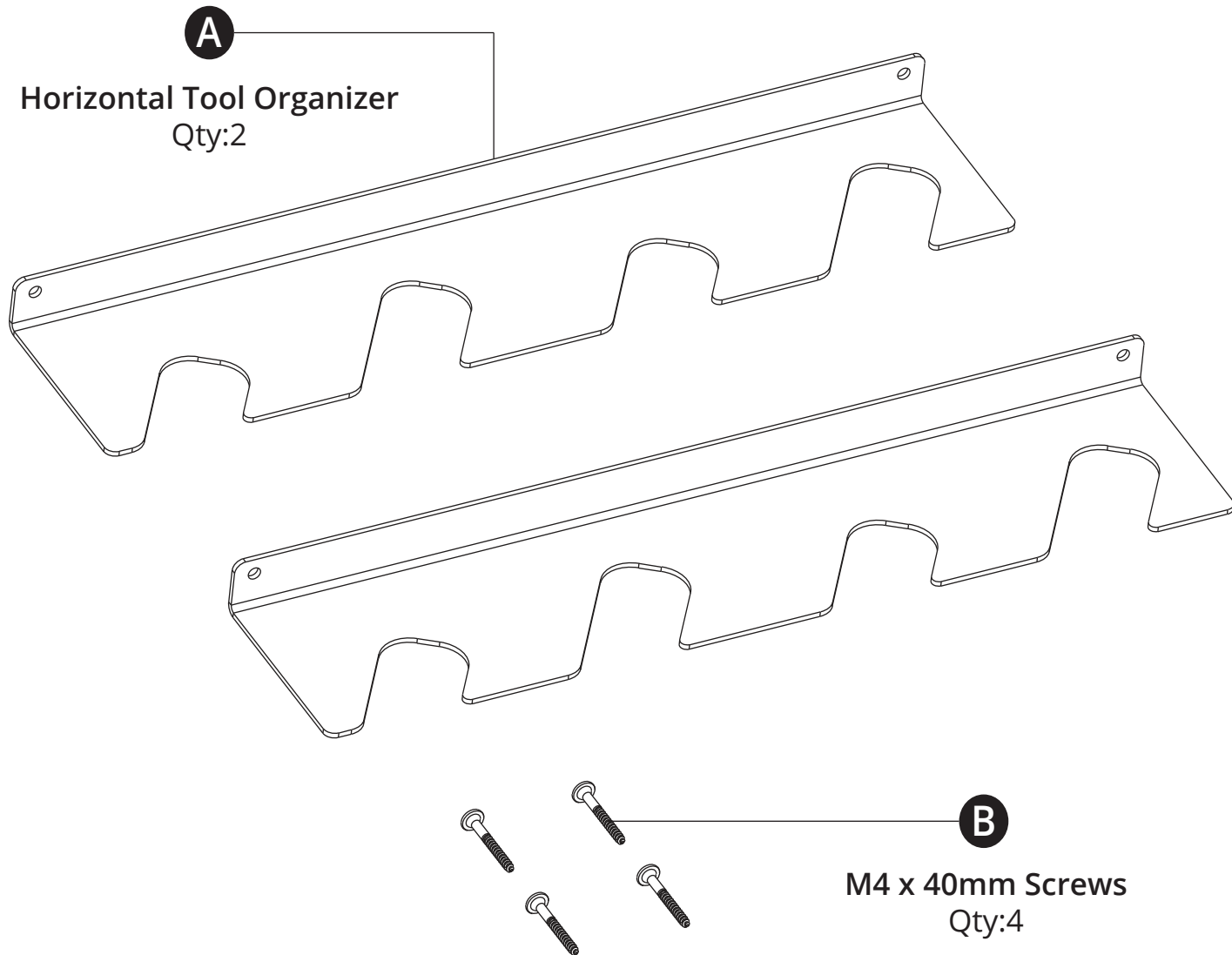
Use extreme caution when loading and unloading equipment from this system.

It is the consumer's responsibility to ensure that the system is in proper working condition before loading objects onto the system. Check tightness of all bolts and screws periodically. Failure to properly maintain the system could result in damage to property or injury.

WARNING AND DISCLAIMER

Spire LLC (d/b/a StoreYourBoard) expressly disclaims any and all liability for personal injury, property damage or loss, whether direct, indirect, incidental, resulting from the incorrect mounting, improper use, inadequate maintenance, or neglect of this system.

INSTALLATION



RECOMMENDED TOOLS:

Drill/Driver
Drill bits
Phillips Screwdriver
Level
Tape measure
Pencil
Stud finder

WEIGHT LIMITS:

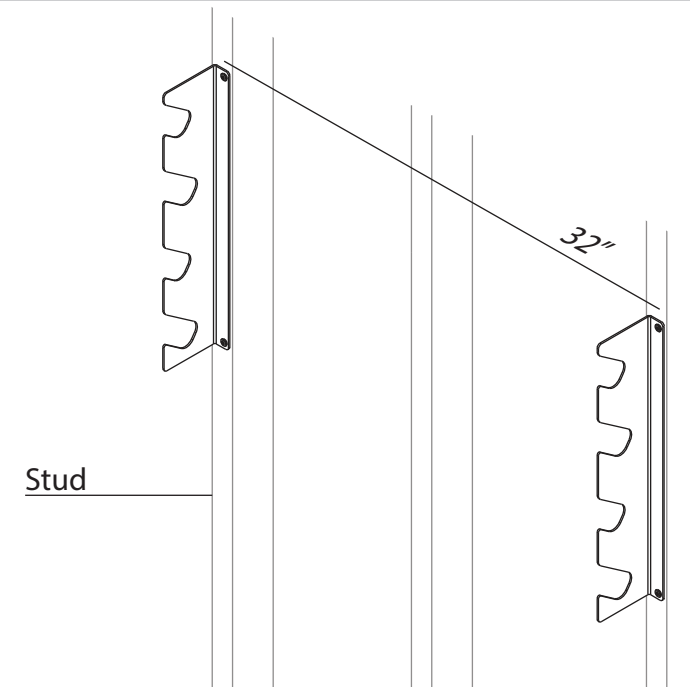
100 lbs. max with stud placement.

NOTE: Horizontal Tool Organizer must be mounted to a wall stud to achieve the maximum advertised weight limit

1

Locate Wall Studs

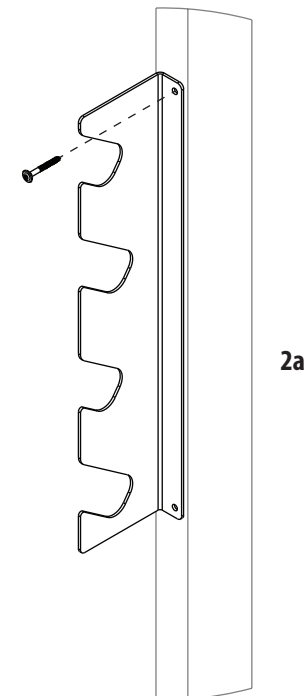
Begin by using a stud finder to identify two suitable wall studs for mounting. While a spacing of 32" generally works well for long-handled tools like shovels, rakes, and brooms, measure your tools to determine the optimal arrangement.



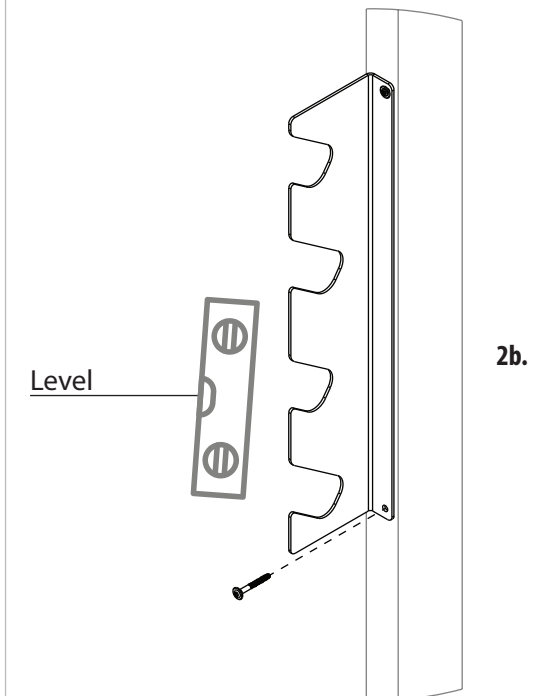
2

Mount Horizontal Tool Organizer

2a. Hold the Horizontal Tool Organizer (A) against the wall, aligning the mounting hole with the stud location. Pre-drill using a 1/8" drill bit and secure the top hole with an M4 x 40mm screw (B) using either a phillips screw driver or drill with the proper driver bit.



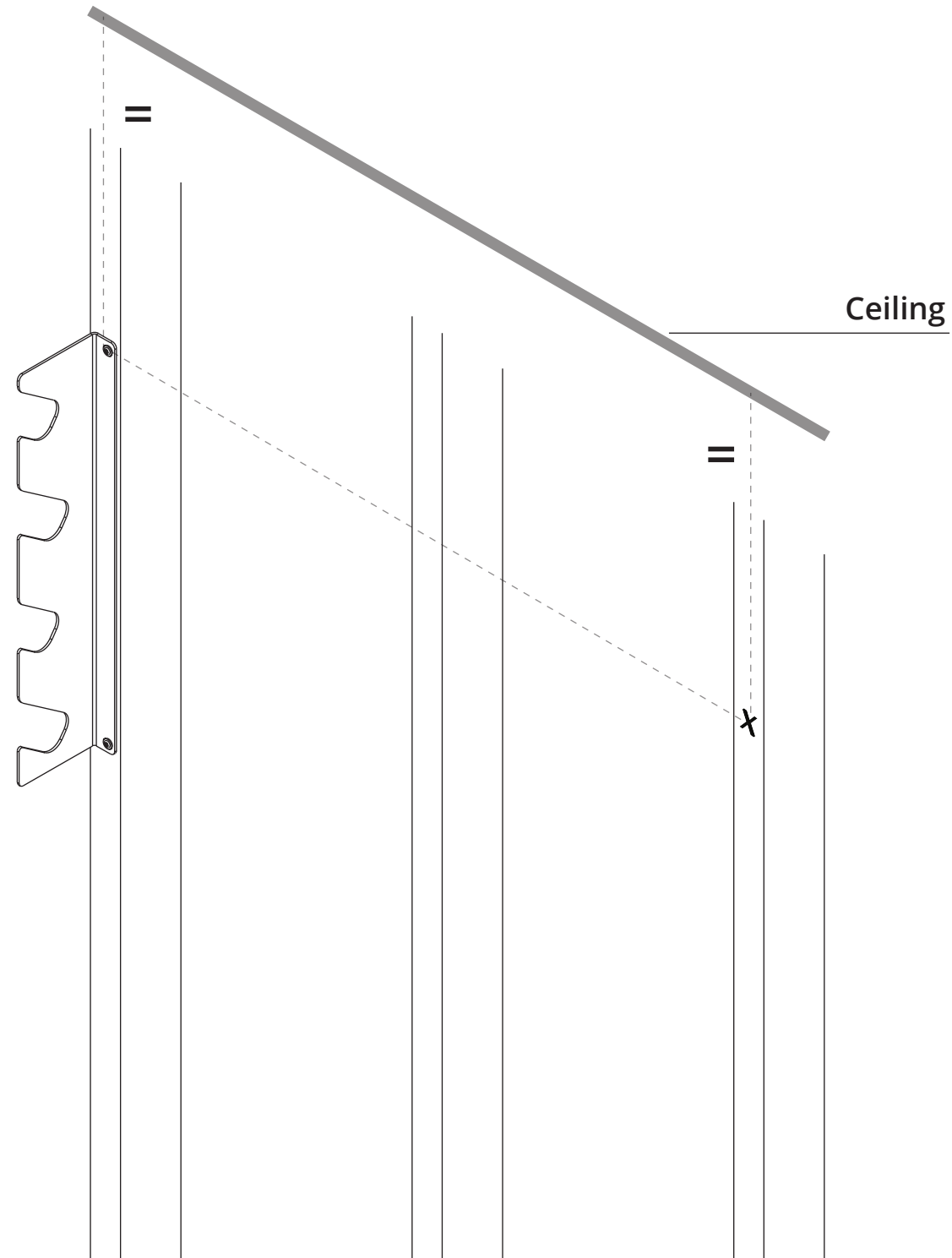
2b. Use a level to ensure the rack is perpendicular to the floor, then pre-drill and secure the bottom hole with another M4 x 40mm screw. This ensures a stable and level installation.



INSTALLATION

3 Measure Reference Distance

Utilize a tape measure to determine the distance from the floor (or ceiling) to the top hole of the mounted Horizontal Tool Organizer (A). This measurement serves as a reference for mounting the second organizer.



4 Install Second Organizer (A)

Repeat Step 2 for the second Horizontal Tool Organizer (A), aligning its top hole with the established reference distance. This ensures a consistent and balanced installation. Complete the process to finish the overall installation of the tool organizers.

