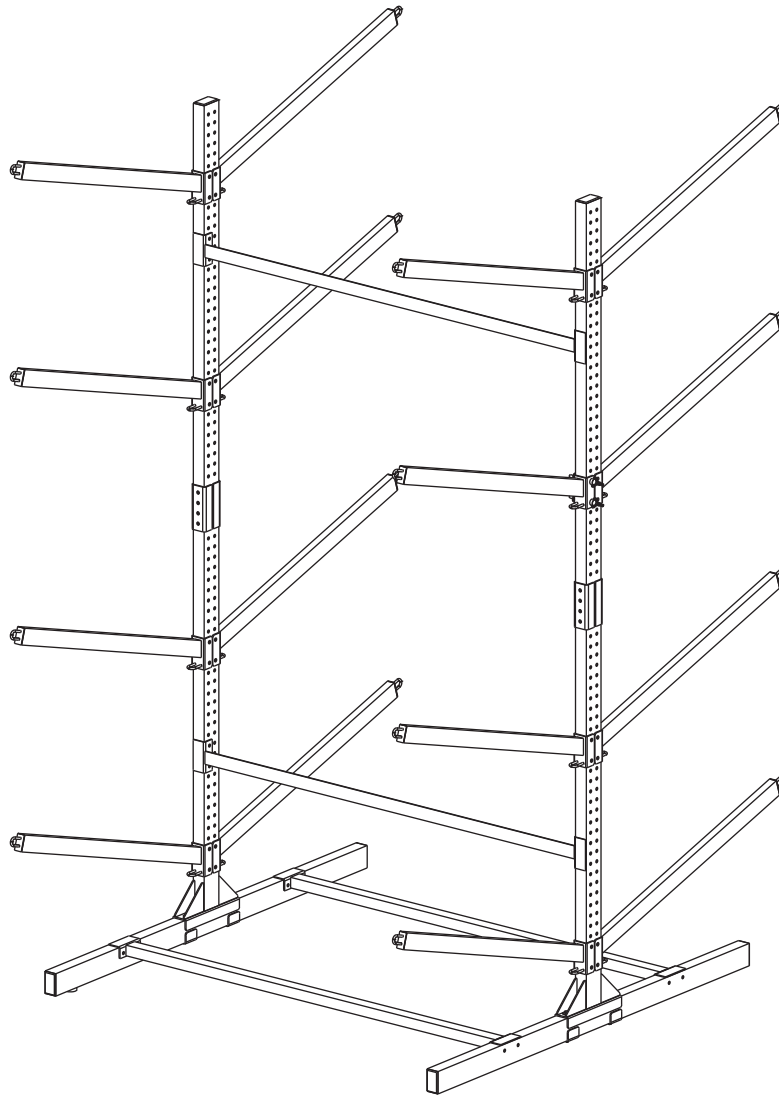


# ▲ TEAL TRIANGLE



## INSTALLATION GUIDE

### G-SYSTEM FREESTANDING



SCAN THIS QR CODE FOR  
THE FULL INSTALL VIDEO.

Questions or Concerns?

Contact us at:  [support@tealtriangle.com](mailto:support@tealtriangle.com)

# IMPORTANT INFORMATION

---

G-Watersport 8

Manufactured for Spire LLC in Vietnam

Quantity: 1

**WARNING! The Freestanding G-System Rack is NOT intended for use by any person under the age of 18 years old. You must be over the age of 18 to install or use the Freestanding G-System Rack.**

**WARNING! Strictly follow all instructions to avoid an accident, damage to property, personal injury or death.**

**WARNING! Do not use this product for human suspension. Components can fail causing person to fall, possibly resulting in serious injury or death.**

**WARNING! When operating system, make sure the area below object is clear of persons. If object comes down too quickly, this can cause an accident.**

## **READ THE ENTIRE USER MANUAL BEFORE INSTALLATION**

The User Manual you received with your Freestanding G-System Rack provides instructions on how to install and use your Freestanding G-System Rack. The instructions are written for a person with a basic understanding of tools and procedures. Read the entire manual before proceeding. If you do not understand any portion of the instructions, do not attempt installation, and email [support@tealtriangle.com](mailto:support@tealtriangle.com).

## **CORRECTLY INSTALL THE PRODUCT**

Read and follow all instructions carefully.

Failure to properly install and use the Freestanding G-System Rack could allow the product to dismantle or tip over, injuring persons or personal property in the process. Accordingly, it is critical that the Freestanding G-System Rack be installed correctly and according to the instructions in the User Manual.

## **USE TOOLS SAFELY**

The procedures in the User Manual may require climbing ladders and/or operating power tools. Make sure you are familiar with these tools and their safety procedures before attempting to use such tools during installation. Always be aware of electrical wires during installation. Failure to do so could result in an electrical shock or death.

## **CAUTION**

It is the consumer's responsibility to install this system in accordance with all codes, ordinances, and local regulations.

When installing the Freestanding G-System Rack, it is the consumer's responsibility to ensure the structural integrity of the structure it is being mounted to.

The Freestanding G-System Rack is intended for the storage of sporting equipment only. Do not use it for any other purpose.

This system has a maximum capacity stated in the following section. Overloading the system could result in damage to property or injury.

Use extreme caution when loading and unloading equipment from this system.

It is the consumer's responsibility to ensure that the system is in proper working condition before loading objects onto the system. Check tightness of all bolts and screws periodically. Failure to properly maintain the system could result in damage to property or injury.

## **WARNING AND DISCLAIMER**

Spire LLC (d/b/a Teal Triangle) expressly disclaims any and all liability for personal injury, property damage or loss, whether direct, indirect, incidental, resulting from the incorrect mounting, improper use, inadequate maintenance, or neglect of this system.

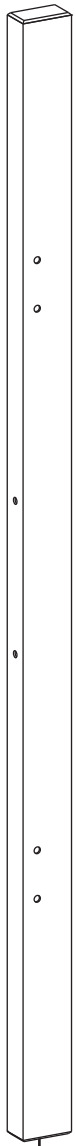
# G-SYSTEM PARTS

## REQUIRED TOOLS:

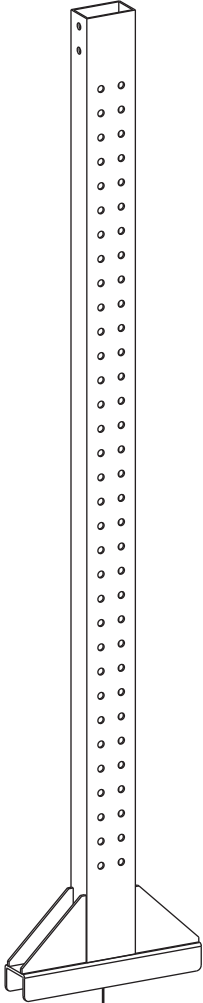
10mm socket  
10mm or adjustable wrench

## WEIGHT LIMITS:

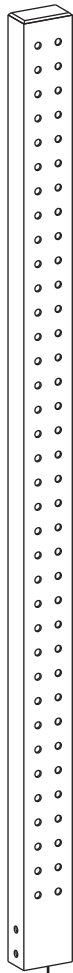
50 lbs. max per attachment  
300 lbs. max total



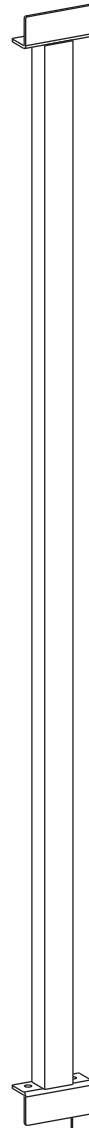
**A**  
Base  
Qty 2



**B**  
Lower Vertical Track  
Qty 2



**C**  
Upper Vertical Track  
Qty 2



**D**  
Horizontal Support  
Qty 4



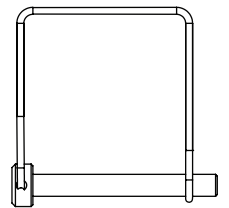
**G**  
Base Bracket  
Qty 4



**F**  
Upper Bracket  
Qty 4



**E**  
Attachment Arm  
Qty 16



**H**  
Gated Pin  
Qty 32

# G-SYSTEM HARDWARE



**K**  
M6-1.0 x 50mm  
Small Hex Bolts  
Qty: 16



**L**  
M6-1.0 x 70mm  
Medium Hex Bolts  
Qty: 4



**M**  
M6-1.0 x 80mm  
Large Hex Bolts  
Qty: 8



**N**  
M6-1.0  
Hex Nuts  
Qty: 28



**O**  
Small  
M6 Washers  
Qty: 48

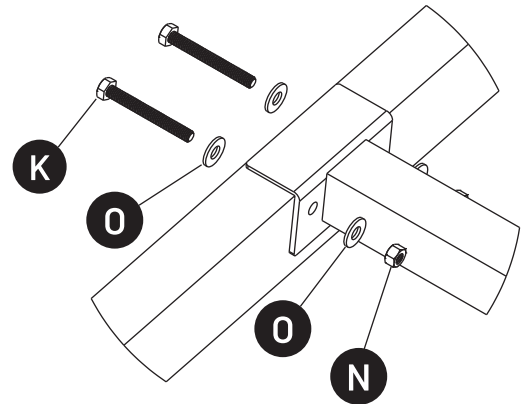
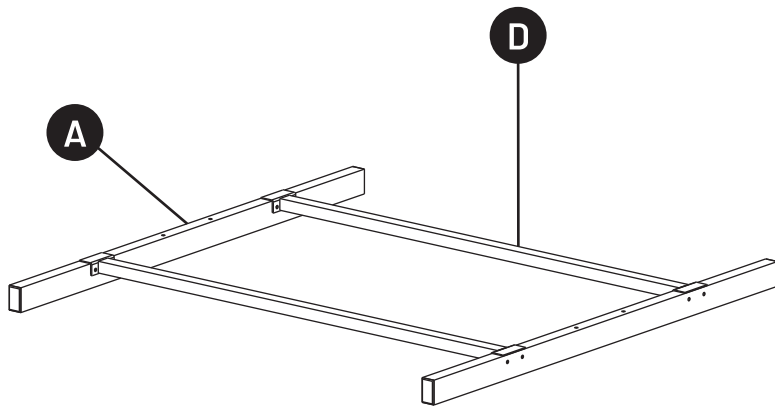


**P**  
Large  
M6 Washers  
Qty: 4

1

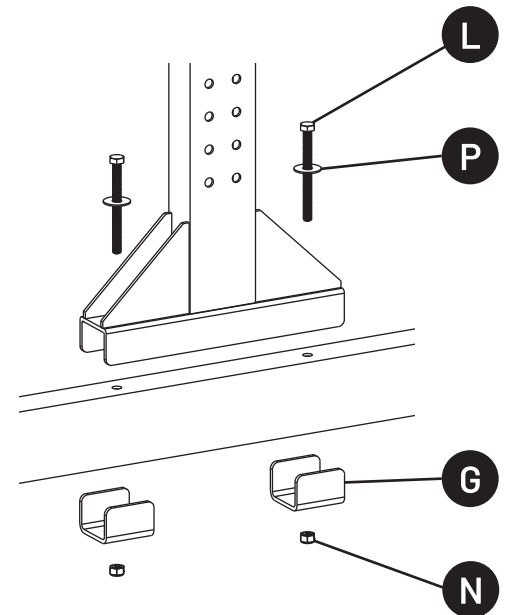
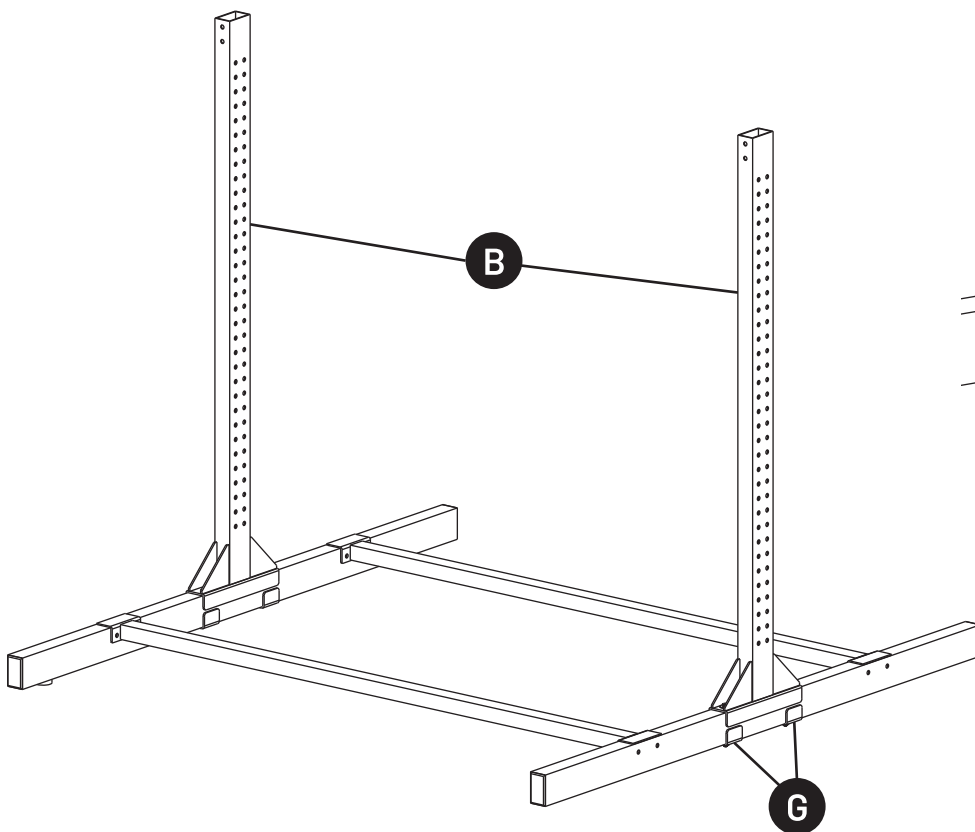
Fasten two Horizontal Supports (D) to the left and right Base (A). Use 8 Small Hex Bolts (K), 16 Small Washers (O), and 8 Hex Nuts (N) for this step. Take note of the hardware configuration in the picture.

Typical Hardware Configuration



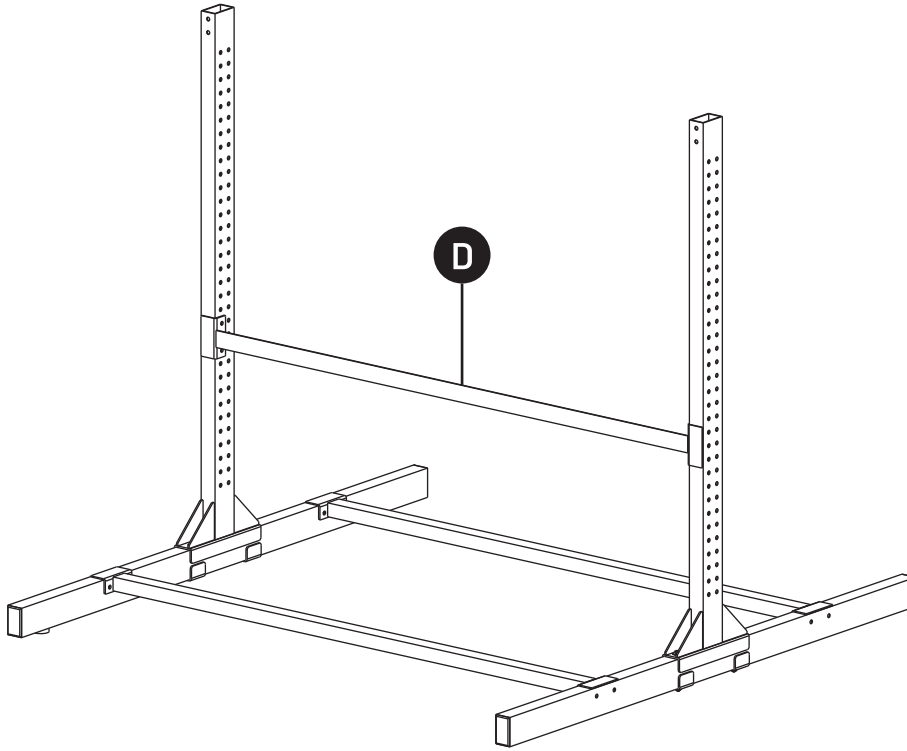
2

Fasten each Lower Vertical Track (B) to the Base (A) with Base Brackets (G) as shown in the image. Use 4 Medium Hex Bolts (L), 4 Large Washers (P), and 4 Hex Nuts (N) for this step. Take note of the orientation in the picture.

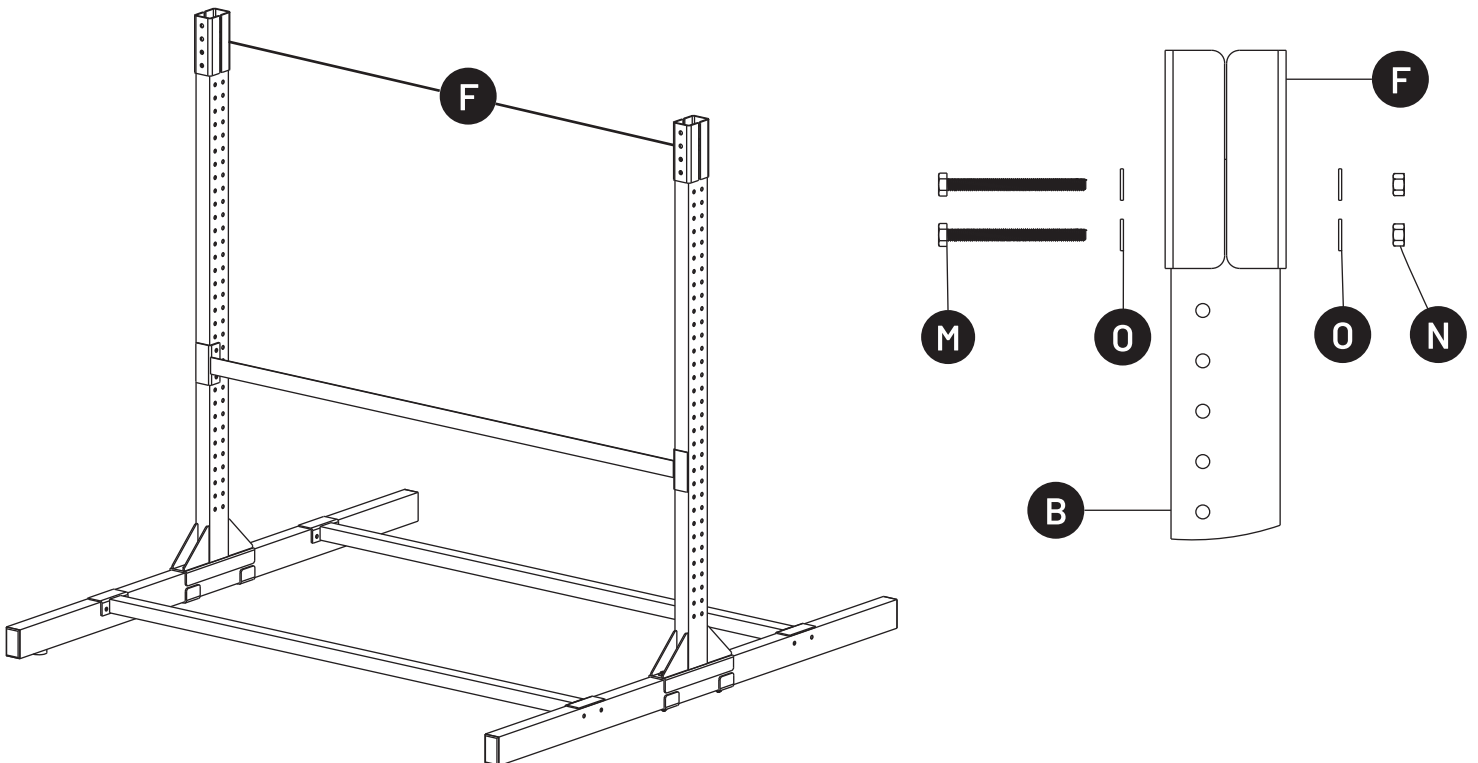


**3**

Assemble the lower Horizontal Support (D) to both of the Lower Vertical Tracks (B) at about the halfway point as seen below. Use 4 Small Hex Bolts (K), 8 Small Washers (O), and 4 Hex Nuts (N) for this step.

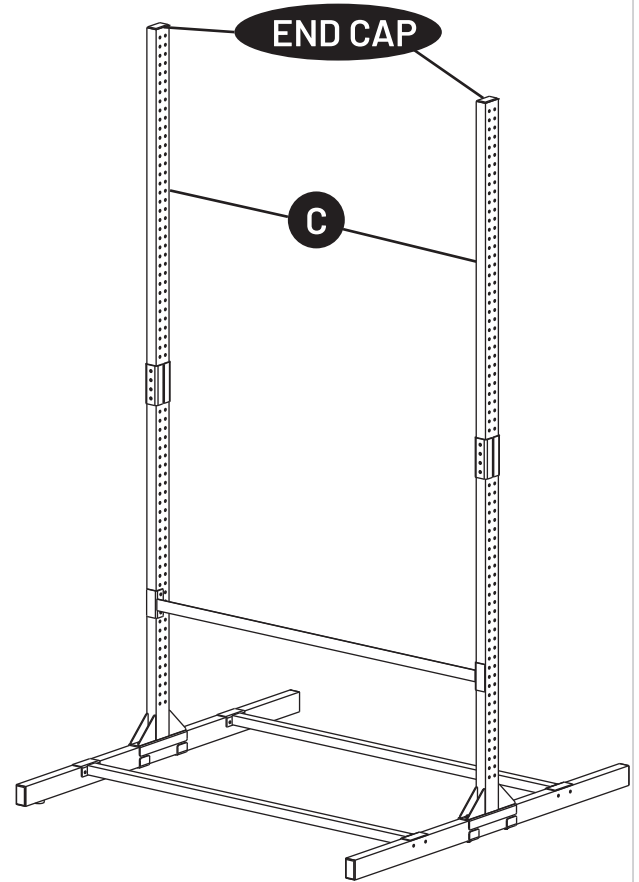
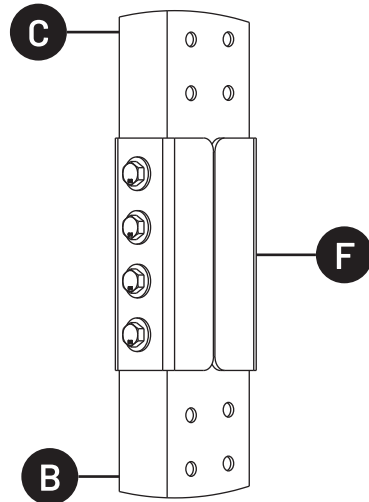
**4**

Fasten the Upper Brackets (F) onto both Lower Vertical Tracks (B) by aligning the bottom two holes on the Upper Brackets (F) with the top two holes on the Lower Vertical Tracks. Use 4 Large Hex Bolts (M), 8 Small Washers (O), and 4 Hex Nuts (N) for this step. Tip: Fully tighten the hardware and then loosen 1 turn for the next step.



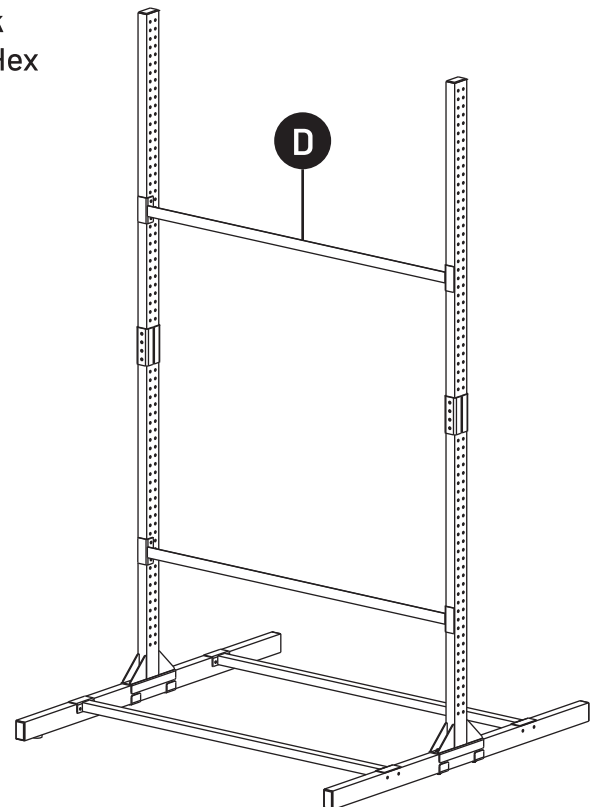
5

Assemble the Upper Vertical Tracks (C) by aligning the two bottom holes to the remaining two holes on the Upper Bracket (F). Use 4 Large Hex Bolts (M), 8 Small Washers (O), and 4 Hex Nuts (N) for this step. Do not forget to tighten the hardware from last step as well. Note: Ensure the end cap is at the top of the Upper Vertical Track before installing.



6

Assemble the final Horizontal Support (D) by aligning the mounting holes with the holes on the Upper Vertical Track (C). Use 4 Small Hex Bolts (K), 8 Small Washers (O), and 4 Hex Nuts (N).



7

Add Attachment Arms (E) as desired by aligning the through hole on the base with the through hole on the Vertical Tracks (B or C) and insert Gated Pin (H). Secure by closing

