

Kayak Rack Assembly Guide



2-Place Wall Mount



2-Place Side-by-Side



2-Place One-Sided



4-Place



6-Place



8-Place



Getting Started

Thank you for purchasing one of our handcrafted American-Made Log Kayak Racks. The following pages will help in the assembly of your Kayak Rack.

There are two tools that will be necessary to complete the assembly process. The first is a rubber mallet (or a hammer with a scrap block of wood). This will be used to tap joints together. The second is a 1/4" bit driver (cordless drill). We have supplied a T-25 star bit for the Torx exterior screws, and a T-30 star bit for the GRK Structural screws.

Adhesive tips: When applying construction adhesive, it is recommended to use a dowel or another disposable applicator to spread the glue. When applying glue to holes, place a 3/8" bead of glue around the inside of the hole and spread evenly to ensure solid joints. When gluing a flat surface, a bead of glue will work best. Be careful not to use too much glue, as it can seep over the sides of the product.

Lay out and identify all pieces to make sure you have all of the necessary components to complete your Kayak Rack. Page 2 and 3 show the appropriate quantities of hardware and components required for the complete installation of your particular Kayak Rack. Read and understand all directions thoroughly before starting assembly.



Hardware Schedule

2 - Place Wall Mount

Qty 8 - 4" GRK Screws for Mounting on Your Wall

2 - Place One-Sided

Qty 14 - 4" GRK Screws
Qty 4 - 3" GRK Screws for Feet
Qty 20 - Torx Deck Screws

6 - Place

Qty 24 - 4" GRK Screws
Qty 4 - 3" GRK Screws for Feet
Qty 36 - Torx Deck Screws

2 - Place Side-by-Side

Qty 16 - 4" GRK Screws
Qty 4 - 3" GRK Screws for Feet
Qty 20 - Torx Deck Screws

4 - Place

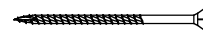
Qty 20 - 4" GRK Screws
Qty 4 - 3" GRK Screws for Feet
Qty 28 - Torx Deck Screws

8 - Place

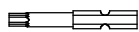
Qty 28 - 4" GRK Screws
Qty 4 - 3" GRK Screws for Feet
Qty 44 - Torx Deck Screws



5/16" x 4" GRK structural screws
5/16" x 3" GRK structural screws



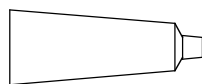
#9 - 3" Torx Deck screws



T-30 Star Bit



T-25 Star Bit



4 oz. tube, construction adhesive



Component Schedule

2 - Place Wall Mount

- Qty 2 - Wall Mount Post
- Qty 4 - Upper Arm

2 - Place One-Sided

- Qty 2 - Post
- Qty 2 - Upper Arm
- Qty 2 - Lower Arm
- Qty 2 - Feet
- Qty 2 - Cross Rail - 48"
- Qty 2 - Lower Arm Support Post

6 - Place

- Qty 2 - Post
- Qty 8 - Upper Arm
- Qty 4 - Lower Arm
- Qty 2 - Feet
- Qty 2 - Cross Rail - 72"
- Qty 4 - Lower Arm support Post

2 - Place Side-by-Side

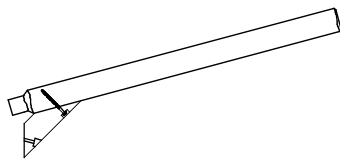
- Qty 2 - Post
- Qty 4 - Lower Arm
- Qty 2 - Feet
- Qty 2 - Cross Rail - 48"
- Qty 4 - Lower Arm Support Post

4 - Place

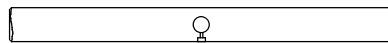
- Qty 2 - Post
- Qty 4 - Upper Arm
- Qty 4 - Lower Arm
- Qty 2 - Feet
- Qty 2 - Cross Rail - 48"
- Qty 4 - Lower Arm Support Post

8 - Place

- Qty 2 - Post
- Qty 12 - Upper Arm
- Qty 4 - Lower Arm
- Qty 2 - Feet
- Qty 2 - Cross Rail - 72"
- Qty 4 - Lower Arm Support Post



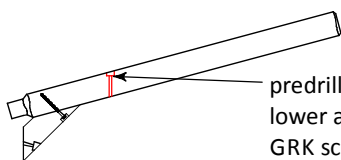
Upper Arm



Feet



Lower-arm Support Post

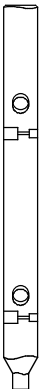


predrilled hole for lower arm support GRK screw.

Lower Arm



Cross Rail



Post

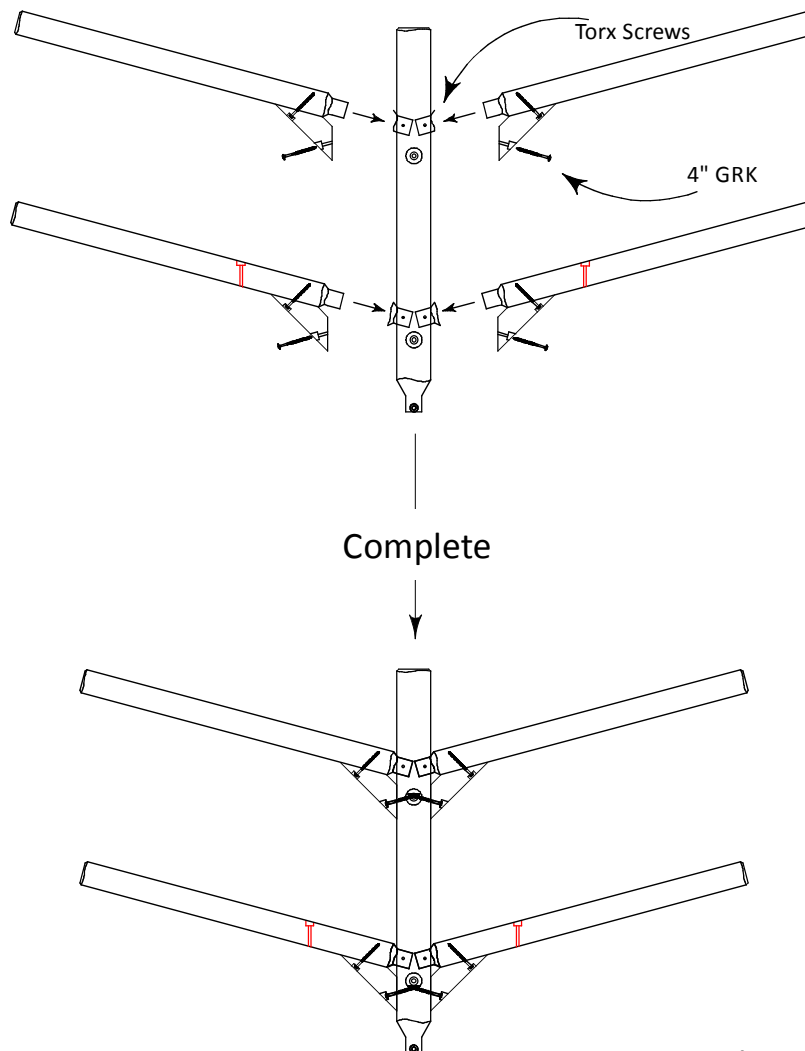


Kayak Rack Assembly Guide

Step #1:

- Find the Posts, Lower Arms, and Upper Arms for your Kayak Rack.
- Apply a 3/8" bead of glue around the inside of the lower angled hole on the post.
- Set a Lower Arm in the angled hole.
- Tap the Arm using the mallet so the connection is secure.
- Fasten the Lower Arm to the Post using a 4" GRK screw.
- Install the Torx deck screws in both sides of the Arm using the pre-drilled holes.

Complete the 6 above processes for the remaining Lower and Upper Arms, starting with the Lower Arms, on both Posts.

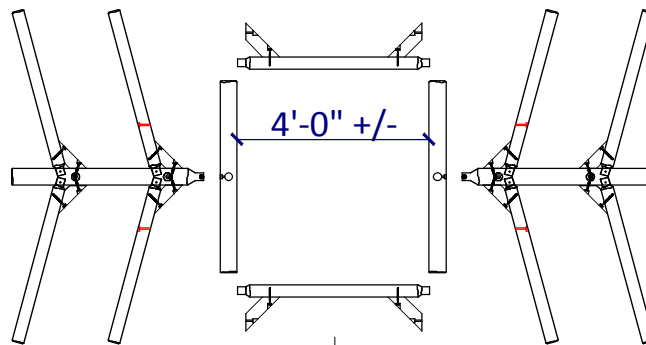


Kayak Rack Assembly Guide

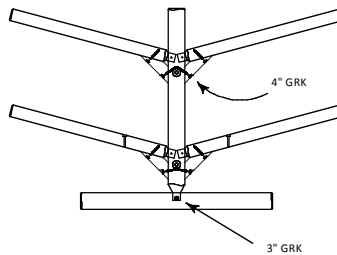
Step #2:

- Find the Cross Rails and Feet for your Rack.
- Lay the Feet, Cross Rails, and Post assemblies on the ground as shown.
- Apply a 3/8" bead of glue around the inside of the Foot hole.
- Insert the Post (tenon side) into the Foot, tapping with the mallet for a secure joinery.
- Install a 3" GRK into the predrilled hole joining the Foot and Post.
- Apply a 3/8" bead of glue around the inside of the post holes to join the Cross Rails.
- Set the Cross Rails into the post (Post laying on the ground)
- Install 4" GRK screws in the predrilled holes.

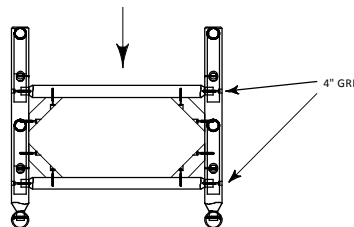
Note: No Torx screws are used in this step.



Complete



Complete

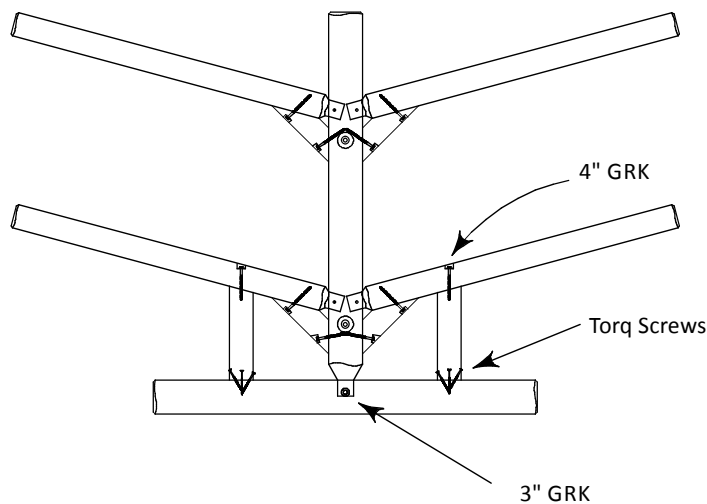


4-Place Rack Show as an example



Step #3:

- a. Find the Lower Arm Support Posts.
- b. Align a Lower Arm Support Post with the hole through the Lower Arm.
- c. Align the Post and Base to be perpendicular to each other.
- d. Install a 4" GRK through the Lower Arm into the Support Post.
- e. Check the Support post to confirm it is aligned and vertical with the post.
- f. Install 3 Torx screws through the Support Post into the Foot.
- g. Complete the steps b-f for the remaining 3 Support Posts.



4-Place Rack Show as an example

Congratulations! You can begin to use your new Log Kayak Rack!

For more instruction, please visit our online tutorial at www.logkayackrack.com and watch the assembly process of a 2-place one-sided rack.



Maintenance:

If you purchased the finish option with your Log Rack, it means that your rack is prefinished in Sikken's Cetol SRD. We recommend that you apply your first maintenance coat when it is visually required. Please follow Sikken's instruction on the application of the maintenance coat, and do not apply more than one maintenance coat per year.

Longevity:

We want you to enjoy your Log Kayak Rack for years to come. To insure it's Longevity, we recommend that the feet are not in direct contact with the ground, but rather raised and set on landscaping block or a similar product.

