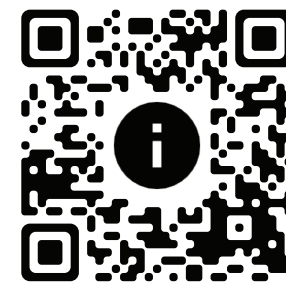


INSTALLATION GUIDE

MULTI PURPOSE WALL HOOKS



SCAN THIS QR CODE FOR
THE FULL INSTALL VIDEO.

IMPORTANT INFORMATION

Multi Purpose Wall Hooks

Manufactured for Spire LLC in Vietnam

Quantity: 1

WARNING! The Multi Purpose Wall Hooks is NOT intended for use by any person under the age of 18 years old. You must be over the age of 18 to install or use the Multi Purpose Wall Hooks.

WARNING! Strictly follow all instructions to avoid an accident, damage to property, personal injury or death.

WARNING! Do not use this product for human suspension. Components can fail causing person to fall, possibly resulting in serious injury or death.

WARNING! When operating system, make sure the area below object is clear of persons. If object comes down too quickly, this can cause an accident.

READ THE ENTIRE USER MANUAL BEFORE INSTALLATION

The User Manual you received with your Multi Purpose Wall Hooks provides instructions on how to install and use your Multi Purpose Wall Hooks. The instructions are written for a person with a basic understanding of tools and procedures. Read the entire manual before proceeding. If you do not understand any portion of the instructions, do not attempt installation, and email info@storeyourboard.com.

CORRECTLY INSTALL THE PRODUCT

Read and follow all instructions carefully.

Failure to properly install and use the Multi Purpose Wall Hooks could allow the product to detach from the wall, injuring persons or personal property in the process. Accordingly, it is critical that the Multi Purpose Wall Hooks be installed correctly and according to the instructions in the User Manual.

USE TOOLS SAFELY

The procedures in the User Manual may require climbing ladders and/or operating power tools. Make sure you are familiar with these tools and their safety procedures before attempting to use such tools during installation. Always be aware of electrical wires during installation. Failure to do so could result in an electrical shock or death.

WARNING!

Contact with wires can give you a severe electrical shock, which may cause injury or death. If you do not know where wires are, have the work done by an experienced professional.

IMPORTANT INFORMATION

CAUTION

It is the consumer's responsibility to install this system in accordance with all codes, ordinances, and local regulations.

When installing Multi Purpose Wall Hooks, it is the consumer's responsibility to ensure the structural integrity of the structure it is being mounted to.

This system has a maximum capacity of 30 lbs. Overloading the system could result in damage to property or injury.

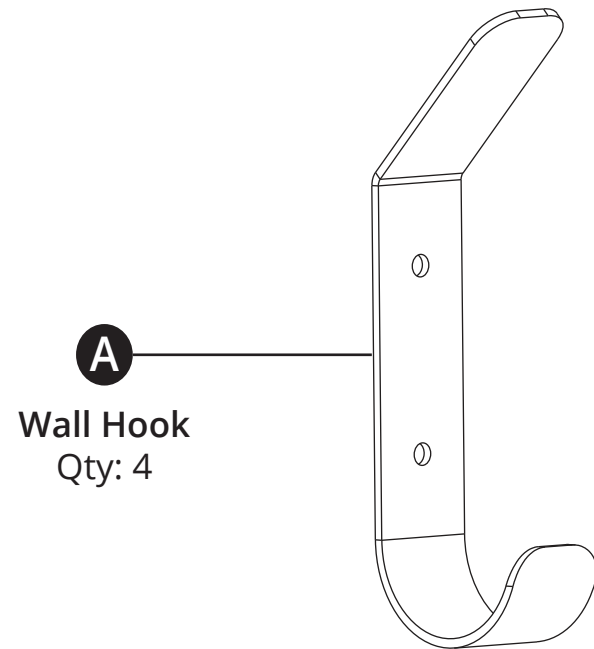
Use extreme caution when loading and unloading equipment from this system.

It is the consumer's responsibility to ensure that the system is in proper working condition before loading objects onto the system. Check tightness of all bolts and screws periodically. Failure to properly maintain the system could result in damage to property or injury.

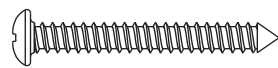
WARNING AND DISCLAIMER

Spire LLC (d/b/a StoreYourBoard) expressly disclaims any and all liability for personal injury, property damage or loss, whether direct, indirect, incidental, resulting from the incorrect mounting, improper use, inadequate maintenance, or neglect of this system.

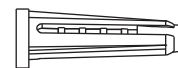
INSTALLATION



A
Wall Hook
Qty: 4



B
M4 x 40mm Screws
Qty:8



C
Drywall Anchor (Optional)
Qty:8

RECOMMENDED TOOLS:

Drill/Driver
Drill bits
Level
Tape measure
Pencil
Stud finder

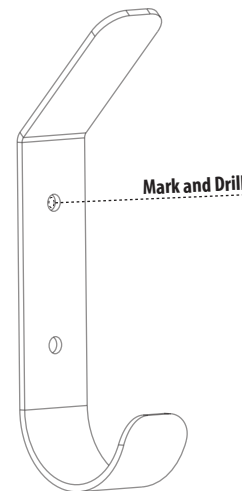
WEIGHT LIMITS:

30 lbs. max per hook (in studs)
15 lbs. max per hook (drywall anchors)

1 Use a tape measure to get the height you would like to install the hooks at. Use a stud finder to find 4 adjacent studs and make a mark in the center of them with a pencil at the preferred height. Alternatively, if not mounting to studs, use the included Drywall Anchors (C) which will allow for greater spacing flexibility but will reduce the max weight the hook can hold.

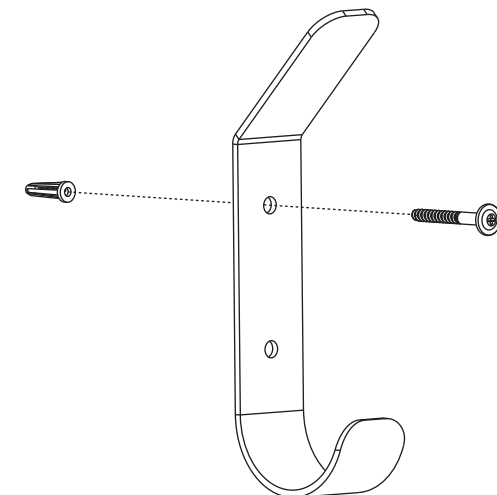
2 Mark the Top Hole and Pre-Drill

Hold the Hook (A) up to the wall and mark the top hole with a pencil. Remove the hook and pre-drill the hole using a 1/8" drill bit.



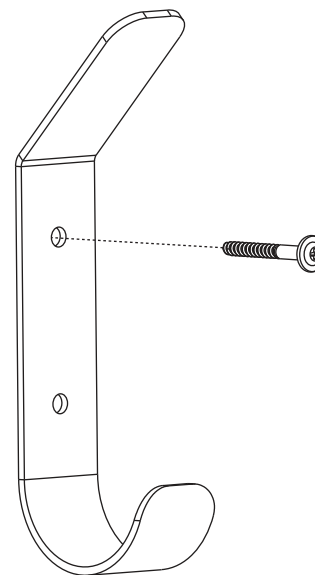
3a Add Drywall Anchor and Secure with Screw (Mounting Into Drywall)

If you are not mounting to a stud, press the Drywall Anchor into the pre-drilled hole. You may need to lightly tap it into place using a hammer. Screw the Wall Hook (A) into place using the M4 Screw (B).



3b Secure Wall Hook with Screw (Mounting Into Stud)

Secure the wall hook with an M4 Screw (B).



4 Level the Hook, Pre-drill Bottom Hole and Secure

Use a level to ensure the Wall Hook (A) is straight. Mark the bottom hole with a pencil and pre-drill using an 1/8" drill bit. Swing the Wall Hook out of the way and install a Drywall Anchor (C) if applicable. Secure with M4 Screw (B).

