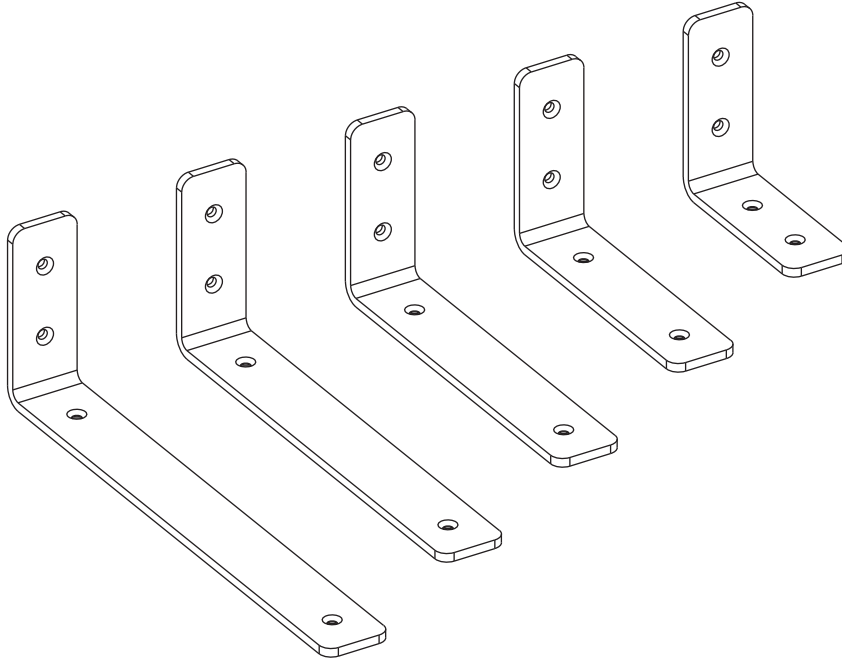




STOREYOUR



INSTALLATION GUIDE

SHELF BRACKETS



SCAN THIS QR CODE FOR
THE FULL INSTALL VIDEO.

Questions or Concerns?

Contact us at:  info@storeyour.com

IMPORTANT INFORMATION

Shelf Brackets

Manufactured for Spire LLC in Vietnam

Quantity: 1

WARNING! The product is NOT intended for use by any person under the age of 18 years old. You must be over the age of 18 to install or use the product.

WARNING! Strictly follow all instructions to avoid an accident, damage to property, personal injury or death.

READ THE ENTIRE USER MANUAL BEFORE INSTALLATION

The User Manual you received with your product provides instructions on how to install and use your product. The instructions are written for a person with a basic understanding of tools and procedures. Read the entire manual before proceeding. If you do not understand any portion of the instructions, do not attempt installation, and email us with the information on the cover.

CORRECTLY INSTALL THE PRODUCT

Read and follow all instructions carefully.

Failure to properly install and use the product could allow the product to dismantle or fall, injuring persons or personal property in the process. Accordingly, it is critical that the product be assembled and installed correctly and according to the instructions in the User Manual.

USE TOOLS SAFELY

The procedures in the User Manual may require climbing ladders and/or operating power tools. Make sure you are familiar with these tools and their safety procedures before attempting to use such tools during installation. Always be aware of electrical wires during installation. Failure to do so could result in an electrical shock or death.

CAUTION

It is the consumer's responsibility to install this system in accordance with all codes, ordinances, and local regulations.

When installing the product, it is the consumer's responsibility to ensure the structural integrity of the structure it is being mounted to.

The product is intended for the storage of sporting equipment only. Do not use it for any other purpose.

This system has a maximum capacity stated in the following section. Overloading the system could result in damage to property or injury.

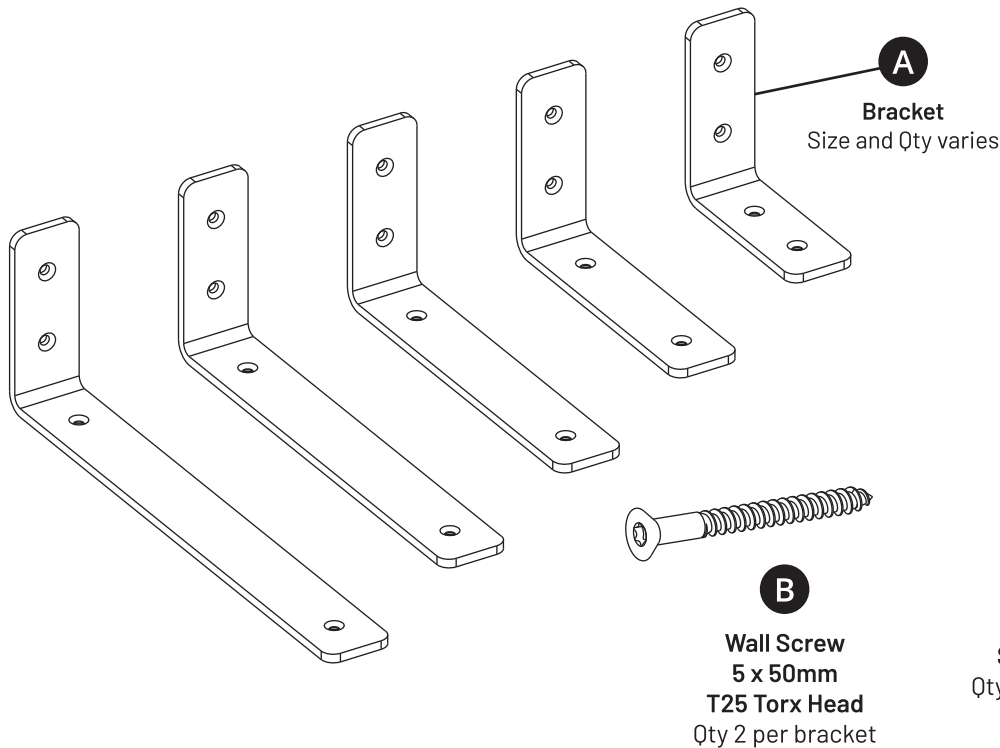
Use extreme caution when loading and unloading equipment from this system.

It is the consumer's responsibility to ensure that the system is in proper working condition before loading objects onto the system. Check tightness of all bolts and screws periodically. Failure to properly maintain the system could result in damage to property or injury.

WARNING AND DISCLAIMER

Spire LLC (d/b/a StoreYour) expressly disclaims any and all liability for personal injury, property damage or loss, whether direct, indirect, incidental, resulting from the incorrect mounting, improper use, inadequate maintenance, or neglect of this system.

SHELF BRACKET PARTS



REQUIRED TOOLS:

Drill and Driver
3/32" (2.5mm) Drill Bit
1/16" (1.5mm) Drill Bit
Stud Finder
Level

WEIGHT LIMITS:

50 pounds per bracket

INSTALLATION STEPS

1 Plan, Measure, and Locate Studs

Measure the wall space and determine where the shelves will be installed. Brackets must be mounted into wood wall studs or masonry walls. Anchors for masonry walls are not included.

Use a stud finder to locate the studs and mark the center of each stud with a pencil at all bracket locations.

2 Position and Install the First Bracket

Decide whether the bracket will be mounted with the wall side above or below the shelf. Hold the first bracket against the wall, aligning it with the center of the stud at the desired height. Use a level to ensure the bracket is level, then mark the hole locations.

Remove the bracket, drill pilot holes using a 1/8" drill bit, and secure the bracket to the wall using two Wall Screws (B).

3 Install the Last Bracket Using the Shelf as a Guide

Place one end of the shelf on the installed bracket. Hold the last bracket against the wall at the opposite end of the shelf, aligning it with the center of the wall stud.

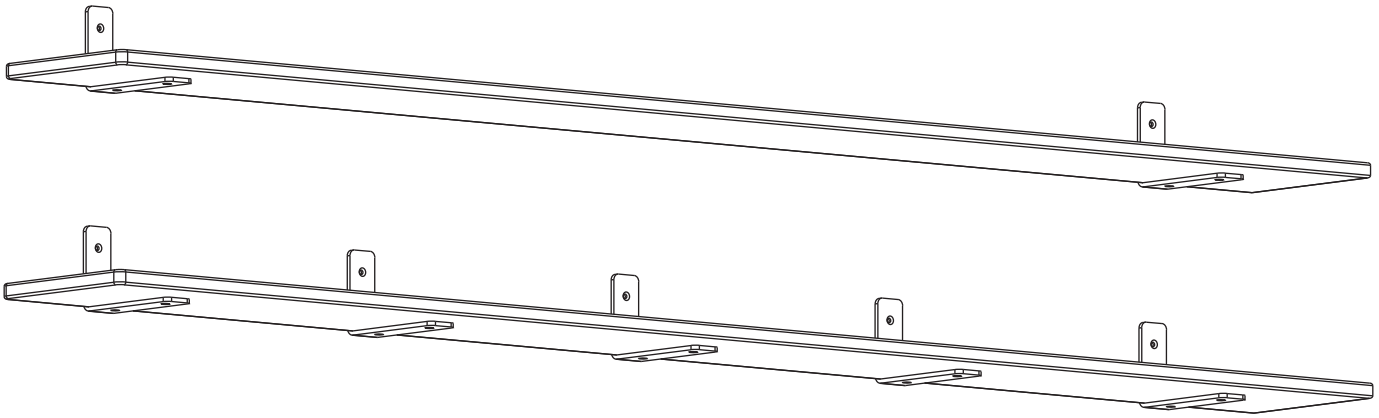
Place a level on the shelf and adjust the bracket until the shelf is level and the bracket is centered on the stud. Mark the hole locations, then remove the shelf and bracket.

Drill pilot holes with a 1/8" drill bit and attach the bracket using two Wall Screws.

4**Install Remaining Brackets**

Place the shelf onto the first and last brackets. Position the remaining brackets so they contact the bottom of the shelf and align with the center of the wall studs.

Mark the hole locations, remove the shelf, drill pilot holes, and secure each bracket with Wall Screws.

**5****Attach the Shelf to the Brackets**

Center the shelf over the brackets and mark the shelf hole locations on the first and last brackets. Remove the shelf and drill pilot holes using a 1/16" (1.5 mm) drill bit, being careful not to drill through the shelf.

Reinstall the shelf and attach it to the first and last brackets using two Shelf Screws per bracket.

6**Secure the Remaining Brackets**

For the remaining brackets, drill pilot holes through the bracket holes into the shelf—again, being careful not to drill through the shelf—and install the Shelf Screws.

7**Repeat for Additional Shelves**

Repeat the above steps for any additional shelves.