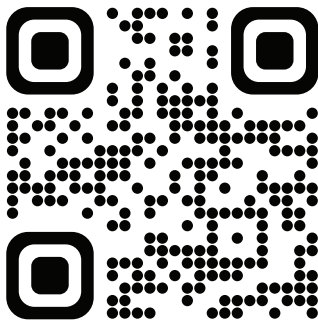


INSTALLATION GUIDE

CYCLESTAND PRO



SCAN THIS QR CODE FOR
THE FULL INSTALL VIDEO.

Questions or Concerns?

Contact us at:  info@storeyourboard.com

IMPORTANT INFORMATION

CycleStand Pro

Manufactured for Spire LLC in Vietnam

Quantity: 1

WARNING! The product is NOT intended for use by any person under the age of 18 years old. You must be over the age of 18 to install or use the product.

WARNING! Strictly follow all instructions to avoid an accident, damage to property, personal injury or death.

READ THE ENTIRE USER MANUAL BEFORE INSTALLATION

The User Manual you received with your product provides instructions on how to install and use your product. The instructions are written for a person with a basic understanding of tools and procedures. Read the entire manual before proceeding. If you do not understand any portion of the instructions, do not attempt installation, and email us with the information on the cover.

CORRECTLY INSTALL THE PRODUCT

Read and follow all instructions carefully.

Failure to properly install and use the product could allow the product to dismantle or fall, injuring persons or personal property in the process. Accordingly, it is critical that the product be assembled and installed correctly and according to the instructions in the User Manual.

USE TOOLS SAFELY

The procedures in the User Manual may require climbing ladders and/or operating power tools. Make sure you are familiar with these tools and their safety procedures before attempting to use such tools during installation. Always be aware of electrical wires during installation. Failure to do so could result in an electrical shock or death.

CAUTION

It is the consumer's responsibility to install this system in accordance with all codes, ordinances, and local regulations.

When installing the product, it is the consumer's responsibility to ensure the structural integrity of the structure it is being mounted to.

The product is intended for the storage of sporting equipment only. Do not use it for any other purpose.

This system has a maximum capacity stated in the following section. Overloading the system could result in damage to property or injury.

Use extreme caution when loading and unloading equipment from this system.

It is the consumer's responsibility to ensure that the system is in proper working condition before loading objects onto the system. Check tightness of all bolts and screws periodically. Failure to properly maintain the system could result in damage to property or injury.

WARNING AND DISCLAIMER

Spire LLC (d/b/a StoreYourBoard) expressly disclaims any and all liability for personal injury, property damage or loss, whether direct, indirect, incidental, resulting from the incorrect mounting, improper use, inadequate maintenance, or neglect of this system.

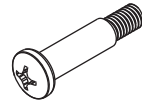
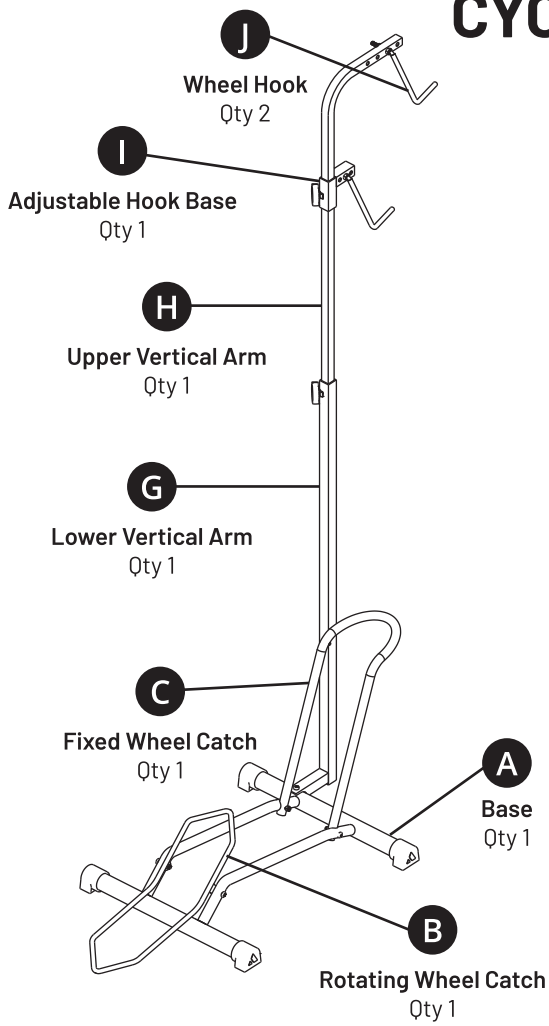
CYCLESTAND PRO PARTS

REQUIRED TOOLS:

Wrench (8mm or adjustable)
Phillips Screw driver

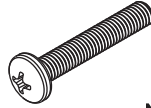
WEIGHT LIMIT:

65 lbs.



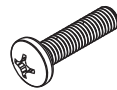
D

Shoulder Bolt
Qty 2



E

Large Screw
M5 x 30mm Screw
Qty 2



N

Medium Screw
M5 x 20mm
Qty 1



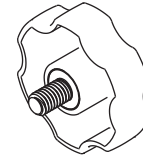
F

M5 Locknut
Qty 5



K

Small Screw
M5 x 10mm
Qty 1



L

Threaded Knob
Qty 2



M

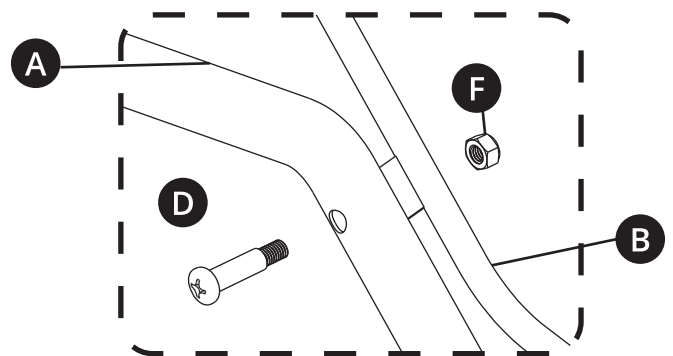
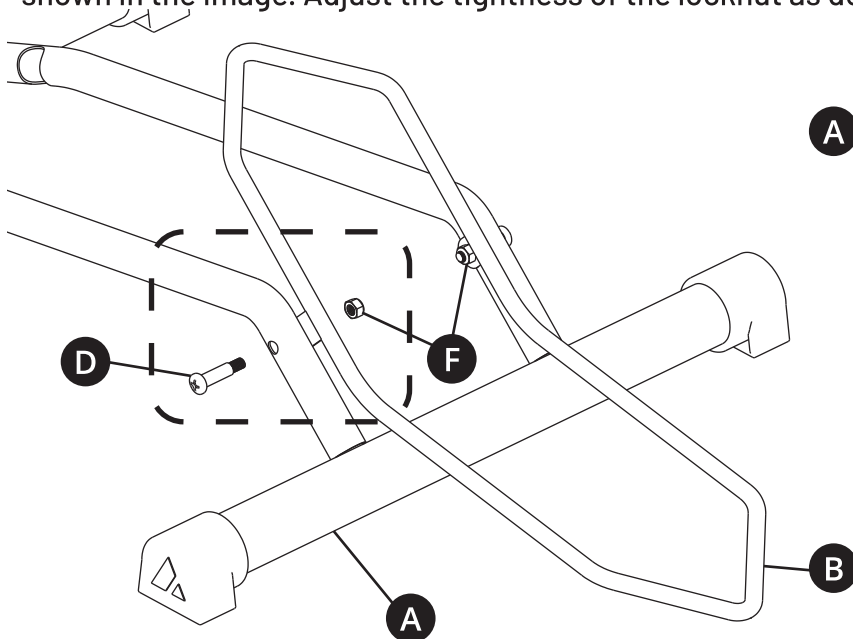
M6 Hex Nuts
Qty 4

ASSEMBLY STEPS

1

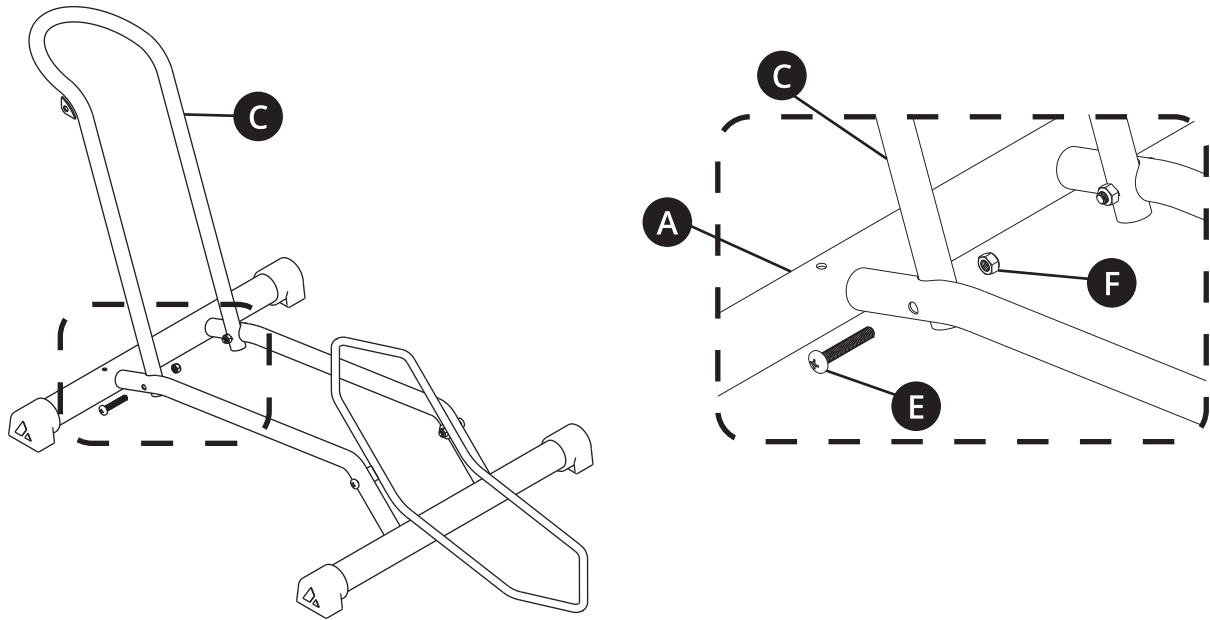
Assemble the Rotating Catch

Align the Rotating Wheel Catch (B) with the holes in the Base (A) as shown in the image. Use a Shoulder Bolt (D) and Locknut (F) to connect them. Make sure the Rotating Catch and hardware are oriented as shown in the image. Adjust the tightness of the locknut as desired for use.



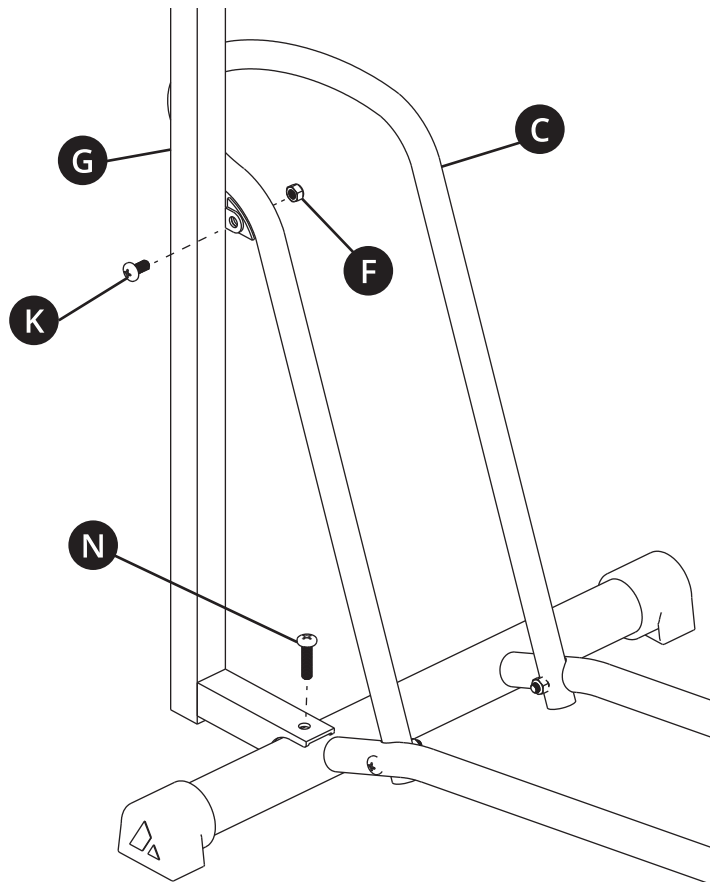
2 Assemble the Fixed Catch

Align the Fixed Wheel Catch (C) into the cutouts in the Base (A). Assemble with Large Screws (E) and Locknuts (F).



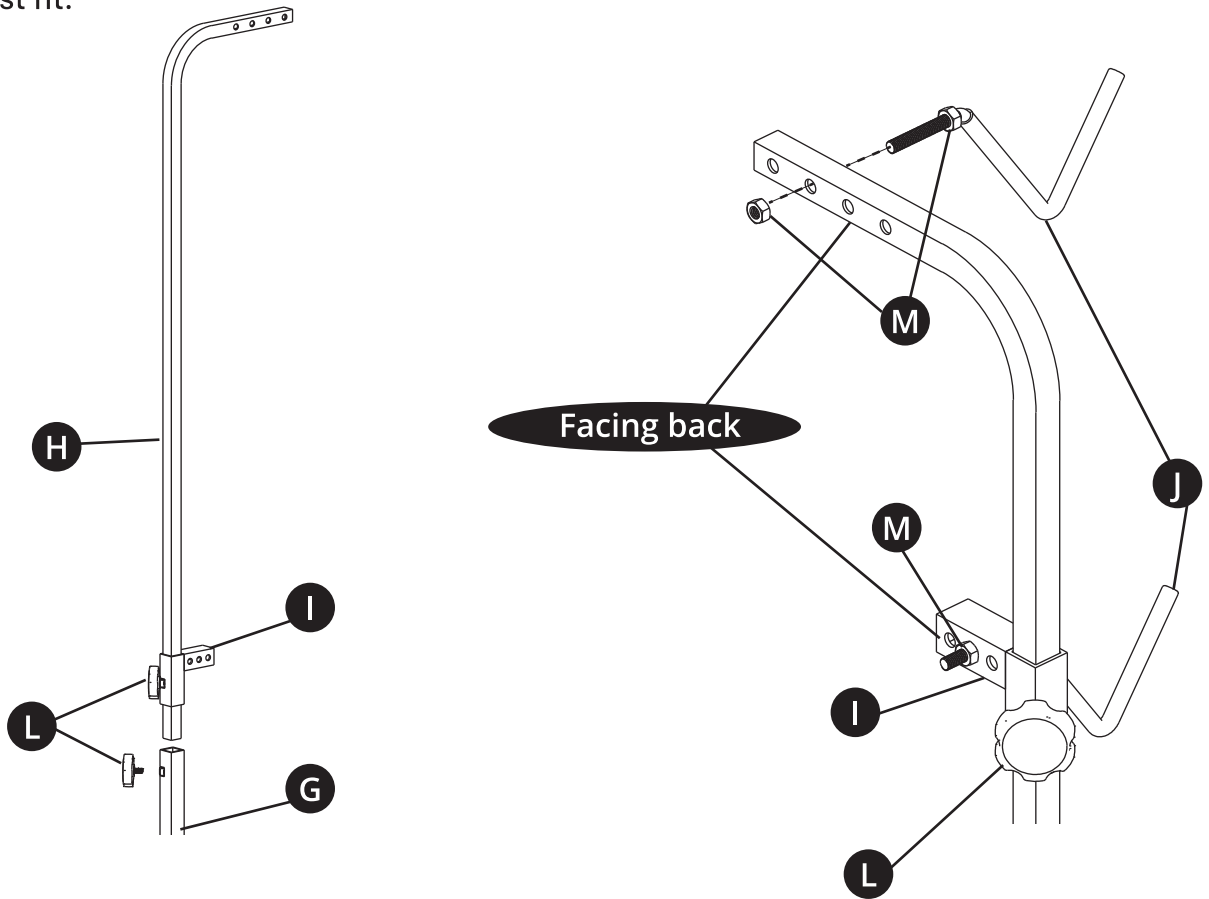
3 Assemble Lower Vertical Arm

Connect the Lower Vertical Arm (G) to the Base (A) using a Medium Screw (N). Connect the Lower Vertical Arm (G) to the Fixed Wheel Catch (C) using a Small Screw (K) and Locknut (F).



Assemble the Upper Vertical Arm Components

Pass the Adjustable Hook Base (I) up the bottom of the Upper Vertical Arm (H) and tighten with a Threaded Knob (L). Ensure the Hook Base is facing the same direction as the bend in the Upper Vertical Arm. Insert the Upper Vertical Arm (H) in the top of the Lower Vertical Arm (G) with the bend facing the rear of the base and tighten with a Threaded Knob (L). Connect the Wheel Hooks (J) to the Upper Vertical Arm and Adjustable Hook Base with M6 Hex Nuts (M) on each side of the base and arm. Adjust the components to match your bike and wheel size. Refer to our video from the QR code on the cover for tips on the best fit.



ASSEMBLY DETAIL

