

INSTALLATION GUIDE

ACRYLIC SKI RACK



SCAN THIS QR CODE FOR
THE FULL INSTALL VIDEO.

IMPORTANT INFORMATION

Acrylic Ski Rack

Manufactured for Spire LLC in Vietnam

Quantity: 1

WARNING! The product is NOT intended for use by any person under the age of 18 years old. You must be over the age of 18 to install or use the product.

WARNING! Strictly follow all instructions to avoid an accident, damage to property, personal injury or death.

READ THE ENTIRE USER MANUAL BEFORE INSTALLATION

The User Manual you received with your product provides instructions on how to install and use your product. The instructions are written for a person with a basic understanding of tools and procedures. Read the entire manual before proceeding. If you do not understand any portion of the instructions, do not attempt installation, and email us with the information on the cover.

CORRECTLY INSTALL THE PRODUCT

Read and follow all instructions carefully.

Failure to properly install and use the product could allow the product to dismantle or fall, injuring persons or personal property in the process. Accordingly, it is critical that the product be assembled and installed correctly and according to the instructions in the User Manual.

USE TOOLS SAFELY

The procedures in the User Manual may require climbing ladders and/or operating power tools. Make sure you are familiar with these tools and their safety procedures before attempting to use such tools during installation. Always be aware of electrical wires during installation. Failure to do so could result in an electrical shock or death.

CAUTION

It is the consumer's responsibility to install this system in accordance with all codes, ordinances, and local regulations.

When installing the product, it is the consumer's responsibility to ensure the structural integrity of the structure it is being mounted to.

The product is intended for the storage of sporting equipment only. Do not use it for any other purpose.

This system has a maximum capacity stated in the following section. Overloading the system could result in damage to property or injury.

Use extreme caution when loading and unloading equipment from this system.

It is the consumer's responsibility to ensure that the system is in proper working condition before loading objects onto the system. Check tightness of all bolts and screws periodically. Failure to properly maintain the system could result in damage to property or injury.

WARNING AND DISCLAIMER

Spire LLC (d/b/a StoreYourBoard) expressly disclaims any and all liability for personal injury, property damage or loss, whether direct, indirect, incidental, resulting from the incorrect mounting, improper use, inadequate maintenance, or neglect of this system.

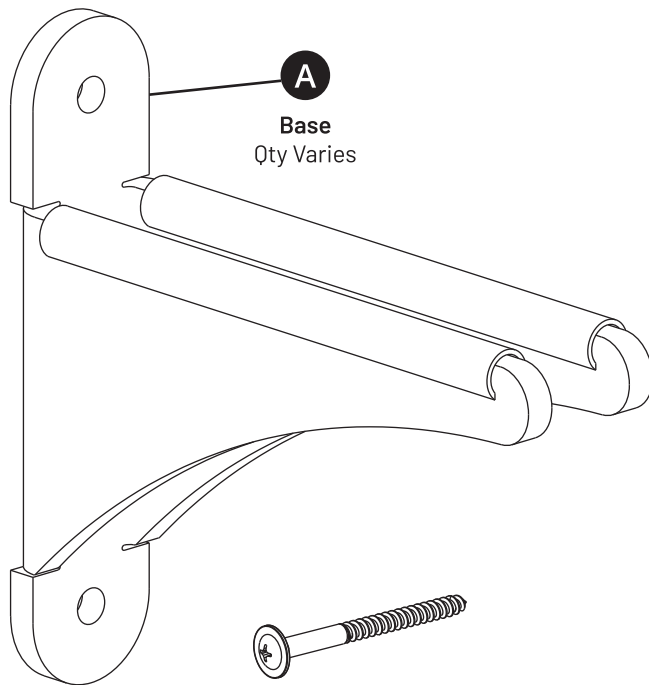
ACRYLIC SKI RACK PARTS

WEIGHT LIMITS:

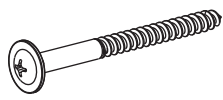
25 lbs. when properly installed

REQUIRED TOOLS:

Drill/Driver
Stud Finder
1/16" (1.5mm) Drill Bit
3/16" (5mm) Drill Bit
Phillips Head Screw Driver
Level



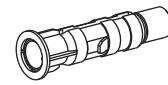
A
Base
Qty Varies



B
Phillips Head Screw
0.16" x 1.5"
Qty 2 per base



C
Metal and Rubber
Washer
Qty 2 per base



D
Drywall Anchor
Qty 2 per base

INSTALLATION STEPS

1 Measure the Space

Determine the length of your skis and the area where you plan to mount them on the wall. Ensure there is sufficient space for the skis above the floor.

2 Locate the Studs

Use a stud finder to identify nearby wall studs. You don't have to mount it to a stud, but you have to know where the studs are so you know whether or not to use the drywall anchors.

3 Mark the Base Position

Position the Base (A) against the wall at the desired mounting location. Mark the two mounting holes.

4a Stud Mounting

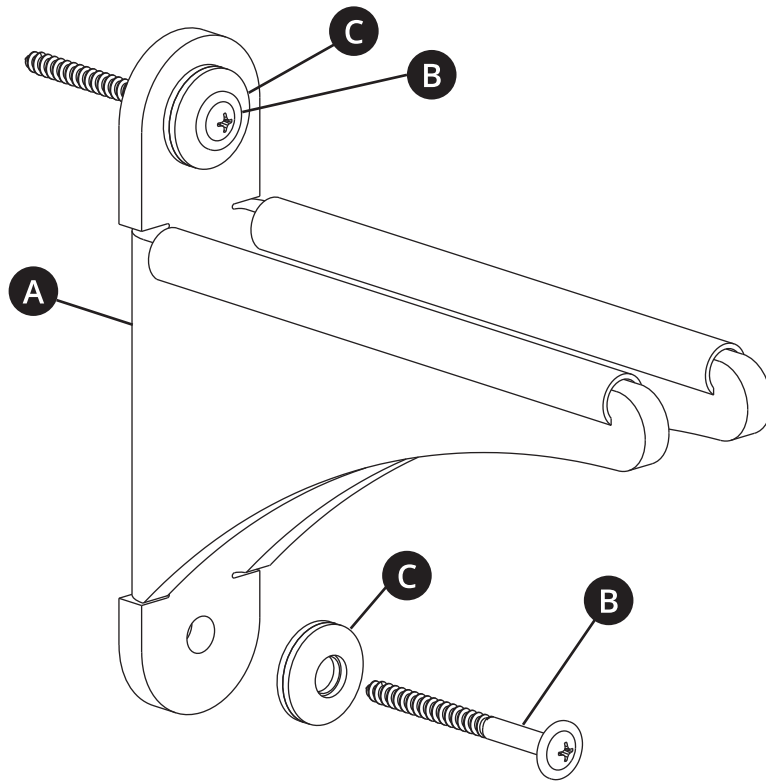
Drill the marked holes with a 1/16" (1.5mm) drill bit.

4b Drywall Mounting

Drill the marked holes with a 3/16" (5mm) drill bit and insert the Drywall Anchors (D) into the holes.

5**Attach the Base**

Secure the Base (A) to the wall using the Metal and Rubber Washers (C) and the Phillips Head Screws (B). Ensure the rubber side of the washer faces the wall and the metal side faces outward.

**6****Install Skis**

Place the skis into the slot and lower them onto the rack so the curved the tips are holding them in place.

