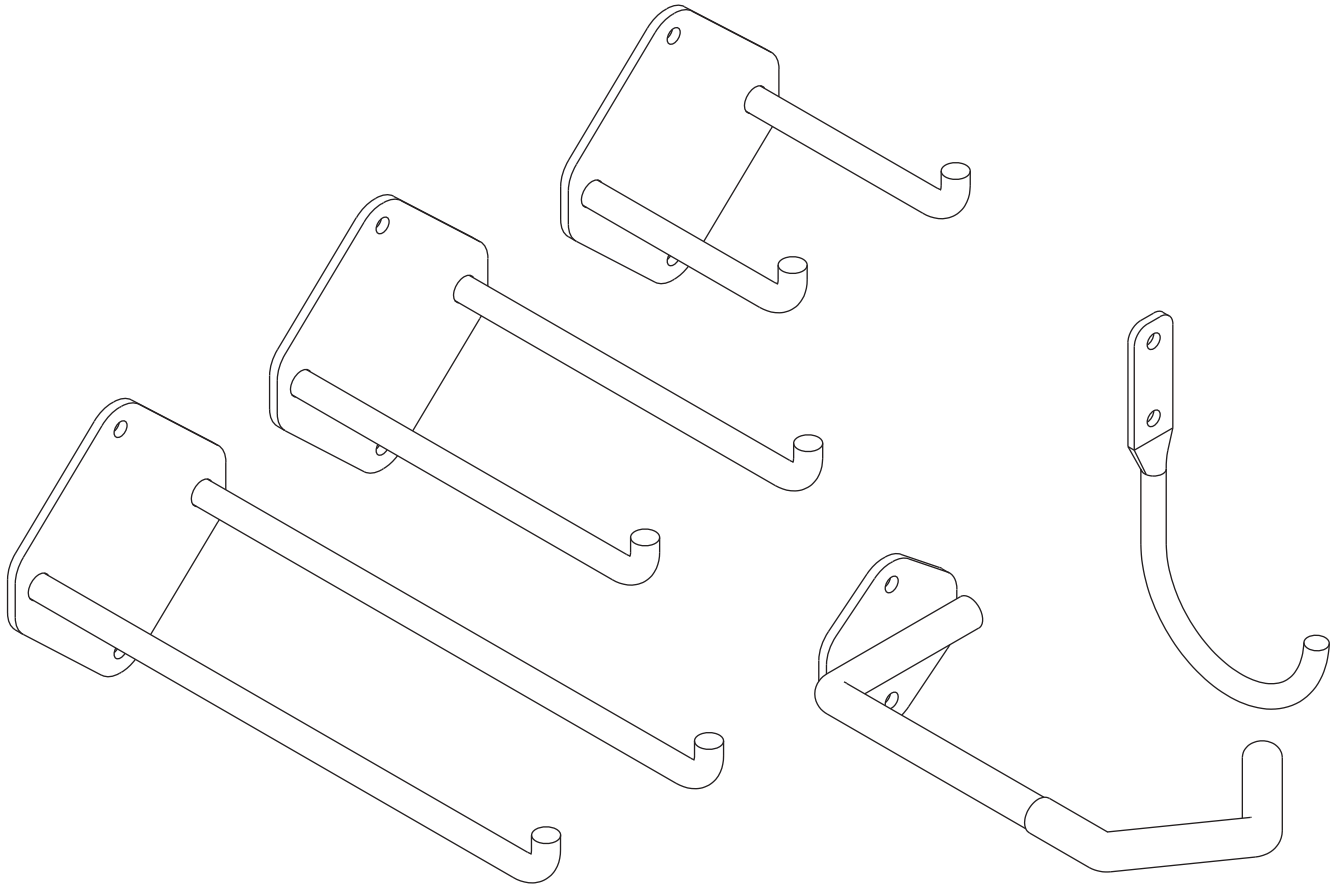




# STOREYOUR



## INSTALLATION GUIDE

### WALL HOOKS



SCAN THIS QR CODE FOR  
THE FULL INSTALL VIDEO.

Questions or Concerns?

Contact us at:  [info@storeyour.com](mailto:info@storeyour.com)

# IMPORTANT INFORMATION

---

Wall Hooks

Manufactured for Spire LLC in China

Quantity: 1

**WARNING! The product is NOT intended for use by any person under the age of 18 years old. You must be over the age of 18 to install or use the product.**

**WARNING! Strictly follow all instructions to avoid an accident, damage to property, personal injury or death.**

## **READ THE ENTIRE USER MANUAL BEFORE INSTALLATION**

The User Manual you received with your product provides instructions on how to install and use your product. The instructions are written for a person with a basic understanding of tools and procedures. Read the entire manual before proceeding. If you do not understand any portion of the instructions, do not attempt installation, and email us with the information on the cover.

## **CORRECTLY INSTALL THE PRODUCT**

Read and follow all instructions carefully.

Failure to properly install and use the product could allow the product to dismantle or fall, injuring persons or personal property in the process. Accordingly, it is critical that the product be assembled and installed correctly and according to the instructions in the User Manual.

## **USE TOOLS SAFELY**

The procedures in the User Manual may require climbing ladders and/or operating power tools. Make sure you are familiar with these tools and their safety procedures before attempting to use such tools during installation. Always be aware of electrical wires during installation. Failure to do so could result in an electrical shock or death.

## **CAUTION**

It is the consumer's responsibility to install this system in accordance with all codes, ordinances, and local regulations.

When installing the product, it is the consumer's responsibility to ensure the structural integrity of the structure it is being mounted to.

The product is intended for the storage of sporting equipment only. Do not use it for any other purpose.

This system has a maximum capacity stated in the following section. Overloading the system could result in damage to property or injury.

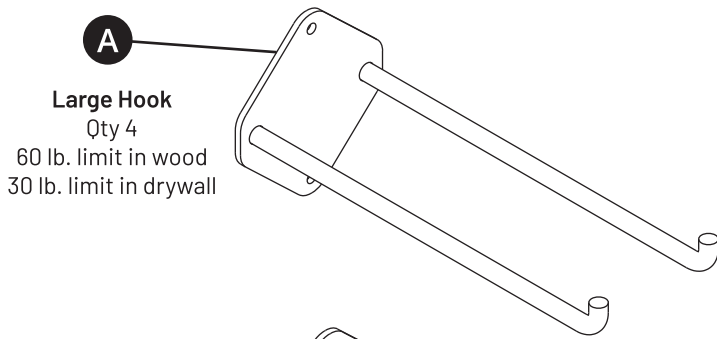
Use extreme caution when loading and unloading equipment from this system.

It is the consumer's responsibility to ensure that the system is in proper working condition before loading objects onto the system. Check tightness of all bolts and screws periodically. Failure to properly maintain the system could result in damage to property or injury.

## **WARNING AND DISCLAIMER**

Spire LLC (d/b/a StoreYour) expressly disclaims any and all liability for personal injury, property damage or loss, whether direct, indirect, incidental, resulting from the incorrect mounting, improper use, inadequate maintenance, or neglect of this system.

# WALL HOOK PARTS

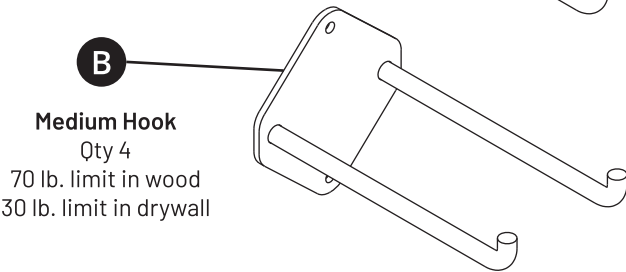


**A**

**Large Hook**

Qty 4

60 lb. limit in wood  
30 lb. limit in drywall

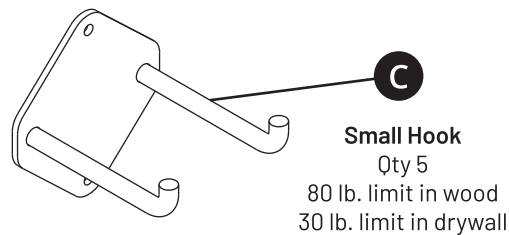


**B**

**Medium Hook**

Qty 4

70 lb. limit in wood  
30 lb. limit in drywall

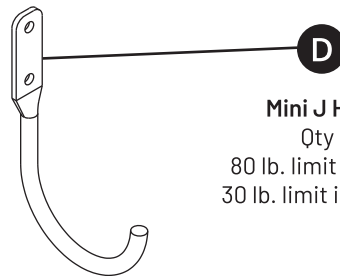


**C**

**Small Hook**

Qty 5

80 lb. limit in wood  
30 lb. limit in drywall

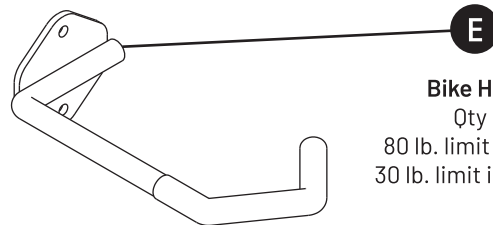


**D**

**Mini J Hook**

Qty 8

80 lb. limit in wood  
30 lb. limit in drywall



**E**

**Bike Hook**

Qty 4

80 lb. limit in wood  
30 lb. limit in drywall

## HARDWARE

### REQUIRED TOOLS:

Drill/driver

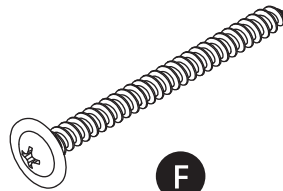
Stud Finder

3/32" (2.5mm) drill bit

5/16" (8mm) drill bit (for anchors)

Phillips Screw driver

Level

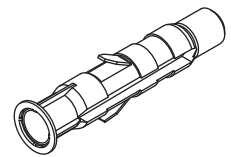


**F**

**Screw**

5mm x 50mm

Qty 50



**G**

**Drywall Anchor**

8mm x 50mm

Qty 50

## INSTALLATION STEPS

1

Use a stud finder to locate your wall studs. You don't have to mount the hooks in wall studs, but you have to know where your studs are so you can correctly mount the hooks

2

### Stud Mounting:

- Hold the hook against the wall and mark the hole locations
- Use a 3/32" drill bit to drill pilot holes
- Use 2 Screws (F) to mount the hooks to wall

### Drywall Anchor Mounting:

- Hold the hook against the wall and mark the hole locations
- Use a 5/16" drill bit to drill pilot holes
- Insert Drywall Anchors (G) into holes
- Use 2 Screws (F) to mount the hooks to the anchors.
- **DO NOT OVERTIGHTEN OR THE ANCHORS WON'T WORK**