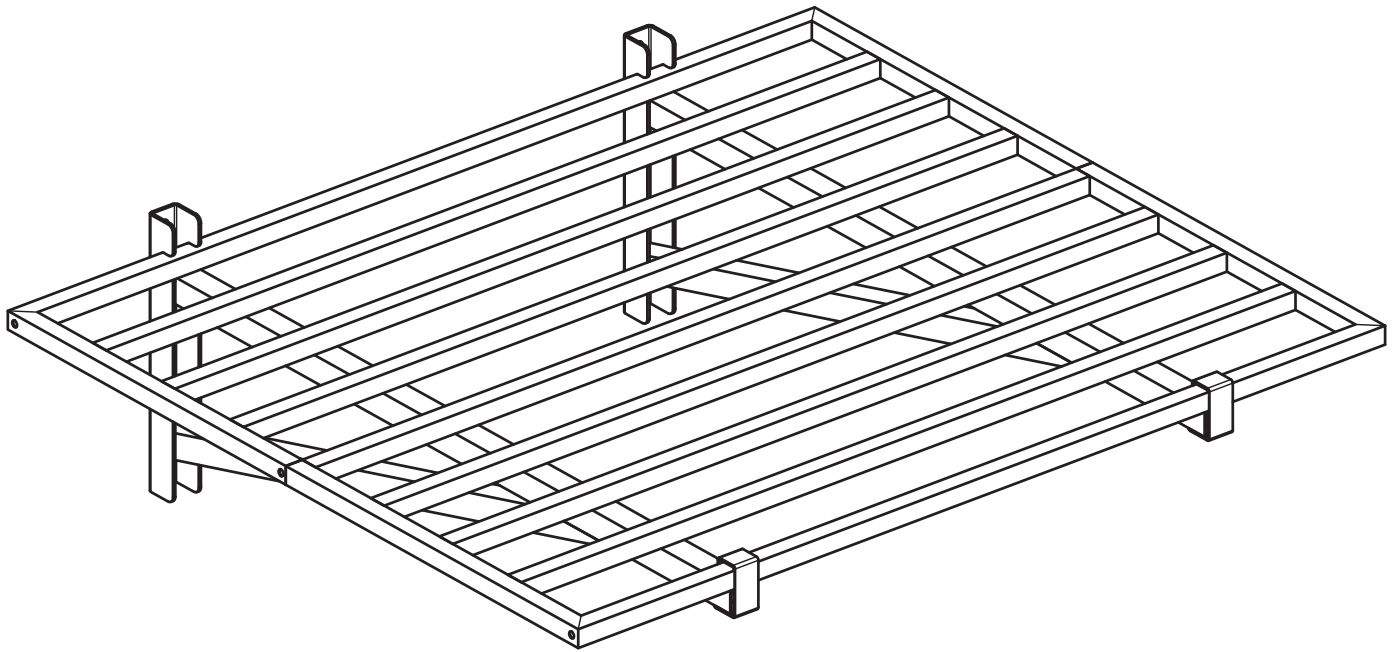


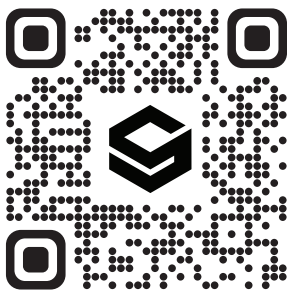


# STOREYOUR



## INSTALLATION GUIDE

### WALL SHELVES



SCAN THIS QR CODE FOR  
THE FULL INSTALL VIDEO.

---

Questions or Concerns?

Contact us at:  [info@storeyour.com](mailto:info@storeyour.com)

# IMPORTANT INFORMATION

---

Wall Shelves

Manufactured for Spire LLC in Vietnam

Quantity: 1

**WARNING! The product is NOT intended for use by any person under the age of 18 years old. You must be over the age of 18 to install or use the product.**

**WARNING! Strictly follow all instructions to avoid an accident, damage to property, personal injury or death.**

## **READ THE ENTIRE USER MANUAL BEFORE INSTALLATION**

The User Manual you received with your product provides instructions on how to install and use your product. The instructions are written for a person with a basic understanding of tools and procedures. Read the entire manual before proceeding. If you do not understand any portion of the instructions, do not attempt installation, and email us with the information on the cover.

## **CORRECTLY INSTALL THE PRODUCT**

Read and follow all instructions carefully.

Failure to properly install and use the product could allow the product to dismantle or fall, injuring persons or personal property in the process. Accordingly, it is critical that the product be assembled and installed correctly and according to the instructions in the User Manual.

## **USE TOOLS SAFELY**

The procedures in the User Manual may require climbing ladders and/or operating power tools. Make sure you are familiar with these tools and their safety procedures before attempting to use such tools during installation. Always be aware of electrical wires during installation. Failure to do so could result in an electrical shock or death.

## **CAUTION**

It is the consumer's responsibility to install this system in accordance with all codes, ordinances, and local regulations.

When installing the product, it is the consumer's responsibility to ensure the structural integrity of the structure it is being mounted to.

The product is intended for the storage of sporting equipment only. Do not use it for any other purpose.

This system has a maximum capacity stated in the following section. Overloading the system could result in damage to property or injury.

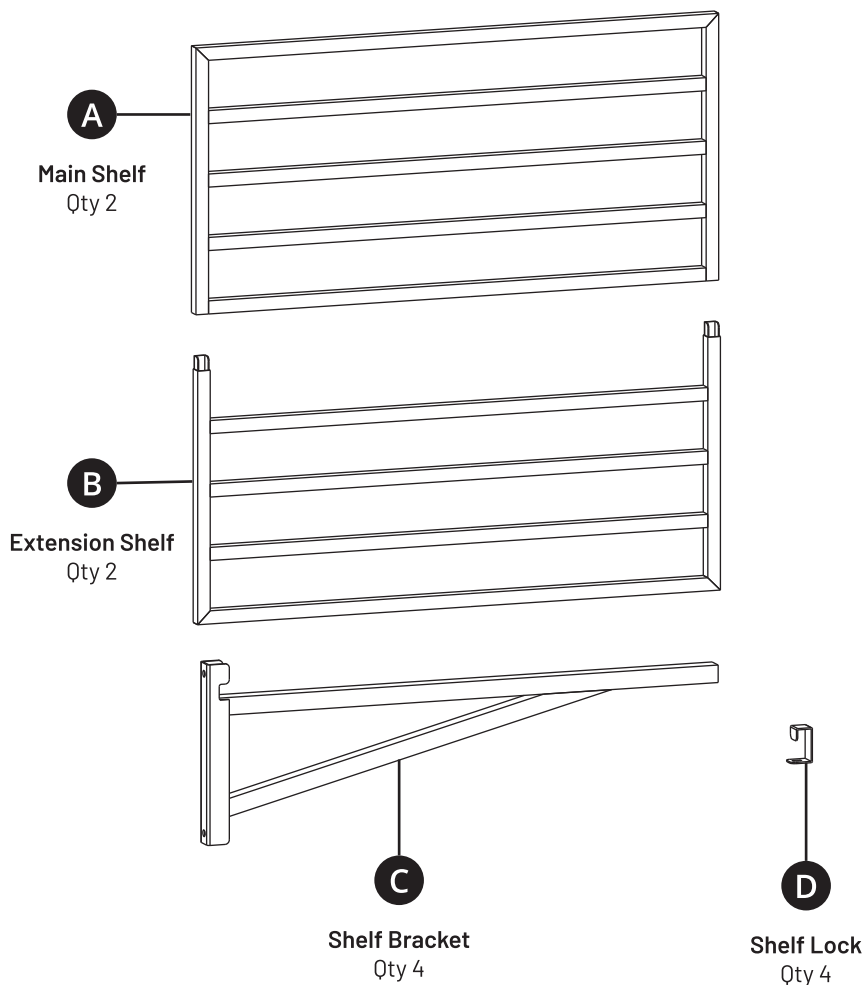
Use extreme caution when loading and unloading equipment from this system.

It is the consumer's responsibility to ensure that the system is in proper working condition before loading objects onto the system. Check tightness of all bolts and screws periodically. Failure to properly maintain the system could result in damage to property or injury.

## **WARNING AND DISCLAIMER**

Spire LLC (d/b/a StoreYour) expressly disclaims any and all liability for personal injury, property damage or loss, whether direct, indirect, incidental, resulting from the incorrect mounting, improper use, inadequate maintenance, or neglect of this system.

# WALL SHELF PARTS



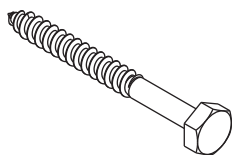
## WEIGHT LIMITS:

200 lbs. per assembled shelf

## REQUIRED TOOLS:

Drill/driver  
3/16" (5mm drill bit)  
12mm Socket Driver  
Phillips Screw driver  
Level

# HARDWARE



**G**

Lag Screw  
1/4" x 2.5"  
12mm Socket  
Qty 8



**H**

Large Washer  
1/4"  
Qty 8



**I**

Small Phillips Screw  
M4 x 10mm  
Qty 4

# INSTALLATION STEPS

1

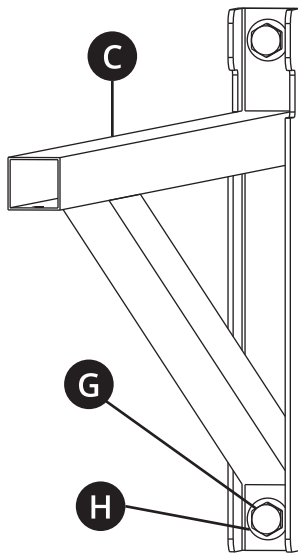
Use a stud finder and pencil to find and mark the center of the wall studs where you will mount the Shelf Brackets (C)

Hold the Shelf Bracket for one side against the wall and mark the hole locations along the center of the stud.

**2**

Use a 3/16" (5mm) drill bit to drill pilot holes at the hole locations you marked.

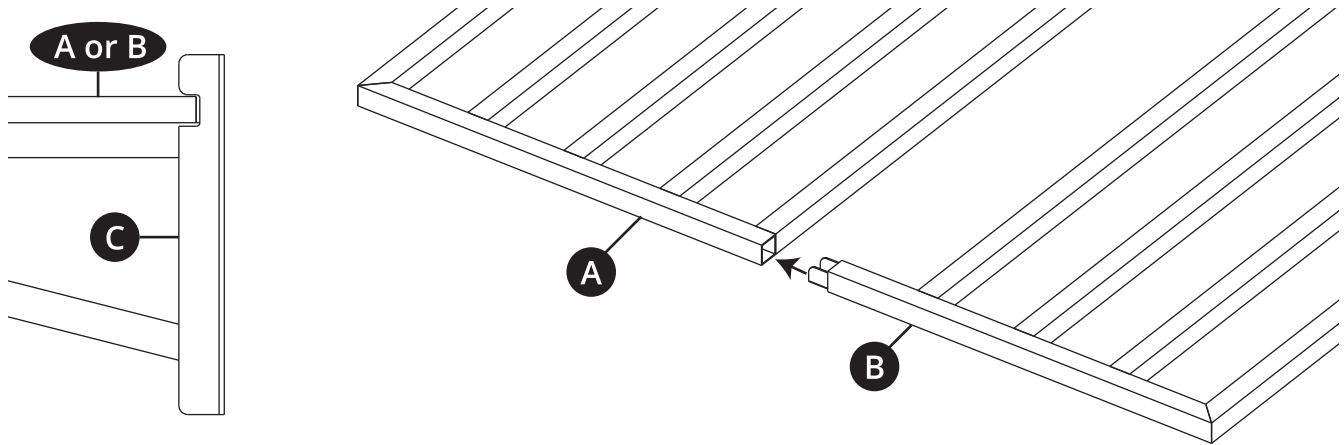
Use a 12mm socket driver to install the Lag Screws and Washers onto the Wall Brackets.

**3**

Hold the other bracket against the wall and place a level on top of the Shelf across both brackets. Adjust the height of the second bracket so the shelf is level. Mark the hole locations of the second bracket in line with the center of the stud where it will be mounted. Drill pilot holes and attach with the Lag Screws and Washers the same as you did for the first bracket.

**4**

Place the bent metal tabs on the Extension Shelf (B) into the open tube side of the Main Shelf (A) and push them against the wall and into the notch on the Shelf Bracket (C).

**5**

Place the Shelf Lock (D) over the Shelf (A or B) and slide it over the end of the Shelf Bracket (C) so the slot on the Shelf Lock is aligned with the hole on the bottom of the Shelf Bracket. Use a Small Screw (I) to secure the Shelf Lock to the Shelf Bracket.

