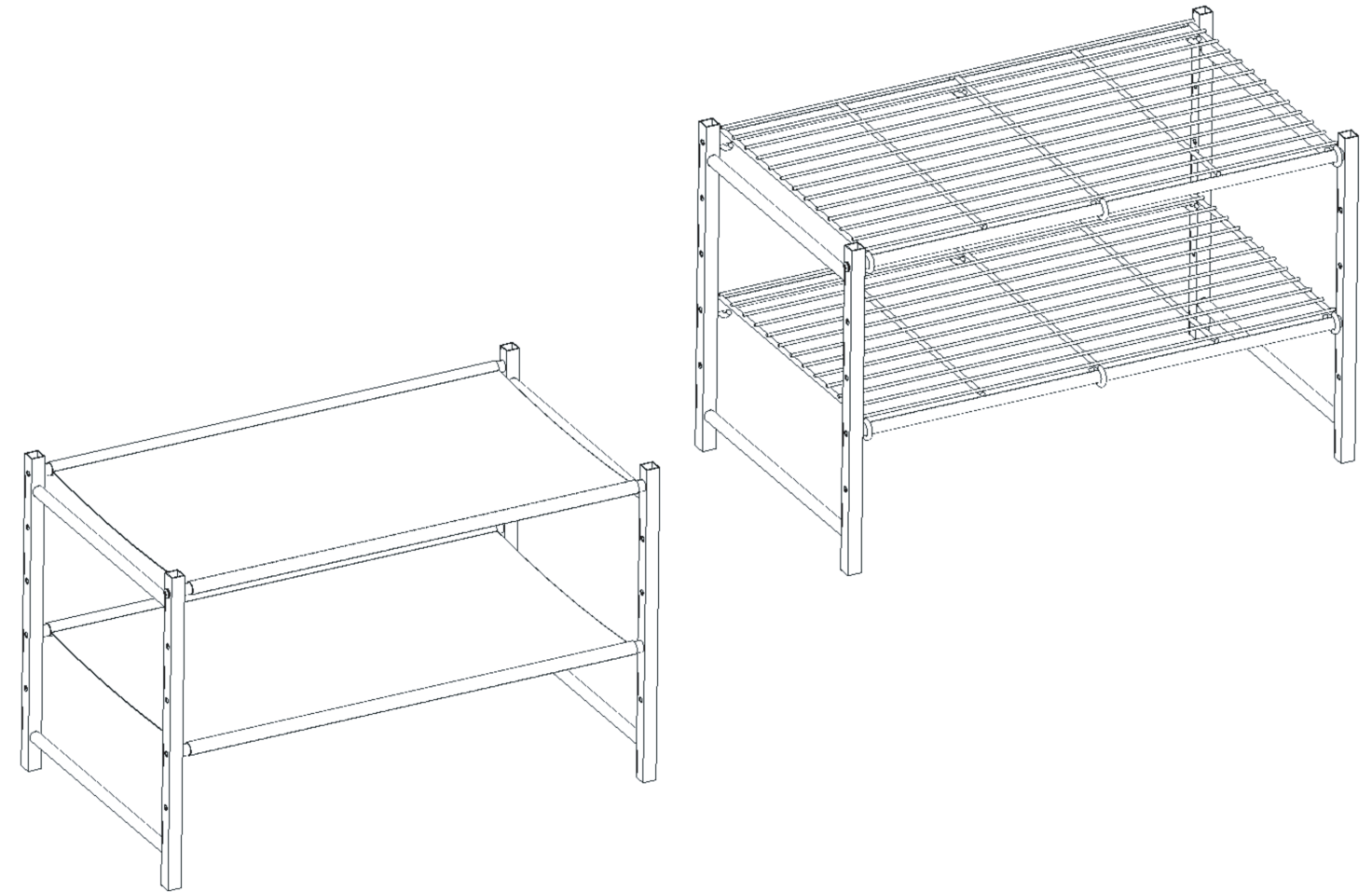


▲ TEAL TRIANGLE



INSTALLATION GUIDE ASPEN MODULAR SHOE RACK

IMPORTANT INFORMATION

Aspen Modular Shoe Rack

Manufactured for Spire LLC by Yeahsun in China

Quantity: 1

WARNING! The Aspen Modular Shoe Rack is NOT intended for use by any person under the age of 18 years old. You must be over the age of 18 to install or use the Aspen Modular Shoe Rack.

WARNING! Strictly follow all instructions to avoid an accident, damage to property, personal injury or death.

WARNING! Do not use this product for human suspension. Components can fail causing person to fall, possibly resulting in serious injury or death.

READ THE ENTIRE USER MANUAL BEFORE INSTALLATION

The User Manual you received with your Aspen Modular Shoe Rack provides instructions on how to install and use your shoe rack. The instructions are written for a person with a basic understanding of tools and procedures. Read the entire manual before proceeding. If you do not understand any portion of the instructions, do not attempt installation, and call 1-877-880-5934.

CORRECTLY INSTALL THE PRODUCT

Read and follow all instructions carefully.

Accordingly, it is critical that the Aspen Modular Shoe Rack be installed correctly and according to the instructions in the User Manual.

USE TOOLS SAFELY

The procedures in the User Manual may require climbing ladders and/or operating power tools. Make sure you are familiar with these tools and their safety procedures before attempting to use such tools during installation. Always be aware of electrical wires during installation. Failure to do so could result in an electrical shock or death.

WARNING!

Contact with wires can give you a severe electrical shock, which may cause injury or death. If you do not know where wires are, have the work done by an experienced professional.

IMPORTANT INFORMATION

CAUTION

It is the consumer's responsibility to install this system in accordance with all codes, ordinances, and local regulations.

When installing the Aspen Modular Shoe Rack, it is the consumer's responsibility to ensure the structural integrity of the structure it is being mounted to.

The Aspen Modular Shoe Rack is intended for the storage of shoes only. Do not use it for any other purpose.

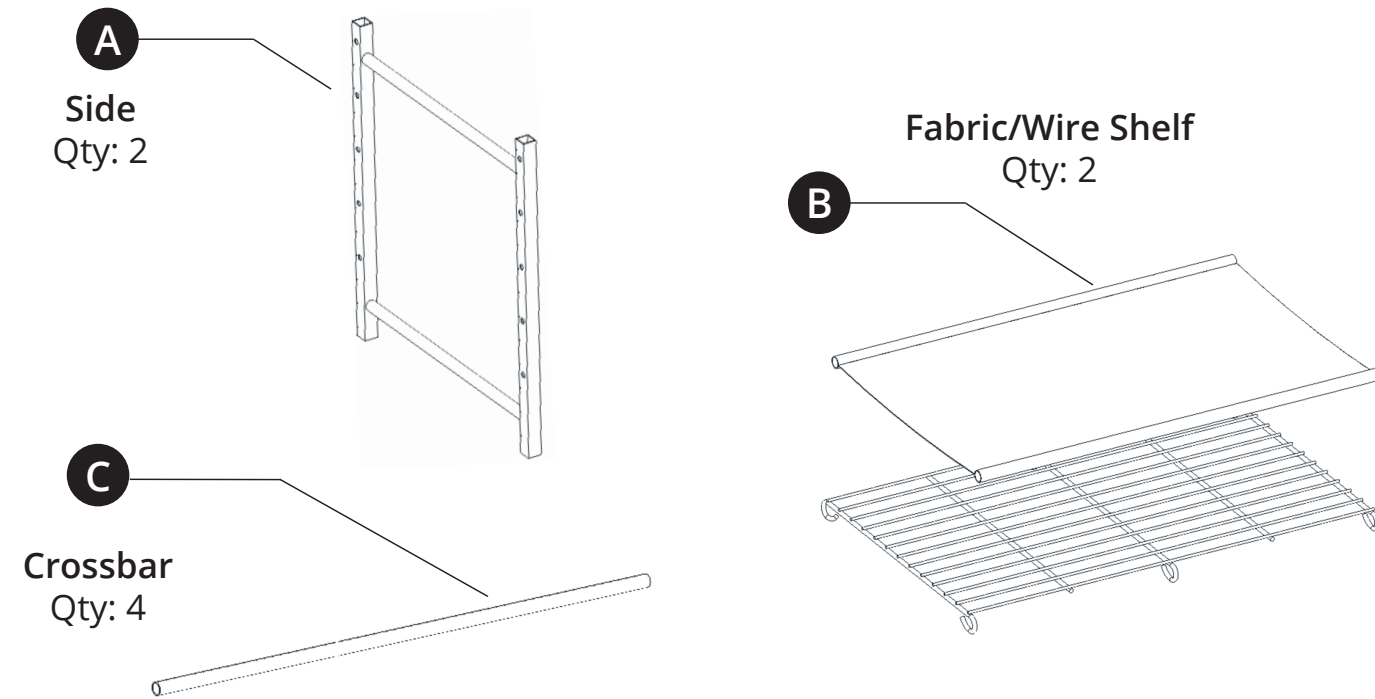
This system has a maximum capacity of 20 lbs. Overloading the system could result in damage to property or injury.

It is the consumer's responsibility to ensure that the system is in proper working condition before loading objects onto the system. Check tightness of all bolts and screws periodically. Failure to properly maintain the system could result in damage to property or injury.

WARNING AND DISCLAIMER

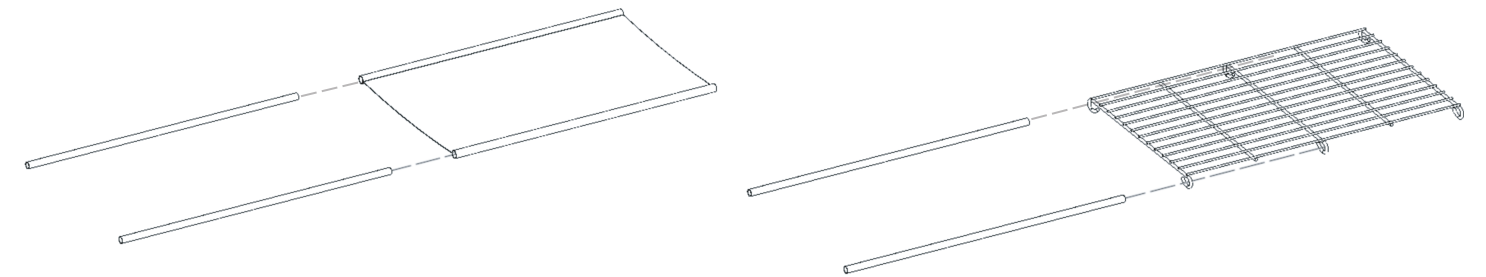
Spire LLC (d/b/a Teal Triangle) expressly disclaims any and all liability for personal injury, property damage or loss, whether direct, indirect, incidental, resulting from the incorrect mounting, improper use, inadequate maintenance, or neglect of this system.

INSTALLATION



1

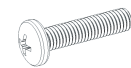
Slide the provided crossbars (C) into the shelf (B).



2

Align the crossbar (C) at the chosen height with the hole in the side (A). Using the included hardware, fasten the side (A) to the crossbar (C). Repeat for other shelf at desired height.

INCLUDED HARDWARE:



A

Screws
Qty: 8

RECOMMENDED TOOLS:

Phillips Head Screwdriver

WEIGHT LIMITS:

20 lbs. max

