

INSTALLATION GUIDE

STILLWATER FISHING RACK



SCAN THIS QR CODE FOR
THE FULL INSTALL VIDEO.

Questions or Concerns?

Contact us at:  info@storeyourboard.com

IMPORTANT INFORMATION

Fishing Rack

Manufactured for Spire LLC in Vietnam

Quantity: 1

WARNING! The product is NOT intended for use by any person under the age of 18 years old. You must be over the age of 18 to install or use the product.

WARNING! Strictly follow all instructions to avoid an accident, damage to property, personal injury or death.

READ THE ENTIRE USER MANUAL BEFORE INSTALLATION

The User Manual you received with your product provides instructions on how to install and use your product. The instructions are written for a person with a basic understanding of tools and procedures. Read the entire manual before proceeding. If you do not understand any portion of the instructions, do not attempt installation, and email us with the information on the cover.

CORRECTLY INSTALL THE PRODUCT

Read and follow all instructions carefully.

Failure to properly install and use the product could allow the product to dismantle or fall, injuring persons or personal property in the process. Accordingly, it is critical that the product be assembled and installed correctly and according to the instructions in the User Manual.

USE TOOLS SAFELY

The procedures in the User Manual may require climbing ladders and/or operating power tools. Make sure you are familiar with these tools and their safety procedures before attempting to use such tools during installation. Always be aware of electrical wires during installation. Failure to do so could result in an electrical shock or death.

CAUTION

It is the consumer's responsibility to install this system in accordance with all codes, ordinances, and local regulations.

When installing the product, it is the consumer's responsibility to ensure the structural integrity of the structure it is being mounted to.

The product is intended for the storage of sporting equipment only. Do not use it for any other purpose.

This system has a maximum capacity stated in the following section. Overloading the system could result in damage to property or injury.

Use extreme caution when loading and unloading equipment from this system.

It is the consumer's responsibility to ensure that the system is in proper working condition before loading objects onto the system. Check tightness of all bolts and screws periodically. Failure to properly maintain the system could result in damage to property or injury.

WARNING AND DISCLAIMER

Spire LLC (d/b/a StoreYourBoard) expressly disclaims any and all liability for personal injury, property damage or loss, whether direct, indirect, incidental, resulting from the incorrect mounting, improper use, inadequate maintenance, or neglect of this system.

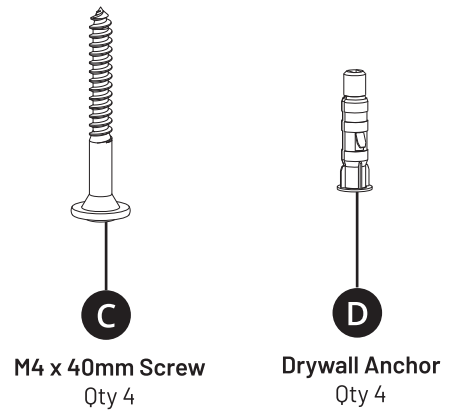
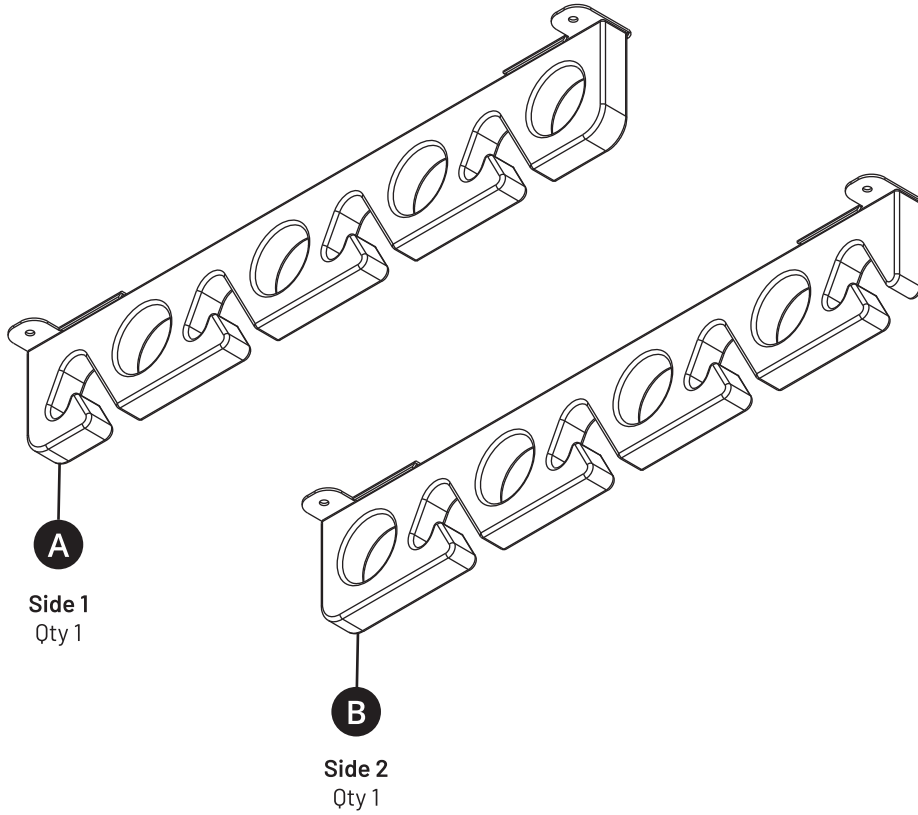
PARTS & HARDWARE

WEIGHT LIMITS:

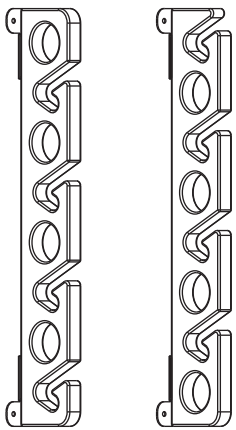
40 lbs total

REQUIRED TOOLS:

Drill/driver
3/32" (2.5mm drill bit)
Phillips Screw driver
Level

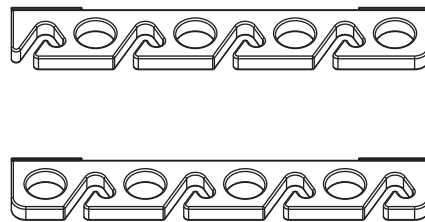


INSTALLATION OPTIONS



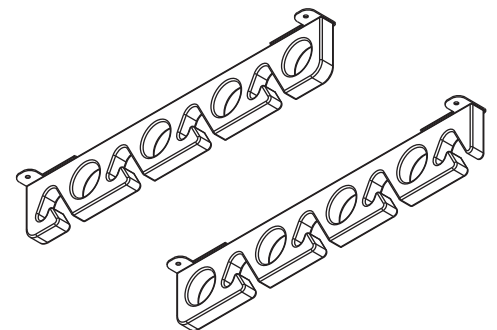
Wall

Rods are Horizontal
Sides mounted vertically
along studs



Wall

Rods are Vertical
Sides are mounted
horizontally between 2
studs



Ceiling

Rods and sides can be parallel or
perpendicular to joists based on
preference

INSTALLATION STEPS

- 1 Plan your orientation based on the 3 options in the previous section. Use a stud finder to locate and mark the center of the wall studs or ceiling joists where you will install the sides.

NOTE: The holes on each side are exactly 16 inches apart for standard spacing of most wall studs and ceiling joists

- 2 **NOTE: Make sure you align the two sides as shown in the images in the previous section. The cutouts are designed for alignment with the opposite side based on each installation orientation.**

For mounting directly to studs or joists (Recommended): Align the sides with the centers of the studs or joists you found and mark the holes where you will mount them to the wall or ceiling. Use a level if wall mounting.

Use a 3/32" drill bit to drill pilot holes and attach the sides (A + B) with the provided screws (C).

Drywall Anchor: If there are no studs or joists where you want to mount the sides, use the drywall anchors (E). Use a level and mark the hole locations of the side brackets. Use a 3/16" (5mm) drill bit and press the drywall anchors into the holes, then attach the sides with the provided screws (C) into the drywall anchors until just tight, do not overtighten.

- 3 Load your rods onto the rack and enjoy!

