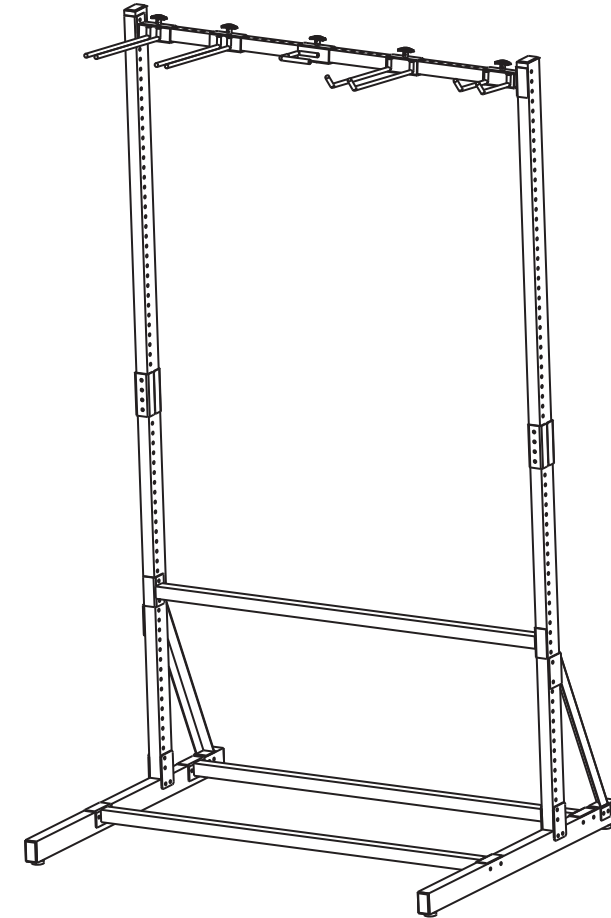


▲ TEAL TRIANGLE



INSTALLATION GUIDE

FREESTANDING G-SYSTEM RACK

Questions or Concerns? Contact us at:

☎ 1.877.880.5934

✉ support@tealtriangle.com

IMPORTANT INFORMATION

Freestanding G-System Rack

Manufactured for Spire LLC by Tellbe in Vietnam

Quantity: 1

WARNING! The Freestanding G-System Rack is NOT intended for use by any person under the age of 18 years old. You must be over the age of 18 to install or use the Freestanding G-System Rack.

WARNING! Strictly follow all instructions to avoid an accident, damage to property, personal injury or death.

WARNING! Do not use this product for human suspension. Components can fail causing person to fall, possibly resulting in serious injury or death.

WARNING! When operating system, make sure the area below object is clear of persons. If object comes down too quickly, this can cause an accident.

READ THE ENTIRE USER MANUAL BEFORE INSTALLATION

The User Manual you received with your Freestanding G-System Rack provides instructions on how to install and use your Freestanding G-System Rack. The instructions are written for a person with a basic understanding of tools and procedures. Read the entire manual before proceeding. If you do not understand any portion of the instructions, do not attempt installation, and call 1-877-880-5934.

CORRECTLY INSTALL THE PRODUCT

Read and follow all instructions carefully.

Failure to properly install and use the Freestanding G-System Rack could allow the product to dismantle or tip over, injuring persons or personal property in the process. Accordingly, it is critical that the Freestanding G-System Rack be installed correctly and according to the instructions in the User Manual.

USE TOOLS SAFELY

The procedures in the User Manual may require climbing ladders and/or operating power tools. Make sure you are familiar with these tools and their safety procedures before attempting to use such tools during installation. Always be aware of electrical wires during installation. Failure to do so could result in an electrical shock or death.

WARNING!

Contact with wires can give you a severe electrical shock, which may cause injury or death. If you do not know where wires are, have the work done by an experienced professional.

IMPORTANT INFORMATION

CAUTION

It is the consumer's responsibility to install this system in accordance with all codes, ordinances, and local regulations.

When installing the Freestanding G-System Rack, it is the consumer's responsibility to ensure the structural integrity of the structure it is being mounted to.

The Freestanding G-System Rack is intended for the storage of sporting equipment only. Do not use it for any other purpose.

This system has a maximum capacity of 300 lbs. Overloading the system could result in damage to property or injury.

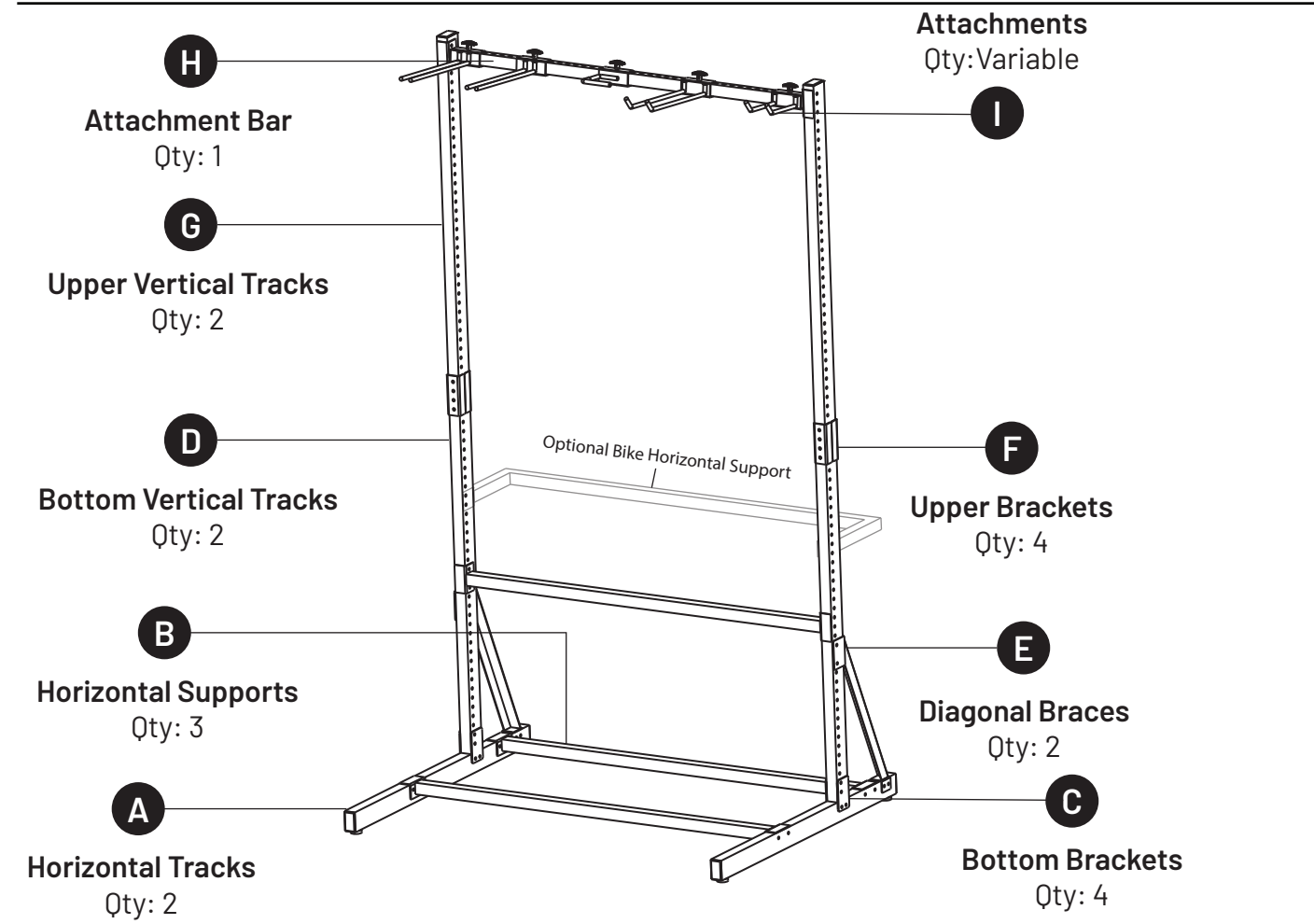
Use extreme caution when loading and unloading equipment from this system.

It is the consumer's responsibility to ensure that the system is in proper working condition before loading objects onto the system. Check tightness of all bolts and screws periodically. Failure to properly maintain the system could result in damage to property or injury.

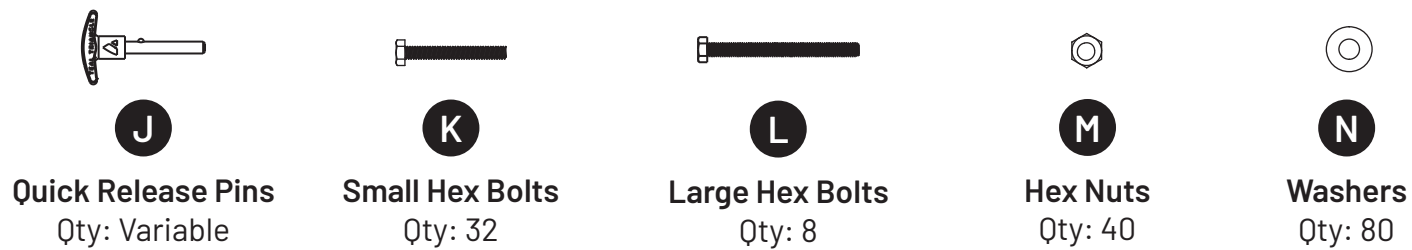
WARNING AND DISCLAIMER

Spire LLC (d/b/a Teal Triangle) expressly disclaims any and all liability for personal injury, property damage or loss, whether direct, indirect, incidental, resulting from the incorrect mounting, improper use, inadequate maintenance, or neglect of this system.

INSTALLATION



INCLUDED HARDWARE:



RECOMMENDED TOOLS:

Drill/driver
Socket wrench w/ extension
Level
Tape measure

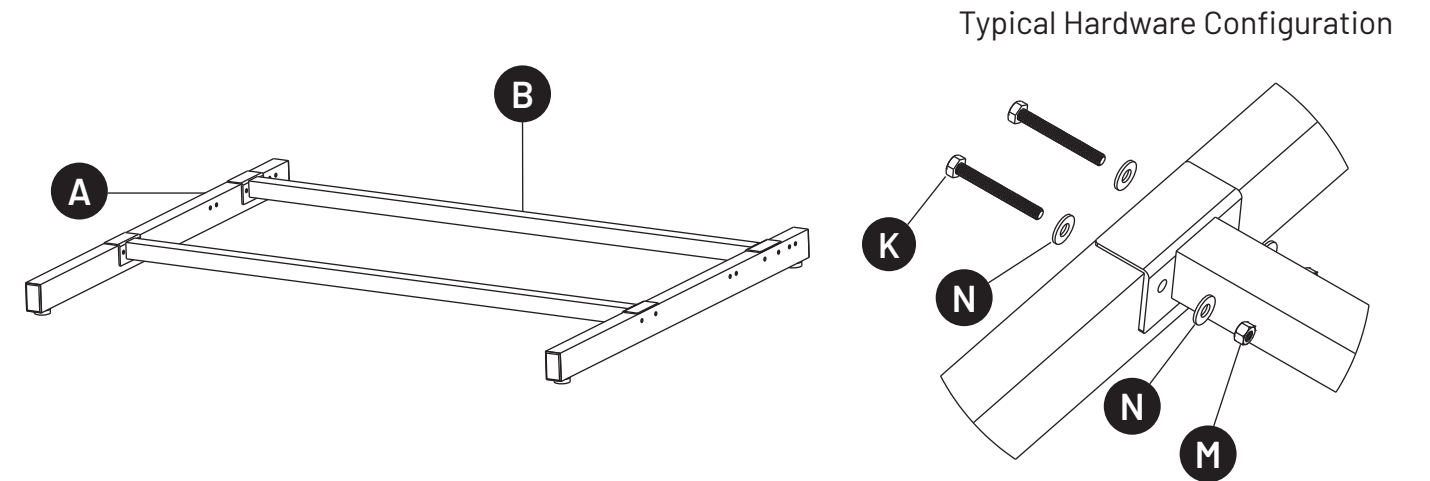
WEIGHT LIMITS:

50 lbs. max per attachment
300 lbs. max total

*weight must be evenly distributed

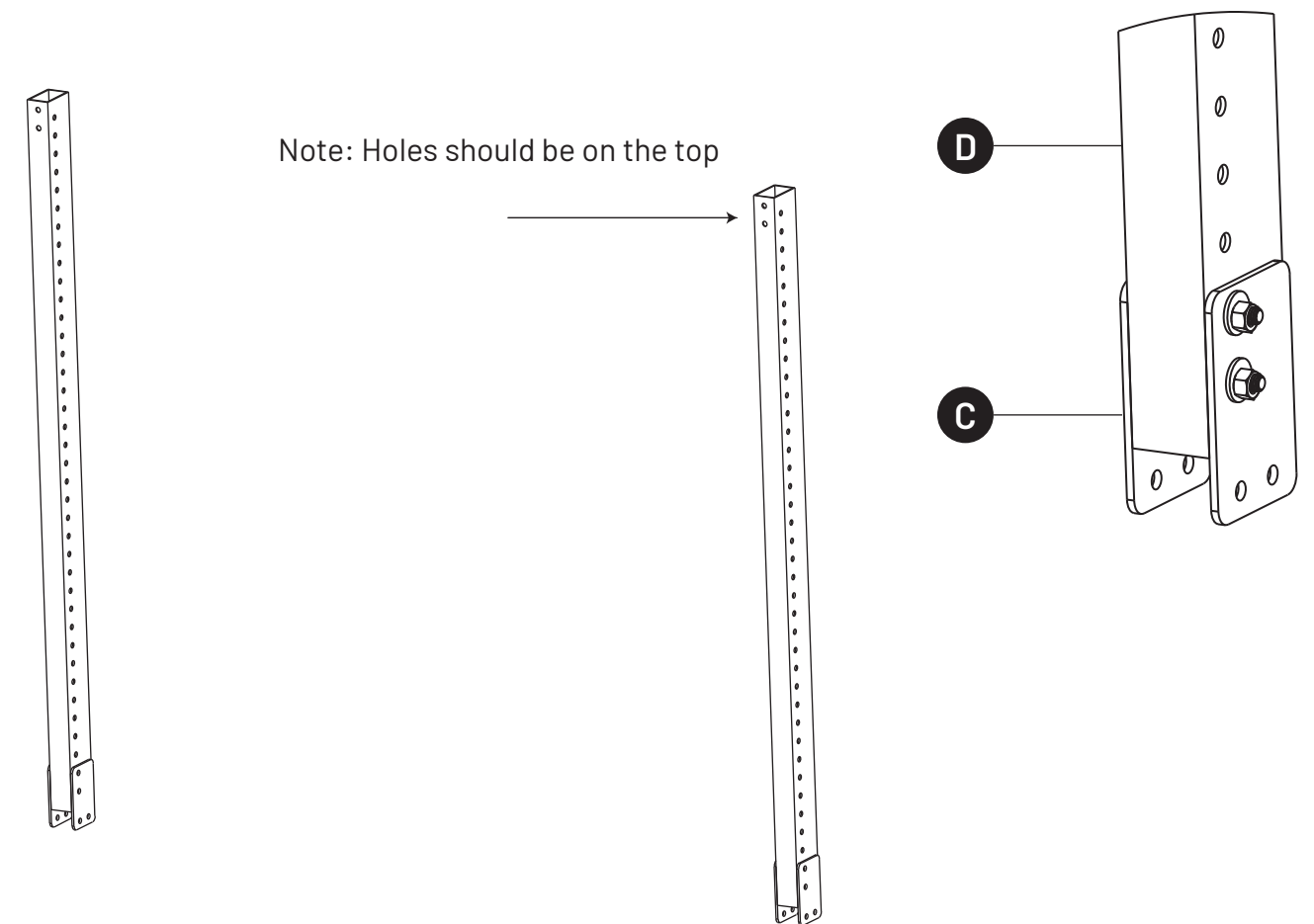
1

Fasten two Horizontal Supports (B) to the left and right Horizontal Tracks (A). Use 8 Small Hex Bolts (K), 16 Washers (N), and 8 Hex Nuts (M) for this step. Take note of the orientation in the picture.



2

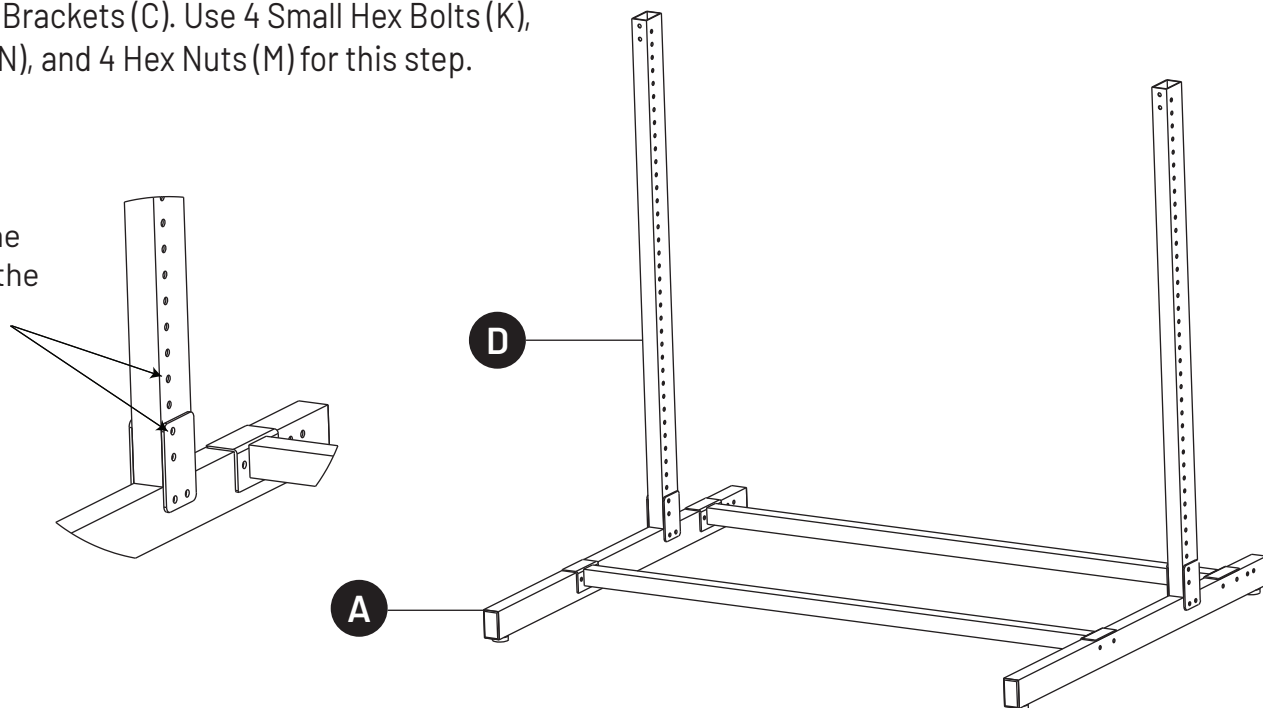
Fasten two Bottom Brackets (C) to each Bottom Vertical Track (D). Use 4 Small Hex Bolts (K), 8 Washers (N), and 4 Hex Nuts (M) for this step. Ensure the Bottom Brackets (C) are flush (side to side) with Bottom Vertical Tracks (D). Take note of the orientation in the picture. Note: The Bottom Vertical Tracks (D) do not have any end caps



3

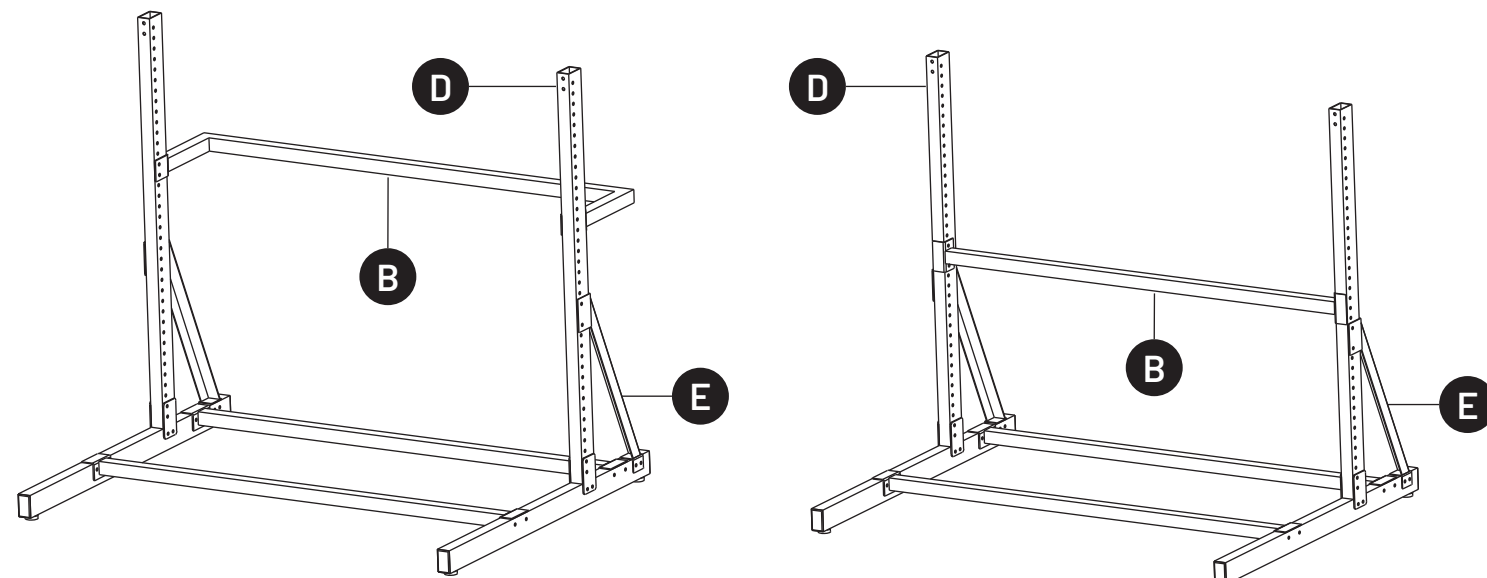
Assemble the Bottom Vertical Tracks (D) on the Horizontal Tracks (A) using the 2 remaining holes on the Bottom Brackets (C). Use 4 Small Hex Bolts (K), 8 Washers (N), and 4 Hex Nuts (M) for this step.

Take note of the orientation of the holes



5

Assemble the final Horizontal Support (B) to both of the Bottom Vertical Tracks (D). Use 4 Small Hex Bolts (K), 8 Washers (N), and 4 Hex Nuts (M) for this step. Take note of the different orientations based on which kit you have.

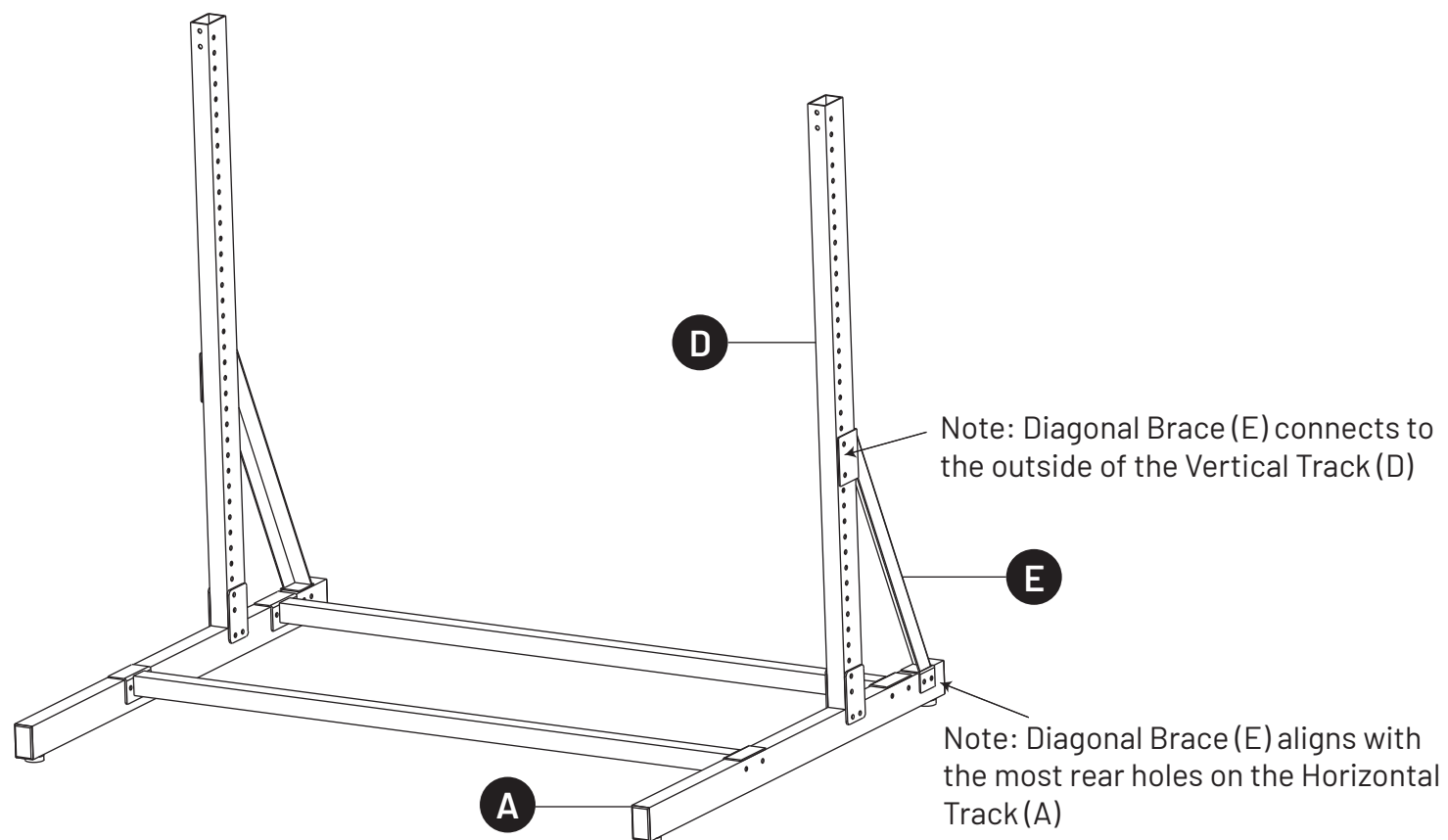


U-Shaped Bar: We recommend starting with 6 holes between the Diagonal Brace (E) and the Horizontal Support (B). Adjust as needed to align with the rear tires of your bikes.

Straight Bar: Assemble directly above the Diagonal Braces (E)

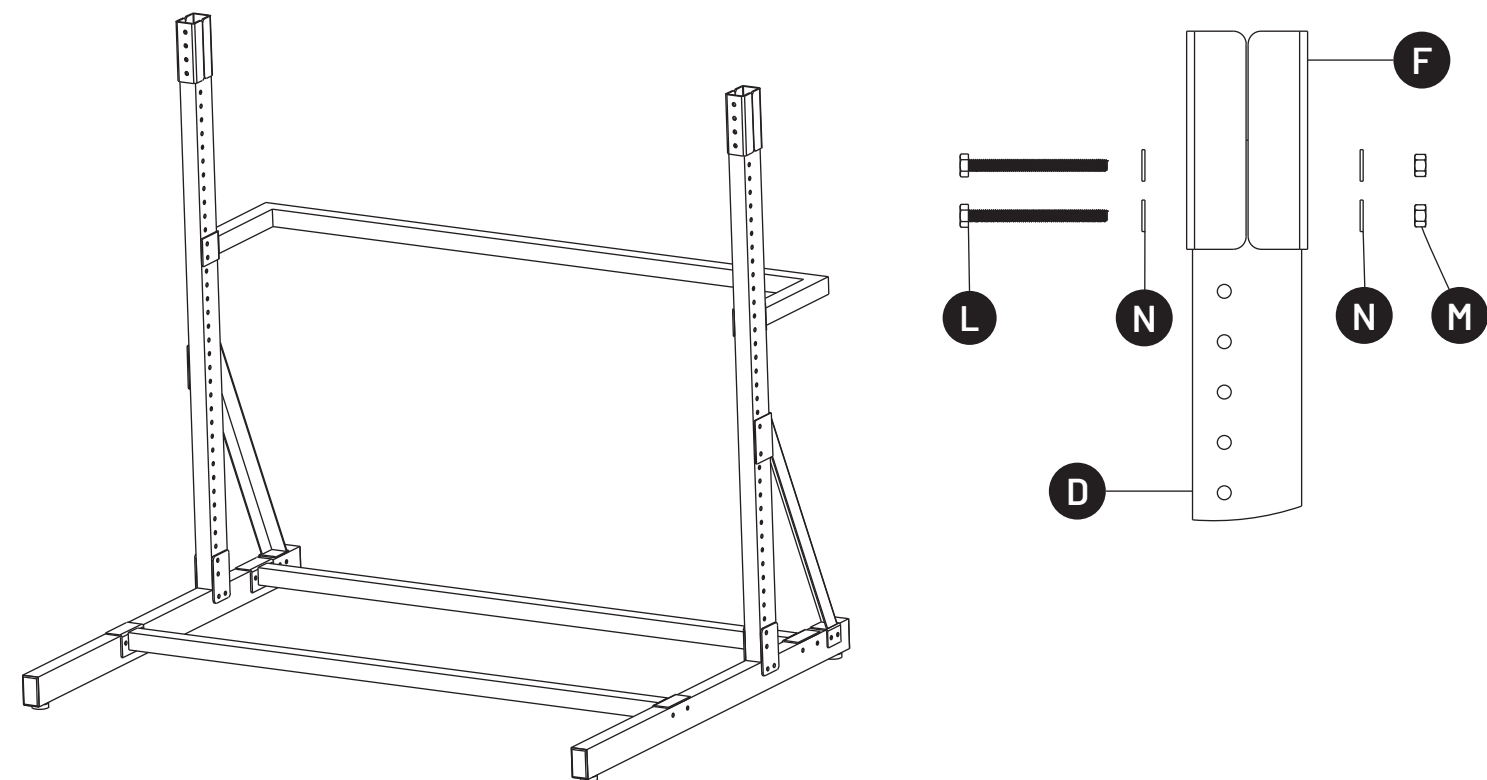
4

Assemble both Diagonal Braces (E) to the Horizontal Tracks (A) and the Bottom Vertical Tracks (D). Use 8 Small Hex Bolts (K), 16 Washers (N), and 8 Hex Nuts (M) for this step. Take note of the orientation in the picture.



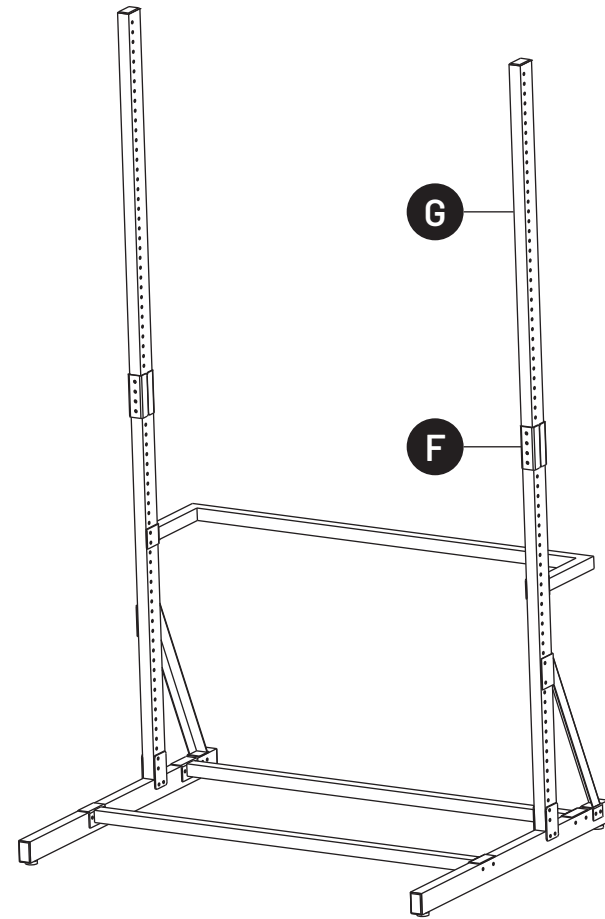
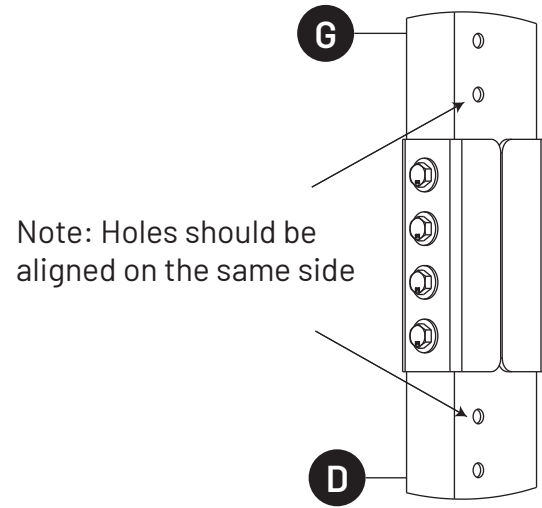
6

Fasten the Upper Brackets (F) onto both Bottom Vertical Tracks (D) by aligning the bottom two holes on the Upper Brackets (F) with the top two holes on the Bottom Vertical Tracks (D). Use 4 Large Hex Bolts (L), 8 Washers (N), and 4 Hex Nuts (M) for this step. Tip: Fully tighten the hardware and then loosen 1 turn for the next step.



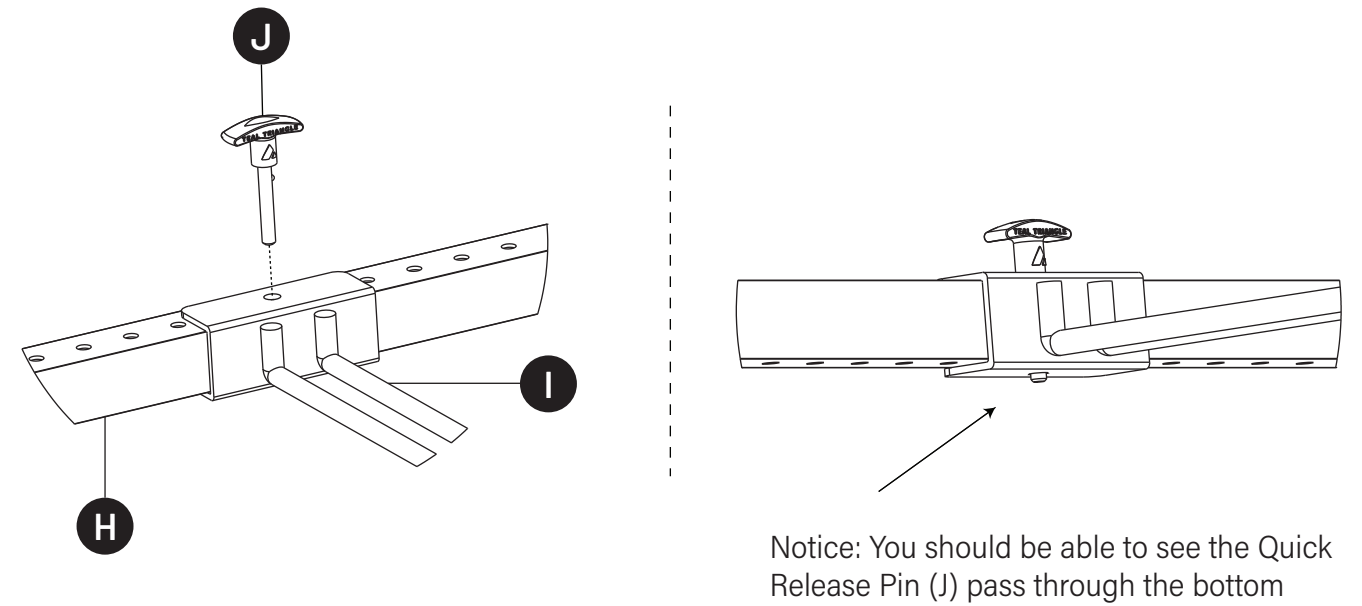
7

Assemble the Upper Vertical Tracks (G) by aligning the two bottom holes to the remaining two holes on the Upper Bracket (F). Use 4 Large Hex Bolts (L), 8 Washers (N), and 4 Hex Nuts (M) for this step. Do not forget to tighten the hardware from last step as well. Note: Ensure the end cap is at the top of the Vertical Track (G) before installing.



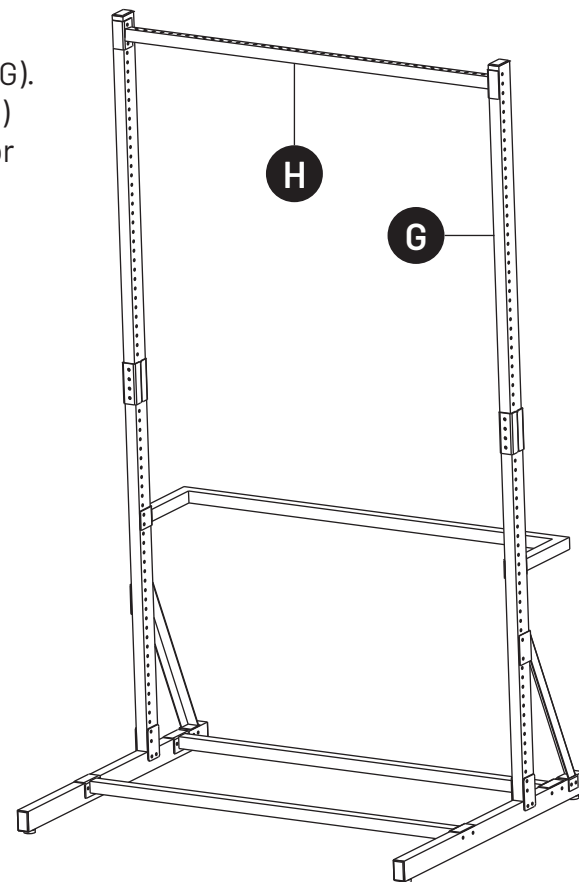
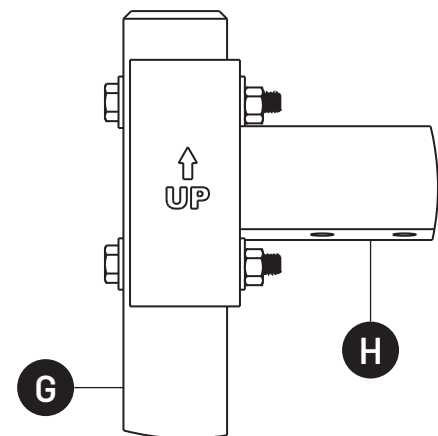
9a

Add attachments as desired by aligning the through hole on the Attachments (I) with the through hole on the Attachment Bar (H) and insert a Quick Release Pin (J). Ensure the pin extends through both sides of the attachment mount. Reference the example below.

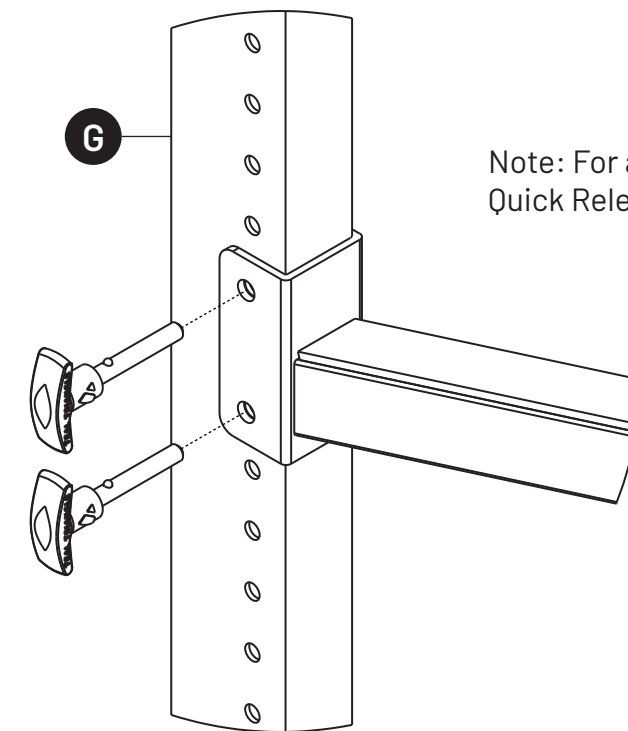


8

Assemble the Attachment Bar (H) by aligning the mounting holes with the top most holes on the Upper Vertical Track (G). Use 4 Small Hex Bolts (K), 8 Washers (N), and 4 Hex Nuts (M) for this step. Take note of the "UP" indicator on each end for correct orientation.



9b



Note: For adding vertical attachments, a second Quick Release Pin (J) may be required.