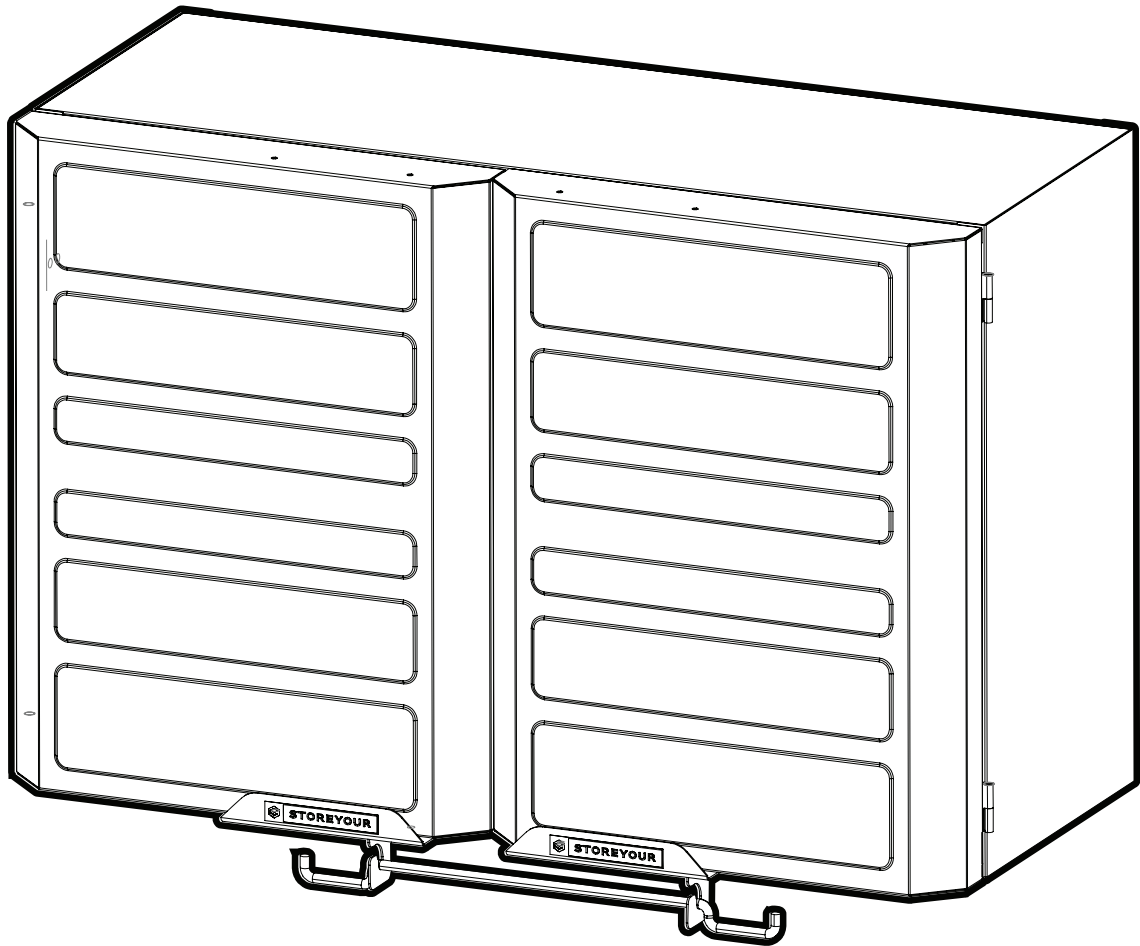




STOREYOUR




INSTALLATION GUIDE

WALL CABINET



SCAN THIS QR CODE FOR
THE FULL INSTALL VIDEO.

Questions or Concerns?

Contact us at: 

info@storeyour.com

IMPORTANT INFORMATION

Wall Cabinet

Manufactured for Spire LLC in Vietnam

Quantity: 1

WARNING! The product is NOT intended for use by any person under the age of 18 years old. You must be over the age of 18 to install or use the product.

WARNING! Strictly follow all instructions to avoid an accident, damage to property, personal injury or death.

READ THE ENTIRE USER MANUAL BEFORE INSTALLATION

The User Manual you received with your product provides instructions on how to install and use your product. The instructions are written for a person with a basic understanding of tools and procedures. Read the entire manual before proceeding. If you do not understand any portion of the instructions, do not attempt installation, and email us with the information on the cover.

CORRECTLY INSTALL THE PRODUCT

Read and follow all instructions carefully.

Failure to properly install and use the product could allow the product to dismantle or fall, injuring persons or personal property in the process. Accordingly, it is critical that the product be assembled and installed correctly and according to the instructions in the User Manual.

USE TOOLS SAFELY

The procedures in the User Manual may require climbing ladders and/or operating power tools. Make sure you are familiar with these tools and their safety procedures before attempting to use such tools during installation. Always be aware of electrical wires during installation. Failure to do so could result in an electrical shock or death.

CAUTION

It is the consumer's responsibility to install this system in accordance with all codes, ordinances, and local regulations.

When installing the product, it is the consumer's responsibility to ensure the structural integrity of the structure it is being mounted to.

This system has a maximum capacity stated in the following section. Overloading the system could result in damage to property or injury.

Use extreme caution when loading and unloading equipment from this system.

It is the consumer's responsibility to ensure that the system is in proper working condition before loading objects onto the system. Check tightness of all bolts and screws periodically. Failure to properly maintain the system could result in damage to property or injury.

WARNING AND DISCLAIMER

Spire LLC (d/b/a StoreYourBoard) expressly disclaims any and all liability for personal injury, property damage or loss, whether direct, indirect, incidental, resulting from the incorrect mounting, improper use, inadequate maintenance, or neglect of this system.

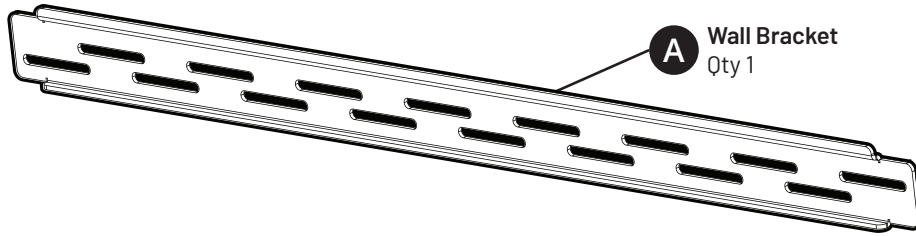
WALL CABINET PARTS

WEIGHT LIMITS:

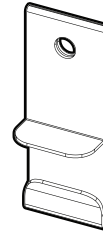
200 pounds per cabinet
TOTAL

REQUIRED TOOLS:

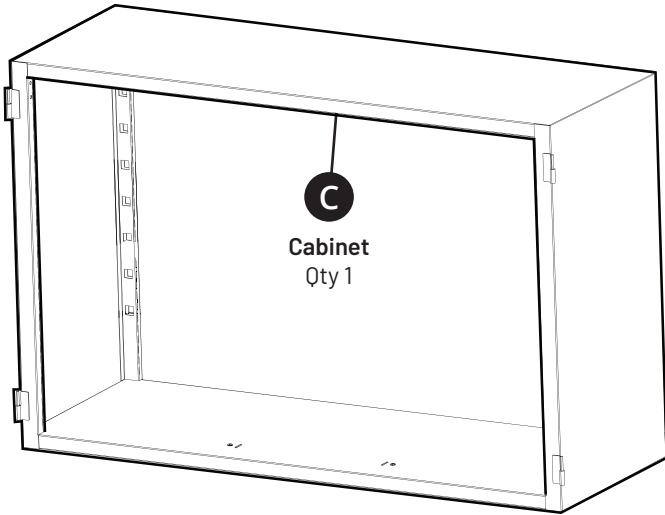
Drill and Driver
3/16" Drill Bit
7/16" Hex driver
Phillips Head Screwdriver
Stud Finder
Level



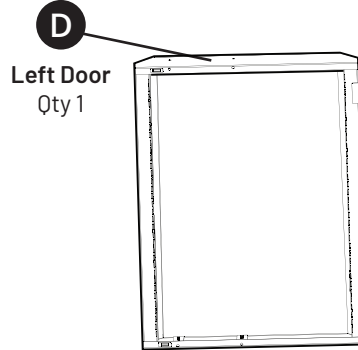
A Wall Bracket
Qty 1



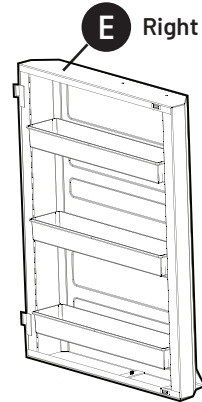
B Bottom Holder
Qty 1



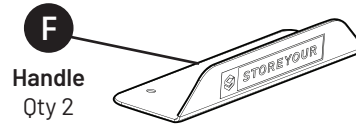
C Cabinet
Qty 1



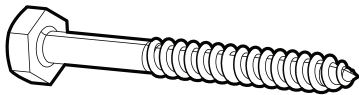
D Left Door
Qty 1



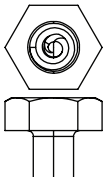
E Right Door & Trays
Qty 1



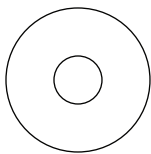
F Handle
Qty 2



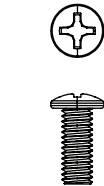
G Lag Screw
1/4" x 2.5"
7/16" Head
Qty 2



H Lag Screw Washer
Qty 4



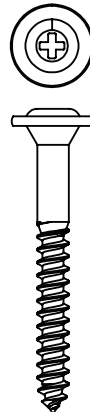
I Medium Screw
M5 x 10mm
Qty 4



J Small Screw
M4 x 6mm
Qty 2



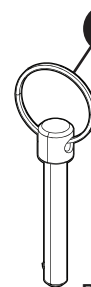
K Flange head
screw
Qty 1



L Shelf
Qty 1



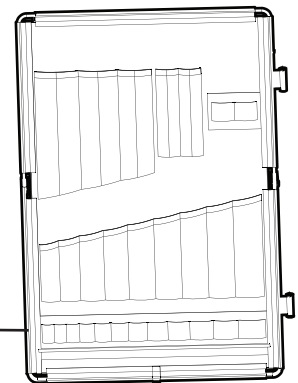
M Shelf Bracket
Qty 4



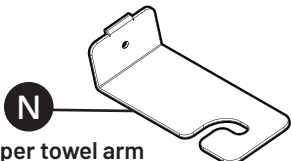
R Hinge Pin
Qty 1



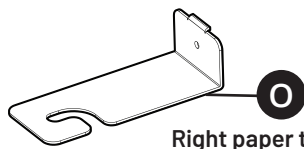
Q PIVOTPANEL™
Qty 1



P Paper-towel rod
Qty 1



N Left paper towel arm
Qty 1



O Right paper towel arm
Qty 1

INSTALLATION STEPS

A PLAN YOUR INSTALLATION

- Use a stud finder to find your stud locations.
- Determine the height that you would like to mount the cabinet at

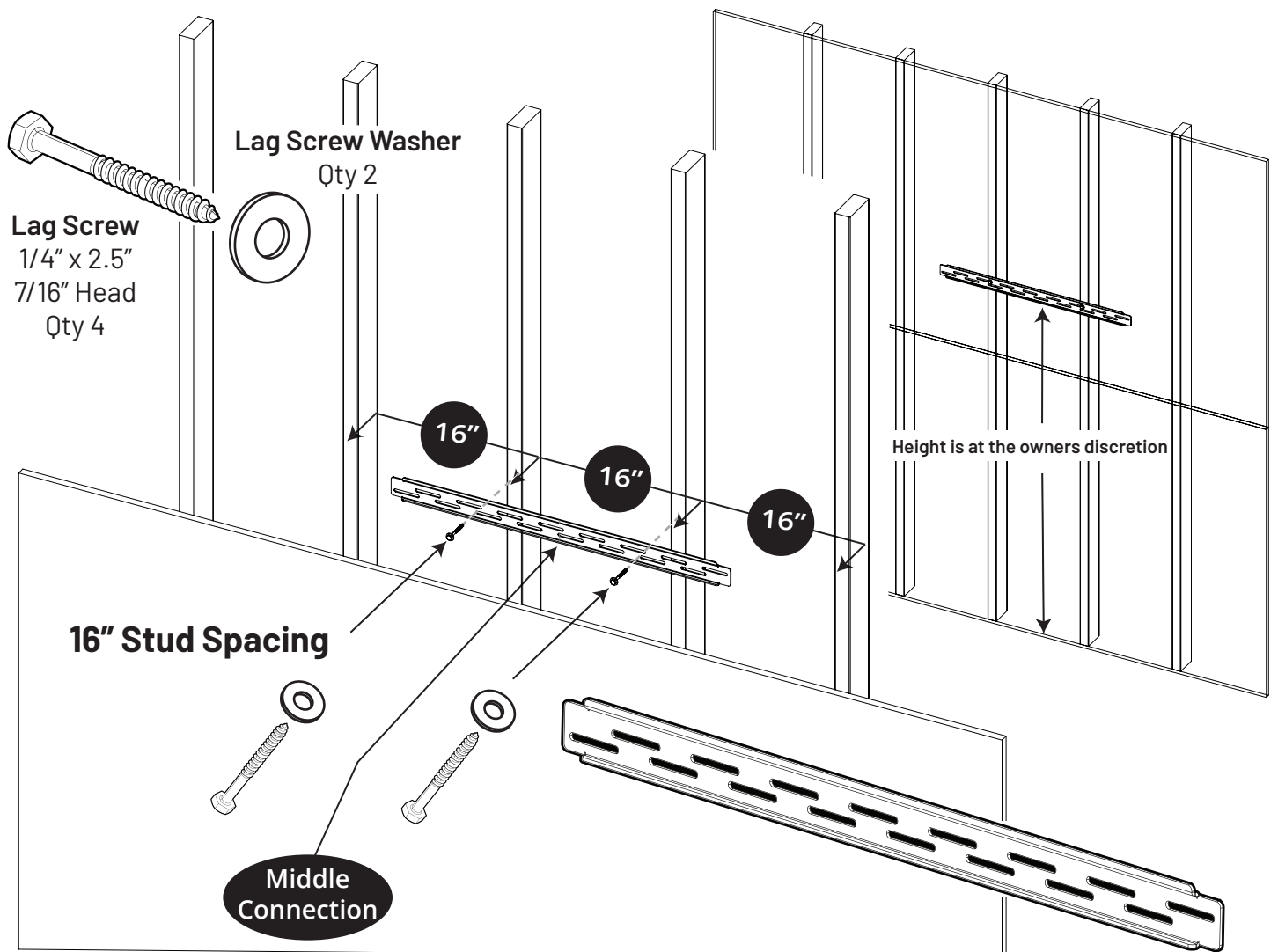
Bracket Spacing

Perpendicular to studs

- 16" studs → bracket in between so that slots are visible to 16" center

1 INSTALL THE BRACKET

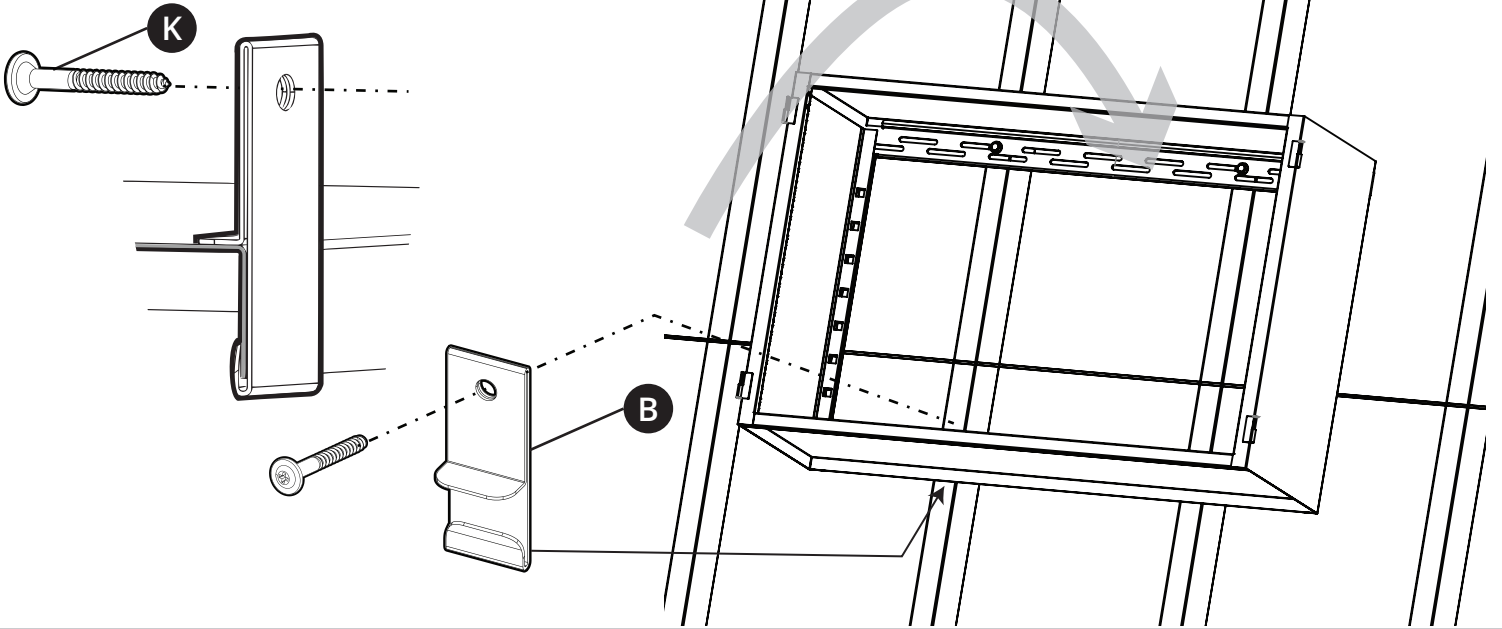
1. Mark and drill pilot holes with a 3/16" drill bit in the stud at your chosen height and distance.
2. Use the level to make certain the bracket (A) is at the height that you prefer.
3. Secure the Bracket (A) using Lag Screws (G) and washers (H).
3. Hold the bracket in place to confirm the bracket is level.
4. Once level, fully tighten all screws.



2

INSTALL THE CABINET

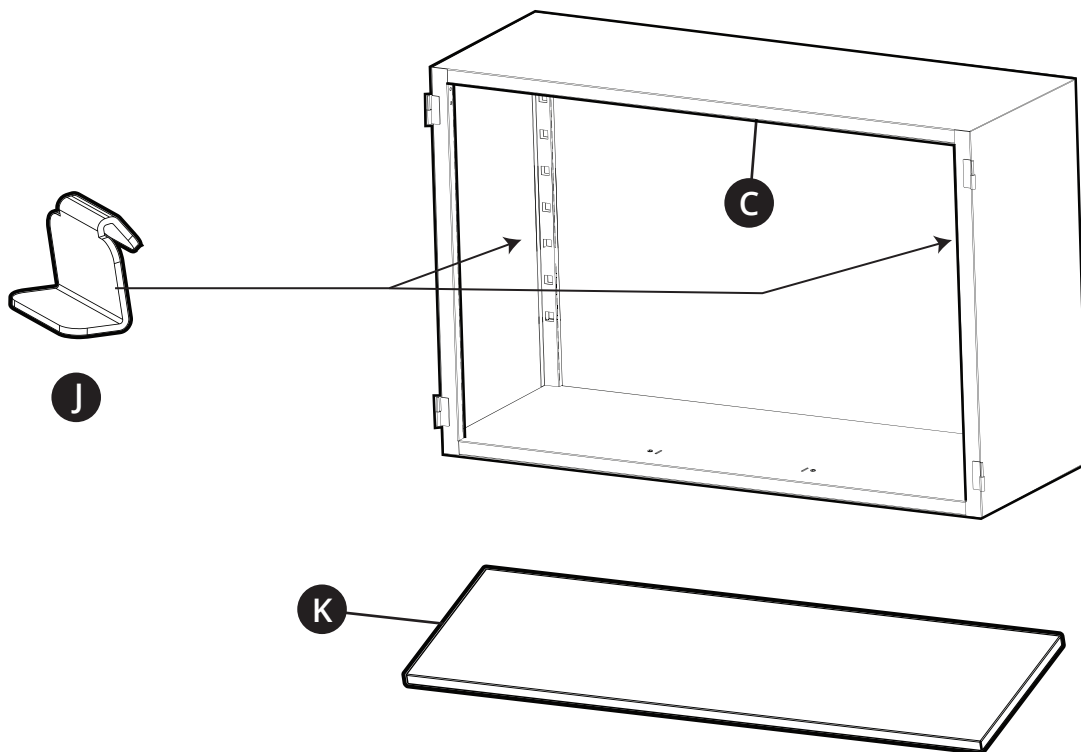
1. Once the bracket is positioned and secured, place the cabinet over the top of the bracket recess
2. Secure the cabinet with the bottom holder (B) and screw (K)
3. You are now ready for the next step



3

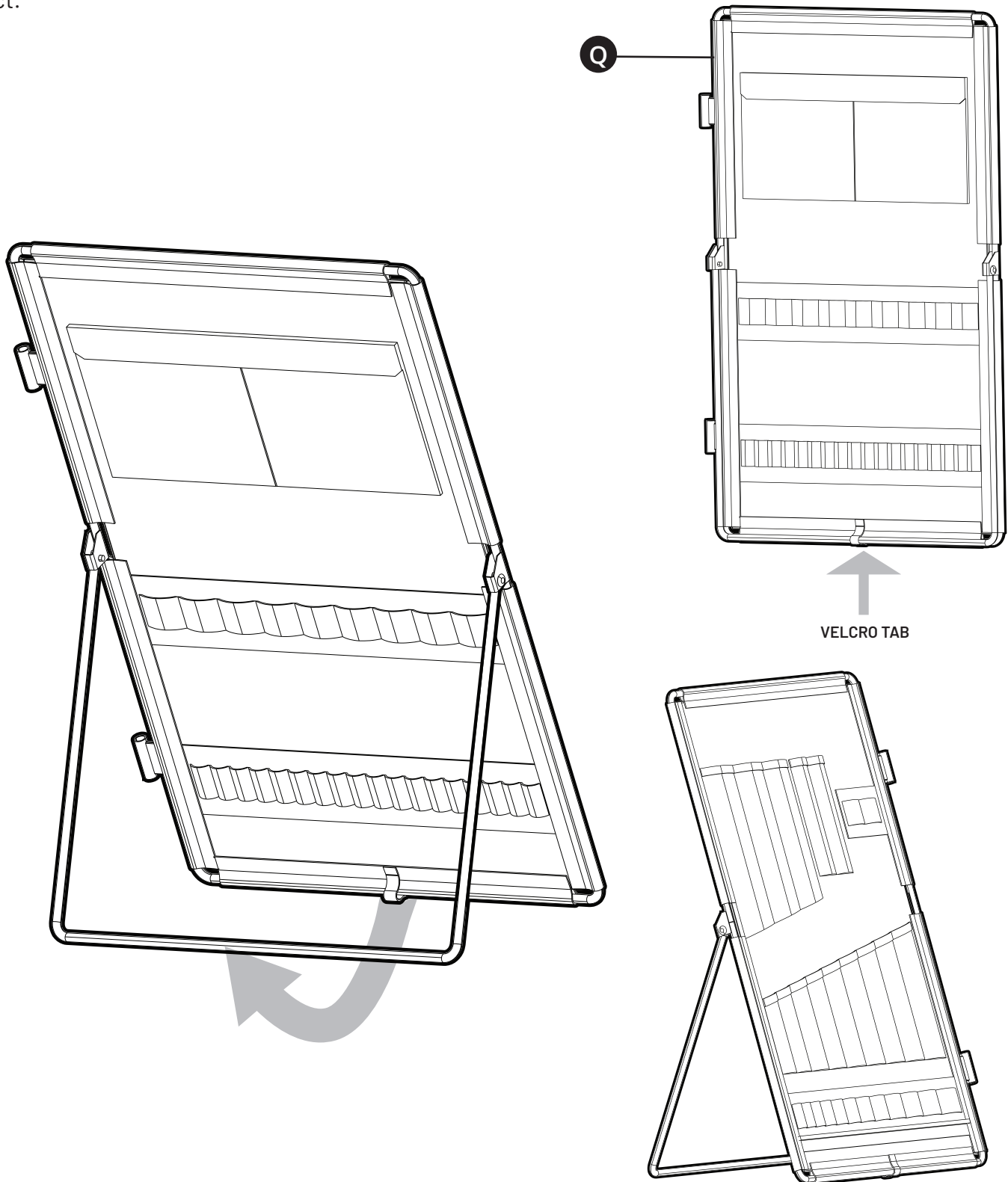
INSTALL THE SHELF

1. Using the 4 included shelf brackets (J) select the height that you want the shelf (K) to sit at.
2. Once the shelf brackets are secured, guide the shelf to its new home.
3. You are now ready for the next step.



UNDERSTANDING THE PIVOTPANEL™

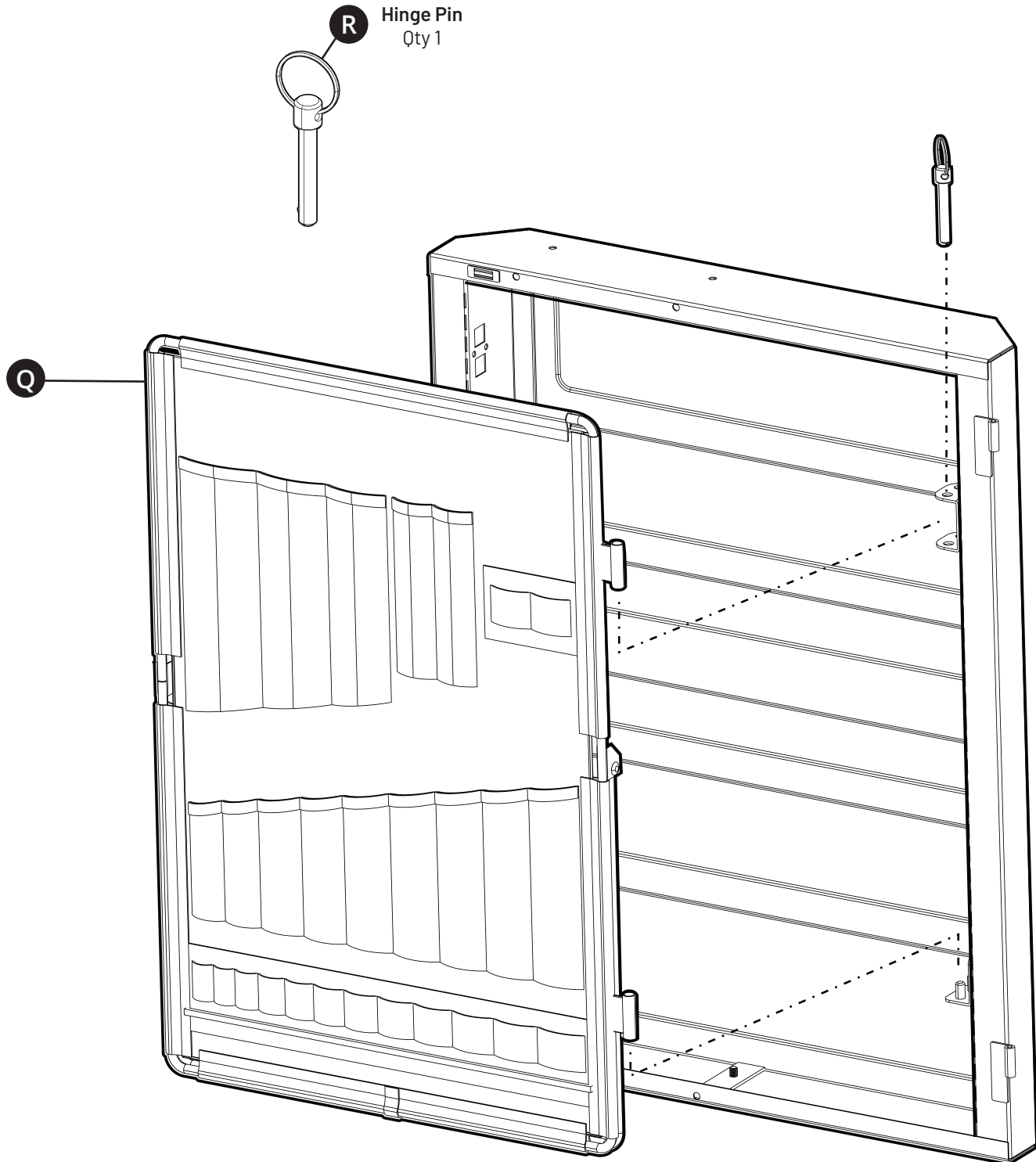
1. The PIVOTPANEL™ is designed to store your tools, crafts, fasteners, and any other stuff you can think of. It's also totally portable so you can take it with you to the project location.
2. The PIVOTPANEL™ has a built in kickstand that folds out when you need your stuff near you.
3. Pull the velcro tab at the bottom to release the kickstand, and now it is ready to be close to your project.



5

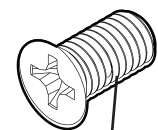
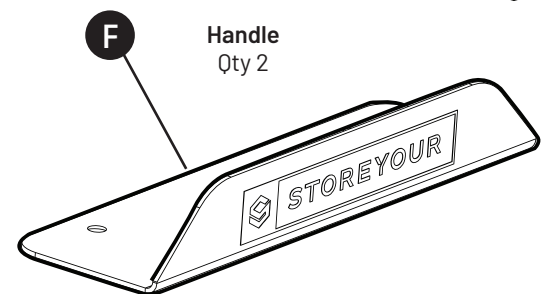
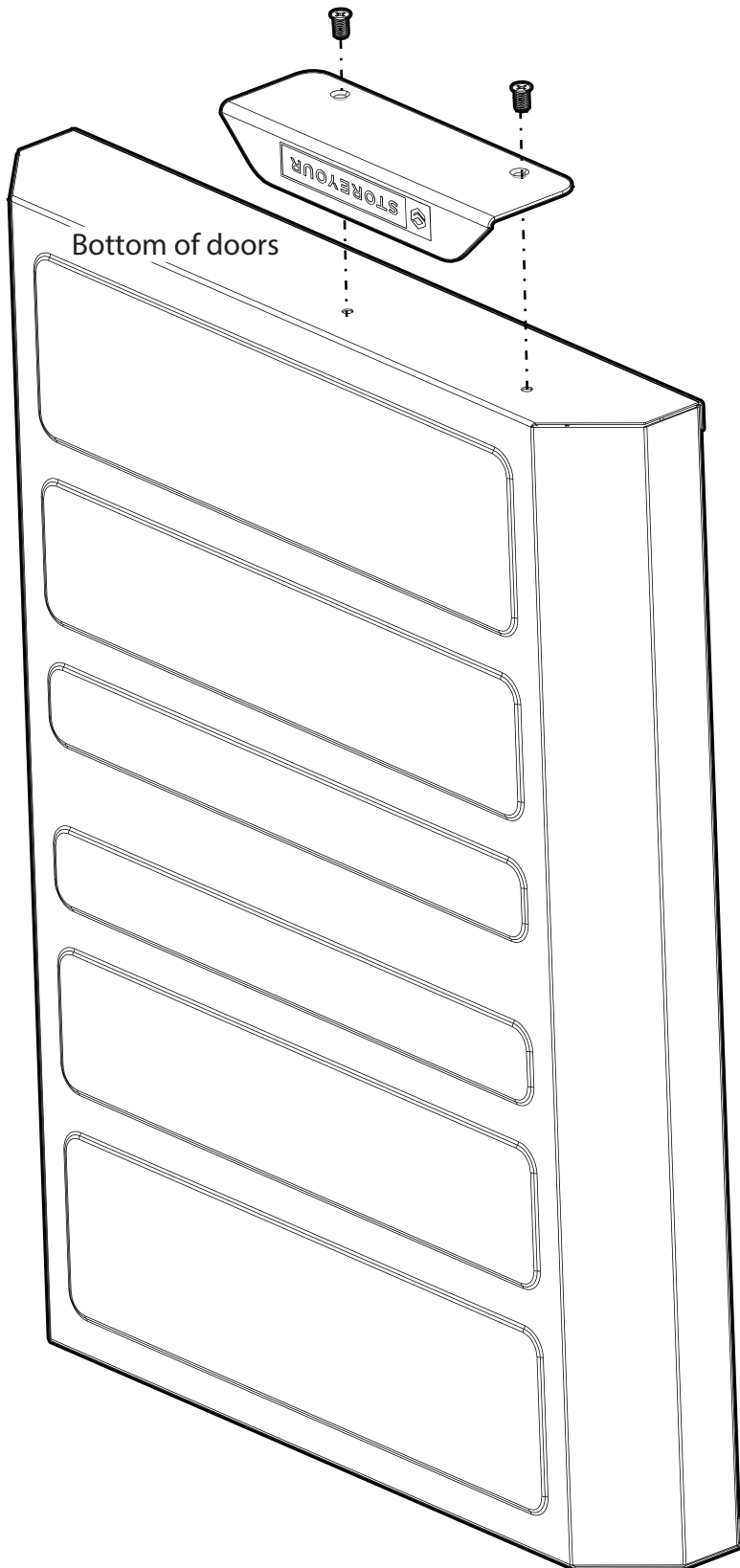
INSTALLING THE PIVOTPANEL™ ON LEFT DOOR

1. Remove the hinge pin (R) and release the PIVOTPANEL™ from the door.
2. Then pull the velcro tab at the bottom to release the kickstand now it is ready to go.



INSTALLING RIGHT DOOR

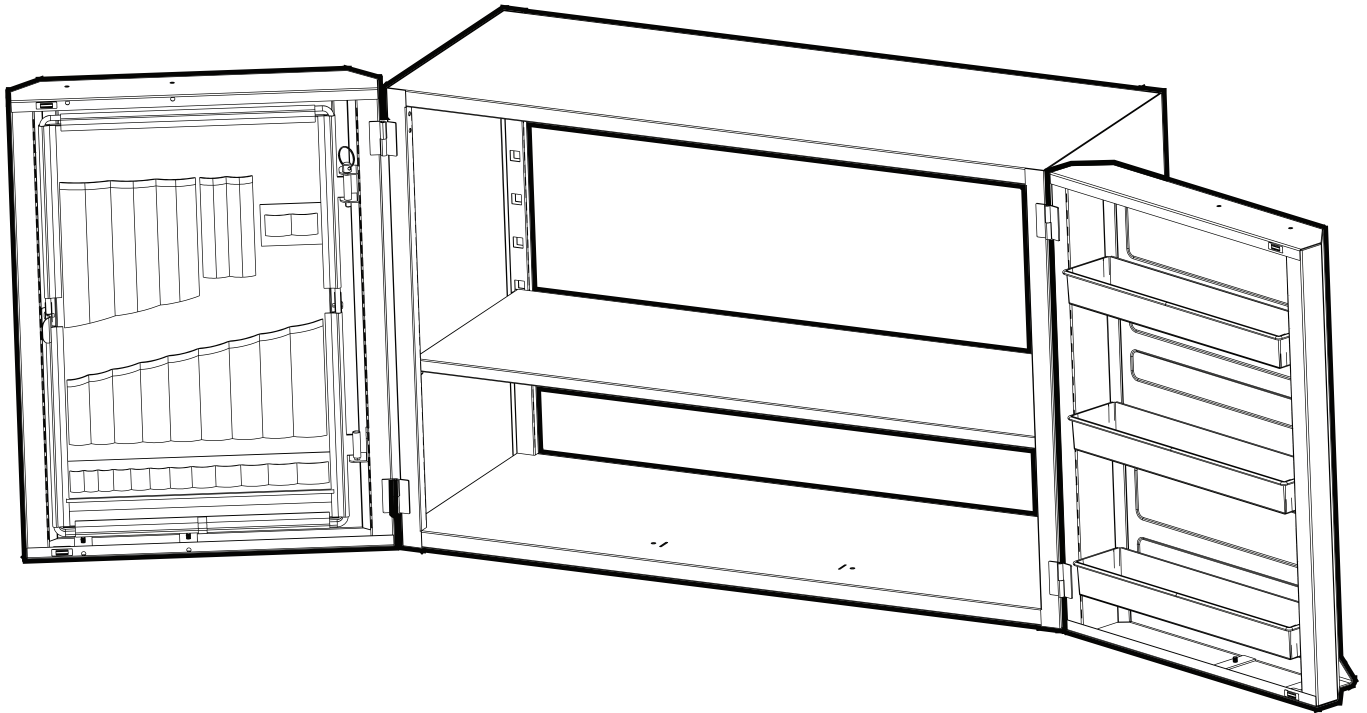
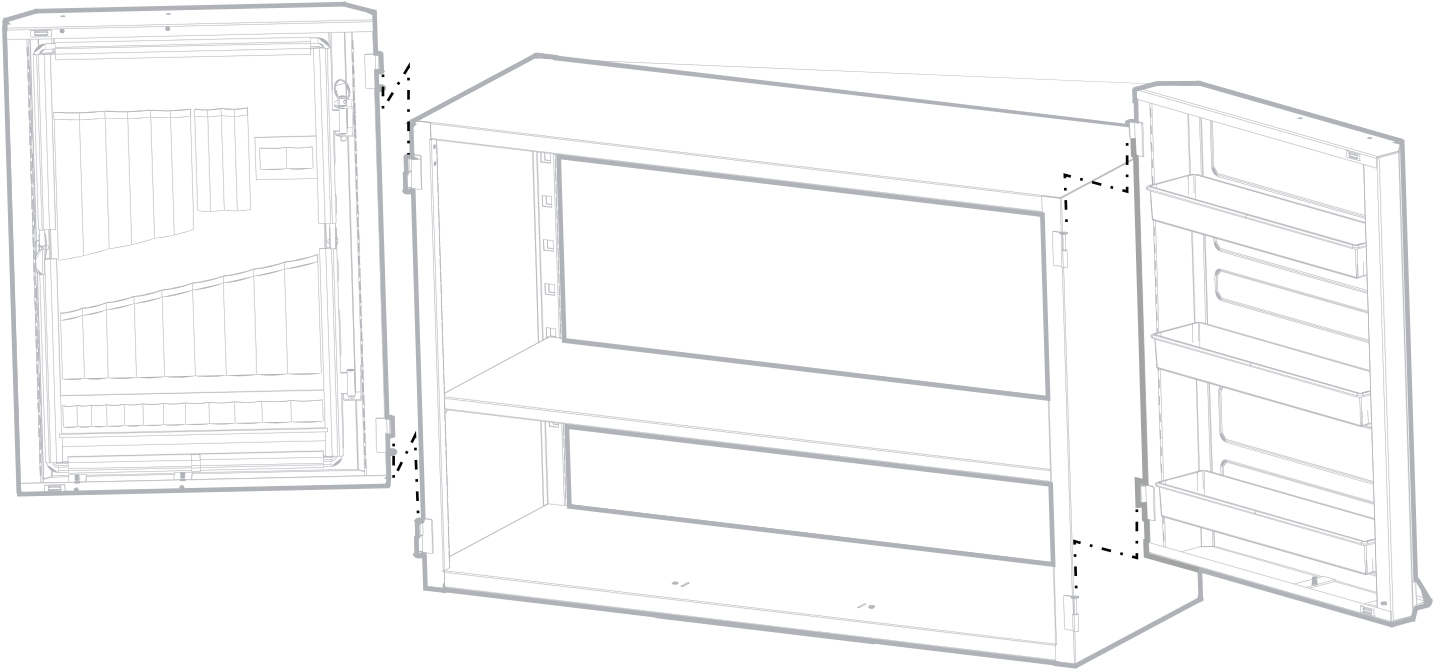
1. The right door is fundamentally assembled for you.
2. Add the handle (F) to the bottom of the door and the screws (I) to finish the job.
3. Do the same for the left door.



I
Medium Screw
M5 x 10mm

INSTALLING DOORS ON CABINET

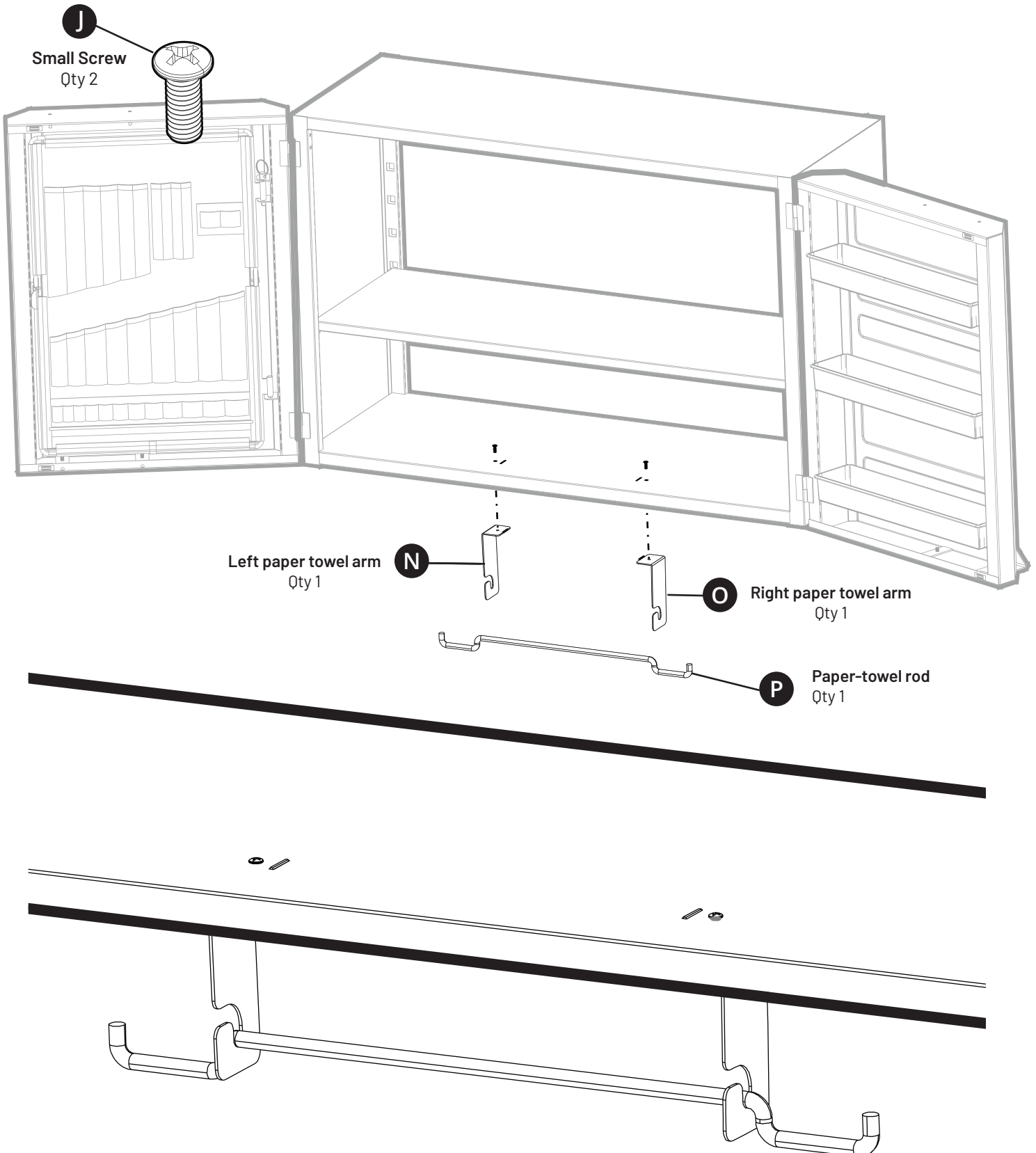
1. Now that the doors are assembled you can hang the doors onto the cabinet.
2. No screws required, the doors slip onto the hinge pins easily



OK LAST STEP AND YOU ARE READY TO LOAD...

INSTALLING PAPER TOWEL HOLDER

1. Here we are, nearly done, let's attach the papertowel holder.
2. Find the screws (J) and the left right paper towel brackets (N,O). Attach them to the base of the cabinet.
3. When they are attached, you are done. Add your favorite paper towel roll to the rod (P) and fill the cabinet.



Warranty Coverage

Spire Collective warrants to the original purchaser (“owner”) that all products sold under the StoreYourBoard and Teal Triangle (“Spire Collective”) brands will be free from defects in material and workmanship for the applicable Warranty Period, subject to the terms and conditions outlined below. This warranty applies only if the product was purchased from an authorized Spire Collective dealer, and is valid only for the original purchaser.

Warranty Conditions

To claim warranty coverage, owner must:

Owner shall register the product for warranty coverage.

Owner shall return the product to Spire Collective for inspection.

Owner shall ensure the product has been used solely in accordance with its intended purpose and in compliance with Spire Collective’s written instructions. Modifications, misuse, or improper installation will void this warranty. Spire Collective retains sole discretion to determine whether a product has been modified, misused, or improperly installed.

Warranty Coverage Details

If a defect arises due to the product’s intended use and proper care within the Warranty Period, Spire Collective, at its discretion, will repair or replace the defective product. In certain circumstances, Spire Collective may repair or replace only the specific defective part (e.g., hardware, rack arm, or mounting bracket). If significant chips in powder coating or dents in materials are present upon arrival, Spire Collective may, at its discretion, replace the affected parts.

Exclusions

This warranty does not cover defects arising from conditions outside Spire Collective’s control, including, but not limited to:

Misuse, overloading, or failure to assemble, mount, or use the product in accordance with Spire Collective’s written instructions or guidelines.

Degradation due to neglect and/or improper care.

Damage caused by accidents, extreme weather, or acts of nature.

Warranty Period

The warranty is valid for the lifetime of the product or its parts unless otherwise specified or excluded in this warranty.

Warranty Disclaimer

The exclusive remedy for any defect under this warranty is the repair, replacement, or refund/credit issued by Spire Collective, at its discretion. Spire Collective is not liable for damage to property or injury to individuals. No warranties, either express or implied, extend beyond this written warranty. Any implied warranties, including those of merchantability or fitness for a particular purpose, are limited to the duration of this express warranty. Some jurisdictions do not allow limitations on implied warranties, so this may not apply to you.

Limitation of Liability

Under no circumstances will Spire Collective be liable for any incidental or consequential damages arising from a breach of warranty, contract, negligence, tort, or strict liability. Some jurisdictions do not allow exclusions of incidental or consequential damages, so this limitation may not apply to you.

Legal Rights

This warranty provides you with specific legal rights, and you may also have additional rights which vary by jurisdiction.

Warranty Availability

This warranty is only valid in the United States. No Spire Collective reseller, agent, or employee is authorized to modify or extend this warranty.

To receive updates on product information, warranty details, and safety instructions, please register your product with Spire Collective.

Marine Grade Lifetime Warranty:

Marine Grade Products are covered by our Lifetime Warranty if installed under saltwater conditions, provided that the product is properly maintained and cleaned according to the manufacturer’s guidelines. Damage or malfunctions caused by neglect, improper care, or failure to follow maintenance recommendations will not be covered.

To ensure your product’s longevity in saltwater environments, regular cleaning and maintenance is required.

For further assistance or inquiries, please contact our customer service team at info@storeyourboard.com.

Thank you for purchasing another great product by



STOREYOUR

StoreYour is headquartered at 24 Conestoga Way, Troy, VA 22974