

INSTALLATION GUIDE

WALL MOUNTED BALL STORAGE

Questions or Concerns?

Contact us at:  info@storeyourboard.com

IMPORTANT INFORMATION

Wall Mounted Ball Storage

Manufactured for Spire LLC by MCA in China

Quantity: 1

WARNING! The Wall Mounted Ball Storage Rack is NOT intended for use by any person under the age of 18 years old. You must be over the age of 18 to install or use the Wall Mounted Ball Storage Rack.

WARNING! Strictly follow all instructions to avoid an accident, damage to property, personal injury or death.

WARNING! Do not use this product for human suspension. Components can fail causing person to fall, possibly resulting in serious injury or death.

READ THE ENTIRE USER MANUAL BEFORE INSTALLATION

The User Manual you received with your Wall Mounted Ball Storage Rack provides instructions on how to install and use your rack. The instructions are written for a person with a basic understanding of tools and procedures. Read the entire manual before proceeding. If you do not understand any portion of the instructions, do not attempt installation, and email info@storeyourboard.com.

CORRECTLY INSTALL THE PRODUCT

Read and follow all instructions carefully.

Accordingly, it is critical that the Wall Mounted Ball Storage Rack be installed correctly and according to the instructions in the User Manual.

USE TOOLS SAFELY

The procedures in the User Manual may require climbing ladders and/or operating power tools. Make sure you are familiar with these tools and their safety procedures before attempting to use such tools during installation. Always be aware of electrical wires during installation. Failure to do so could result in an electrical shock or death.

WARNING!

Contact with wires can give you a severe electrical shock, which may cause injury or death. If you do not know where wires are, have the work done by an experienced professional.

IMPORTANT INFORMATION

CAUTION

It is the consumer's responsibility to install this system in accordance with all codes, ordinances, and local regulations.

When installing the Wall Mounted Ball Storage Rack, it is the consumer's responsibility to ensure the structural integrity of the structure it is being mounted to.

The Wall Mounted Ball Storage Rack is intended for the storage of sports equipment only. Do not use it for any other purpose.

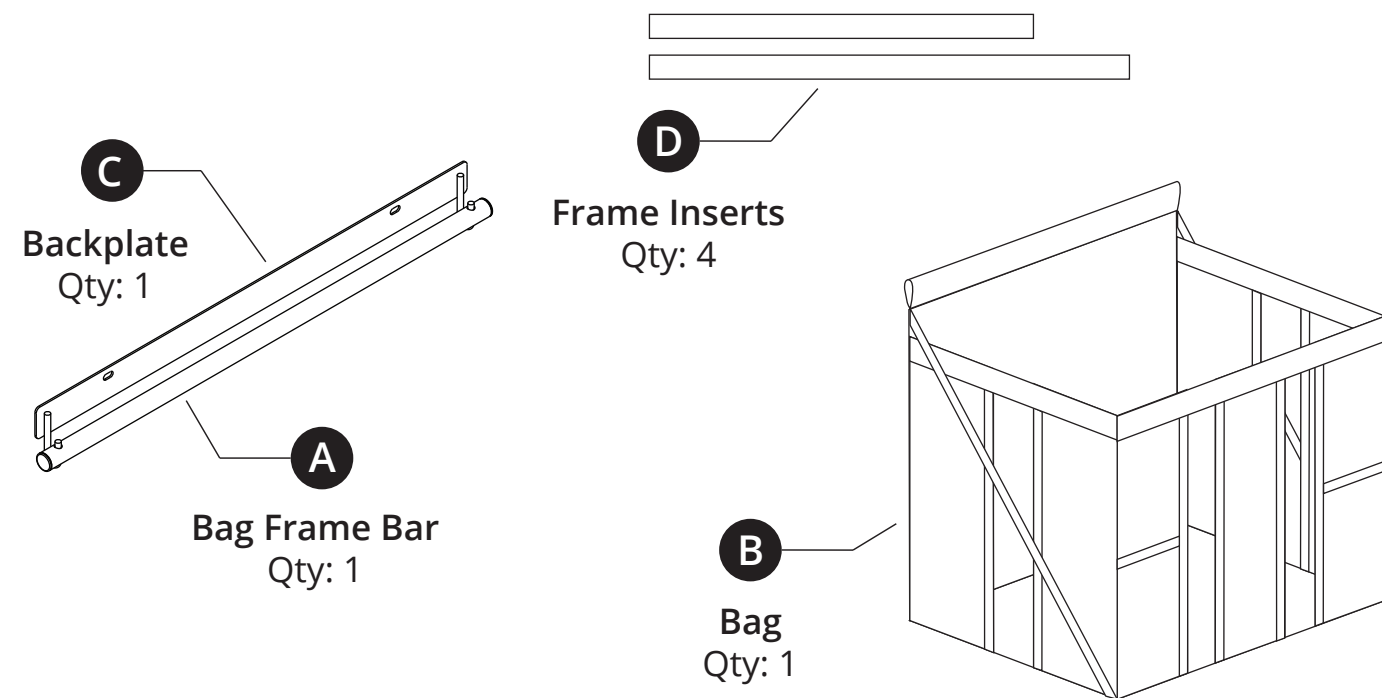
This system has a maximum capacity of 50 lbs. Overloading the system could result in damage to property or injury.

It is the consumer's responsibility to ensure that the system is in proper working condition before loading objects onto the system. Check tightness of all bolts and screws periodically. Failure to properly maintain the system could result in damage to property or injury.

WARNING AND DISCLAIMER

Spire LLC (d/b/a Store Your Board) expressly disclaims any and all liability for personal injury, property damage or loss, whether direct, indirect, incidental, resulting from the incorrect mounting, improper use, inadequate maintenance, or neglect of this system.

INSTALLATION



INCLUDED HARDWARE:



E
Lag Screw
Qty: 2



F
Washer
Qty: 2

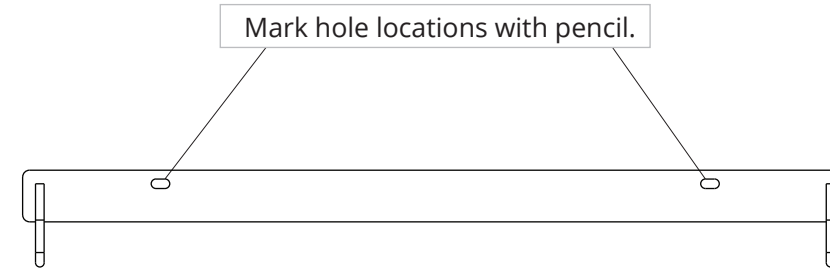
RECOMMENDED TOOLS:

10mm Socket
5/32" Drill Bit
Tape Measure
Pencil
Stud Finder
Drill/Driver

WEIGHT LIMITS:

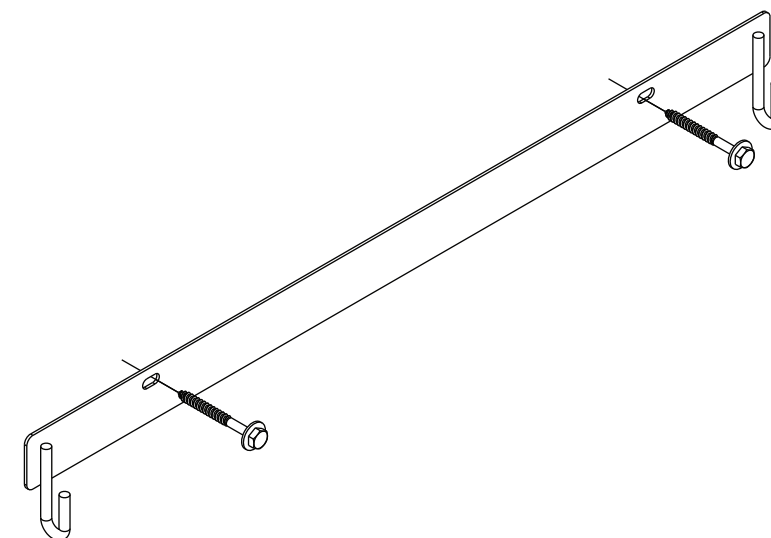
50 lbs. max

1 Using a stud finder, locate the stud and mark its location. Hold Backplate (C) up to stud location at the height you would like above the floor and mark the hole locations with a pencil. Use a level to ensure the backplate hangs parallel to the floor. Height above the floor will depend on how high you want to store the Ball Storage System.



2 Using a 5/32" drill bit, drill 2 holes at the marked locations.

3 Using a 10mm socket, tighten the lag screws (E) against Washer (F) and Backplate (C).



- 4** Slide Frame Inserts (D) into the bag at the locations in figure 4-1.
Slide Bag Frame (A) into Bag (B) making sure that the elastic straps that extend the length of the bag come over the top of the Bag Frame Bar (B).

Figure 4-1

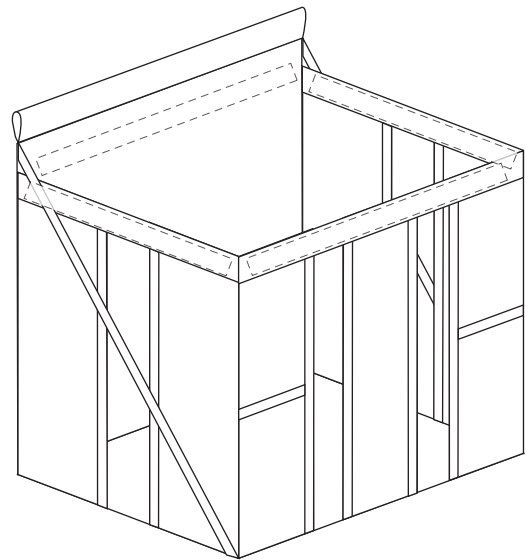
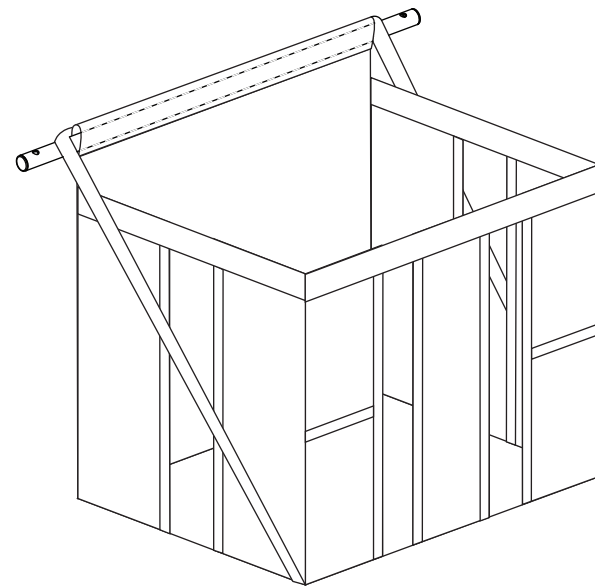
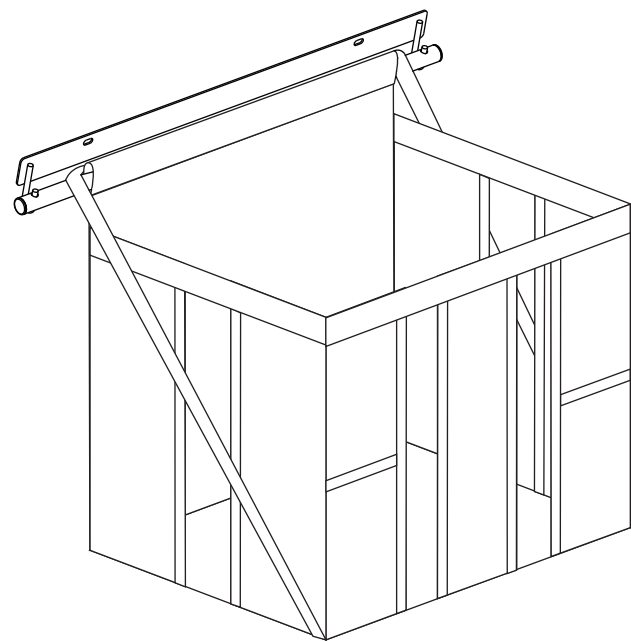
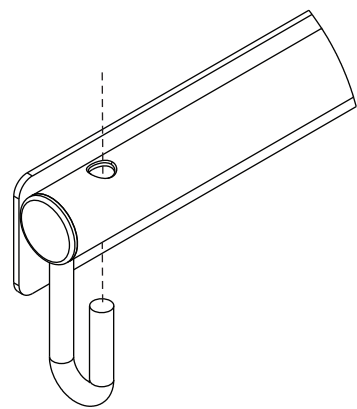


Figure 4-2



- 5** Line up the holes in the Bag Frame (A) with the hooks on the Backplate (C) and drop into place.



CARE INSTRUCTIONS

Periodically check lag screw tightness.

Spot clean fabric with water and air dry.