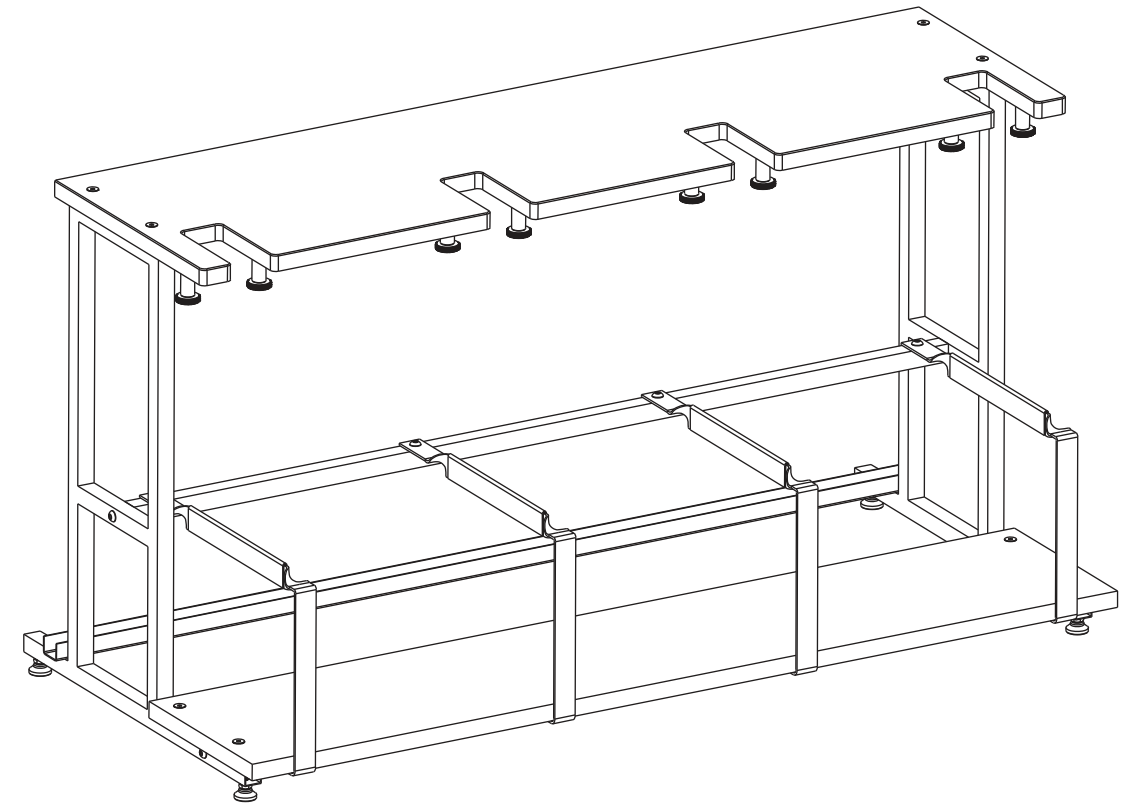


▲ TEAL TRIANGLE



INSTALLATION GUIDE WASATCH SKI RACK



SCAN QR CODE FOR INSTALL VIDEO

IMPORTANT INFORMATION

Wasatch Ski Rack | REV 0

Manufactured for Spire LLC in Vietnam

Quantity: 1

WARNING! The Wasatch Ski Rack is NOT intended for use by any person under the age of 18 years old. You must be over the age of 18 to install or use the Wasatch Ski Rack.

WARNING! Strictly follow all instructions to avoid an accident, damage to property, personal injury or death.

WARNING! Do not use this product for human suspension. Components can fail causing person to fall, possibly resulting in serious injury or death.

WARNING! When operating system, make sure the area below object is clear of persons. If object comes down too quickly, this can cause an accident.

READ THE ENTIRE USER MANUAL BEFORE INSTALLATION

The User Manual you received with your Wasatch Ski Rack provides instructions on how to install and use your Wasatch Ski Rack. The instructions are written for a person with a basic understanding of tools and procedures. Read the entire manual before proceeding. If you do not understand any portion of the instructions, do not attempt installation, and email support@tealtriangle.com.

CORRECTLY INSTALL THE PRODUCT

Read and follow all instructions carefully.

Failure to properly install and use the Wasatch Ski Rack could allow the product to dismantle or tip over, injuring persons or personal property in the process. Accordingly, it is critical that the Wasatch Ski Rack be installed correctly and according to the instructions in the User Manual.

USE TOOLS SAFELY

The procedures in the User Manual may require climbing ladders and/or operating power tools. Make sure you are familiar with these tools and their safety procedures before attempting to use such tools during installation. Always be aware of electrical wires during installation. Failure to do so could result in an electrical shock or death.

WARNING!

Contact with wires can give you a severe electrical shock, which may cause injury or death. If you do not know where wires are, have the work done by an experienced professional.

IMPORTANT INFORMATION

CAUTION

It is the consumer's responsibility to install this system in accordance with all codes, ordinances, and local regulations.

When installing the Wasatch Ski Rack, it is the consumer's responsibility to ensure the structural integrity of the structure it is being mounted to.

The Wasatch Ski Rack is intended for the storage of Ski equipment only. Do not use it for any other purpose.

This system has a maximum capacity of 60 lbs. Overloading the system could result in damage to property or injury.

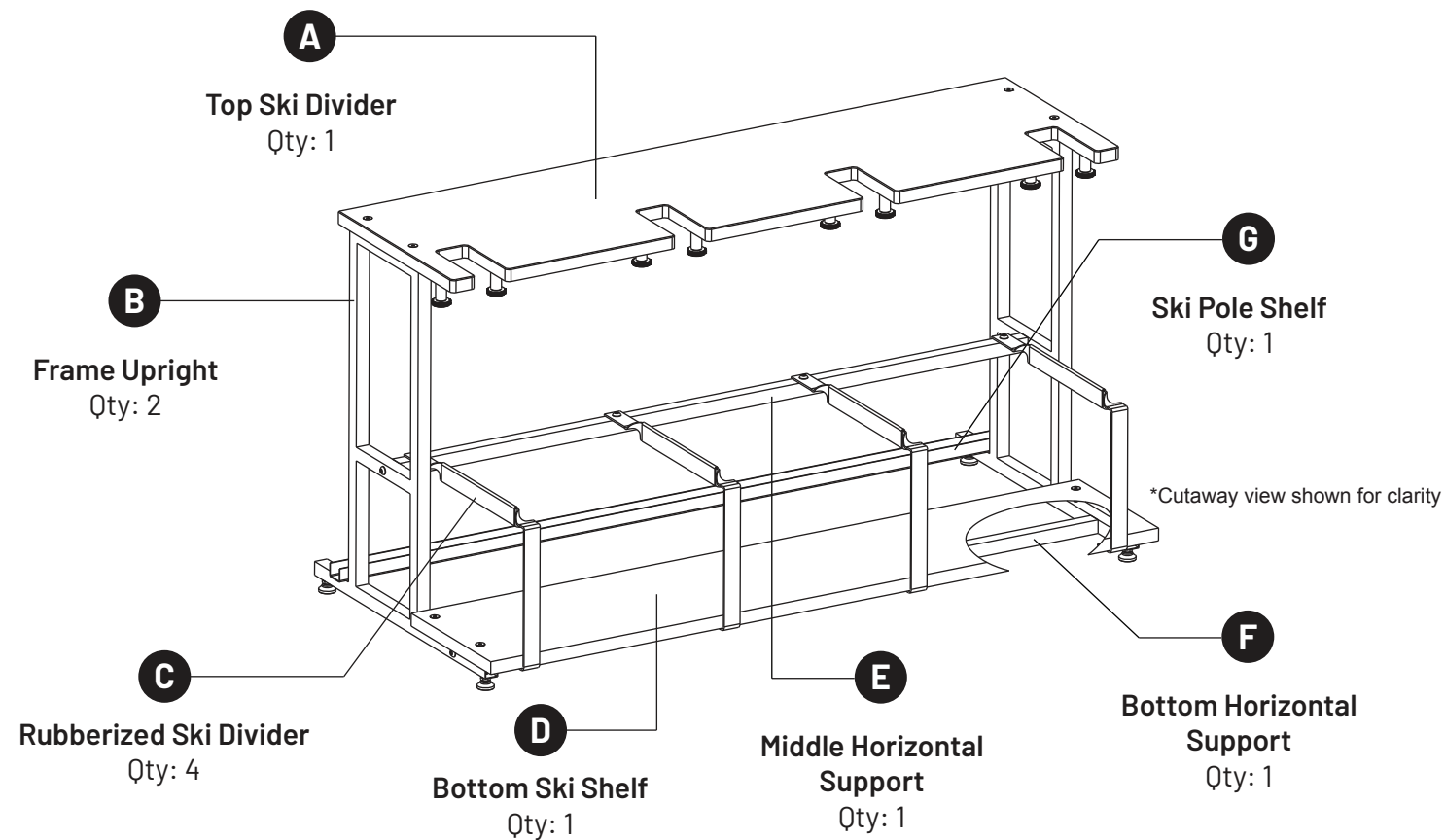
Use extreme caution when loading and unloading equipment from this system.

It is the consumer's responsibility to ensure that the system is in proper working condition before loading objects onto the system. Check tightness of all bolts and screws periodically. Failure to properly maintain the system could result in damage to property or injury.

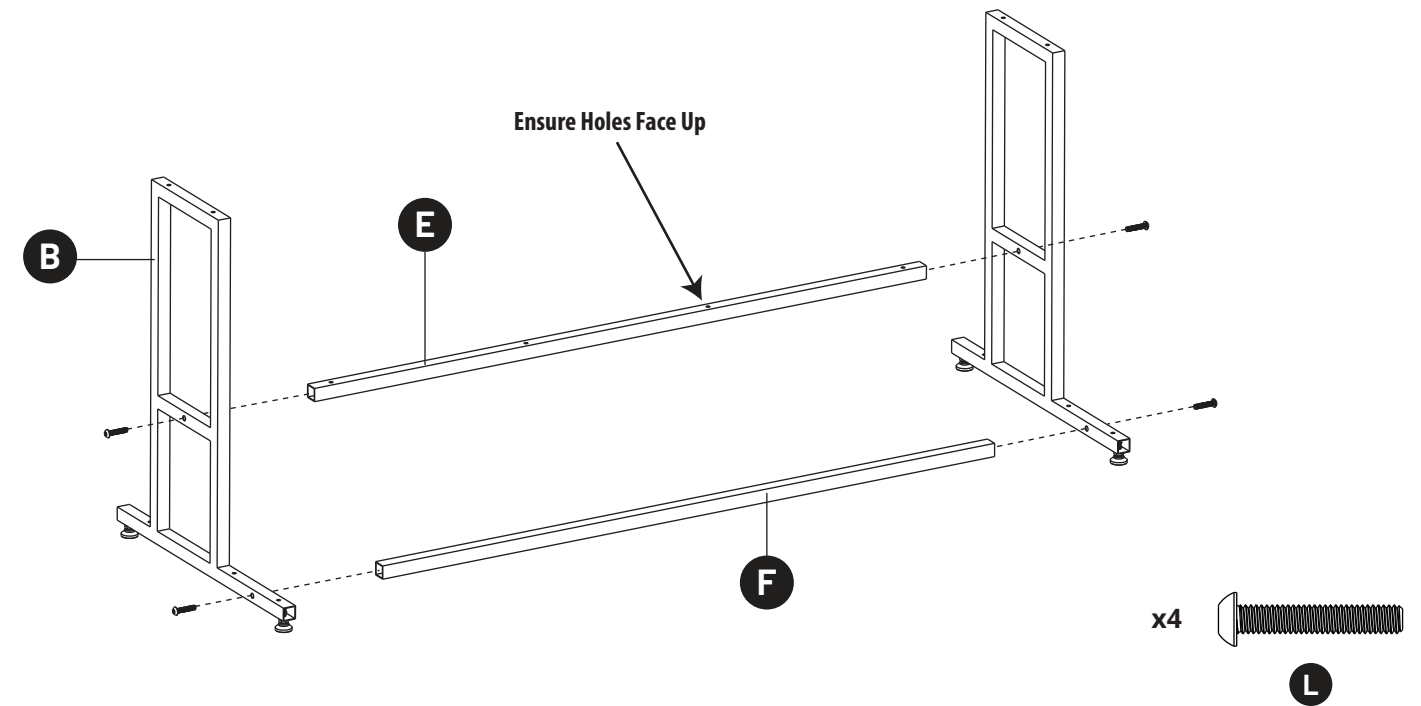
WARNING AND DISCLAIMER

Spire LLC (d/b/a StoreYourBoard) expressly disclaims any and all liability for personal injury, property damage or loss, whether direct, indirect, incidental, resulting from the incorrect mounting, improper use, inadequate maintenance, or neglect of this system.

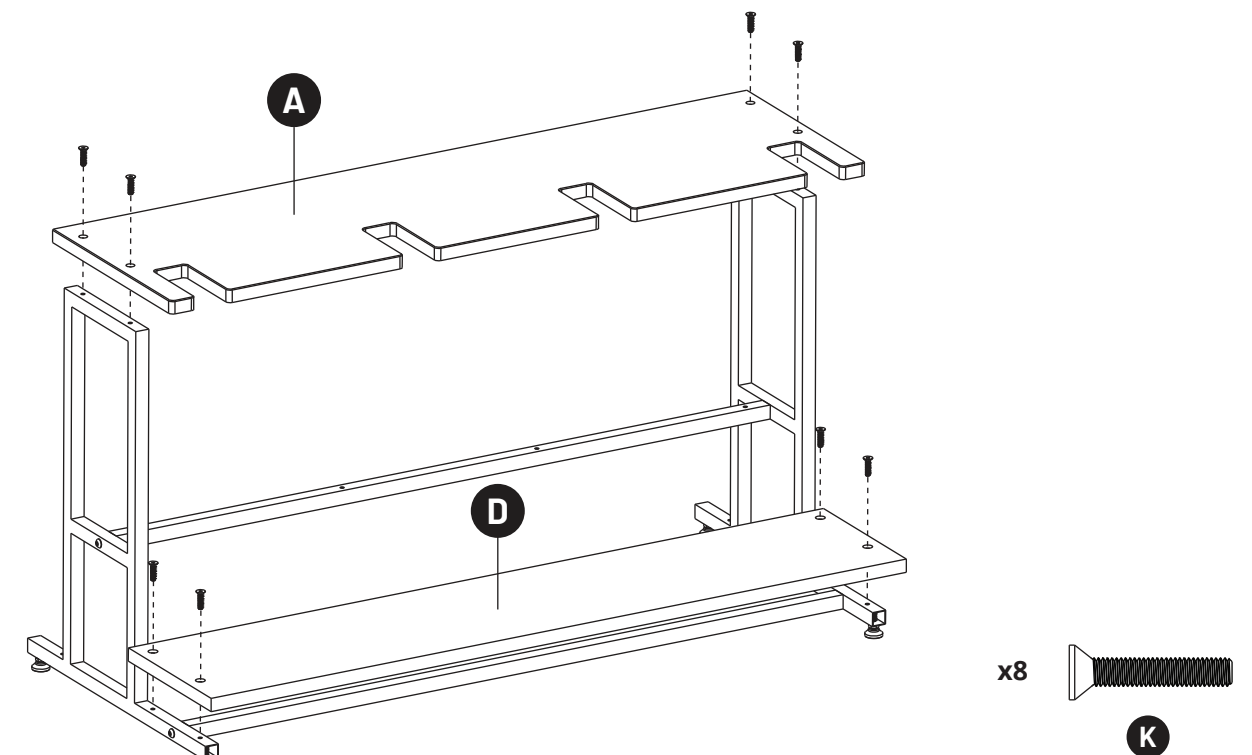
INSTALLATION



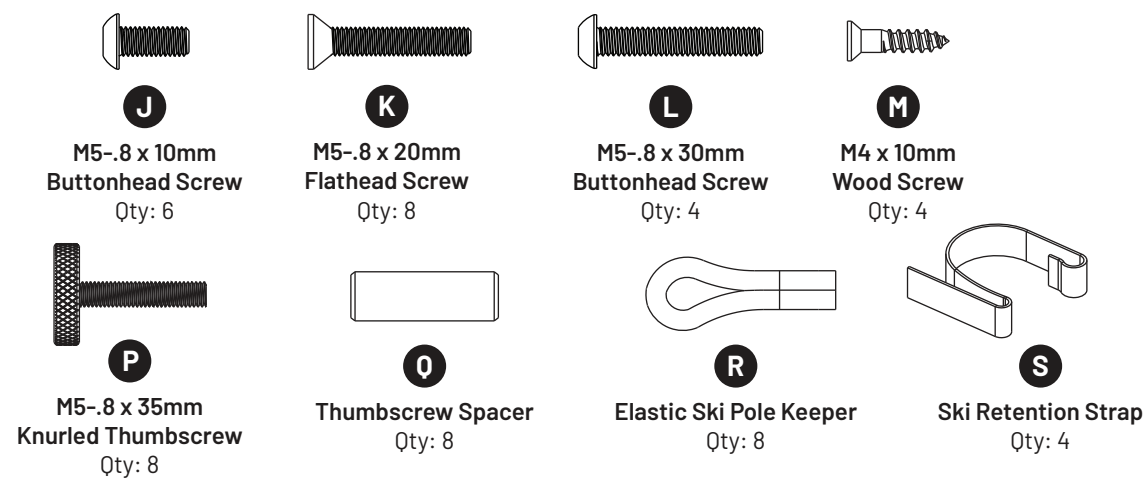
1 Make the base by fastening the Frame Uprights (B) and Horizontal Supports (F,E) using four buttonhead screws (L) and the supplied 3mm Allen Key (T). Ensure the holes in (E) are facing up.



2 Attach the Top Ski Divider (A) and Bottom Ski Shelf (D) using x8 Flathead Screws (K). You may need to slightly loosen the screws that were tightened in step 1 to get the holes to line up. Re-tighten as necessary.

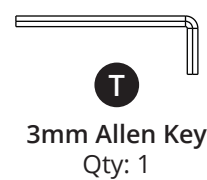


INCLUDED HARDWARE/TOOLS:



RECOMMENDED TOOLS:

3mm Allen Key (Included)
Phillips Screwdriver



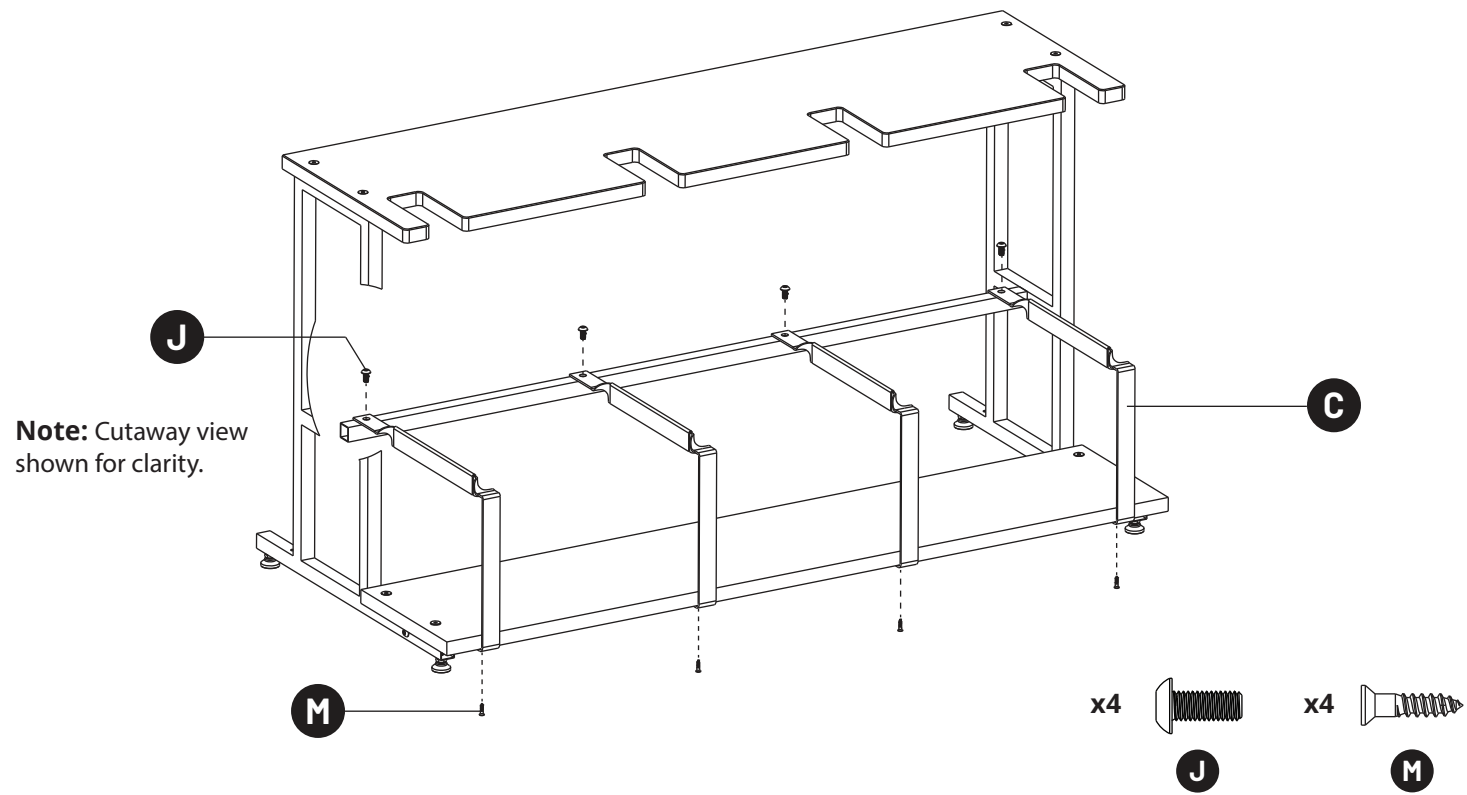
WEIGHT LIMITS:

15lbs. Per *Ski Slot (60 lbs total)

*Weight should be on part D

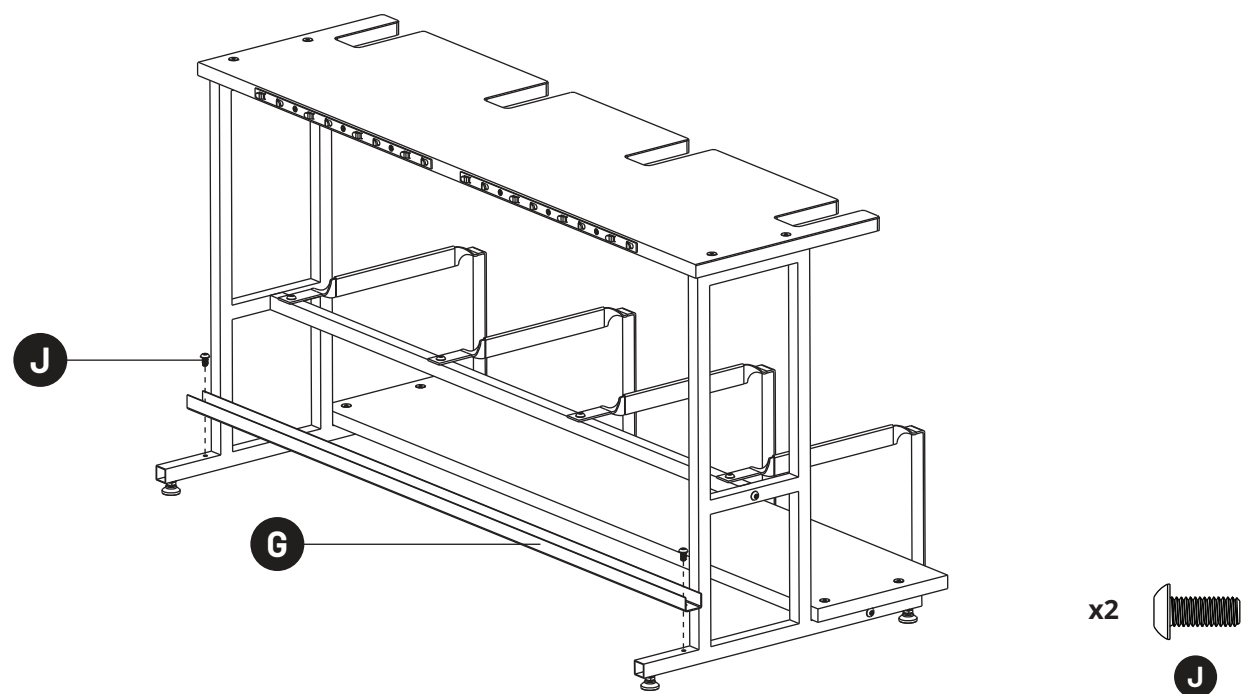
3

Fasten the Rubberized Ski Dividers (C) to the bottom of the shelf (D) and the Top Horizontal Upright (E) using the hardware specified below.



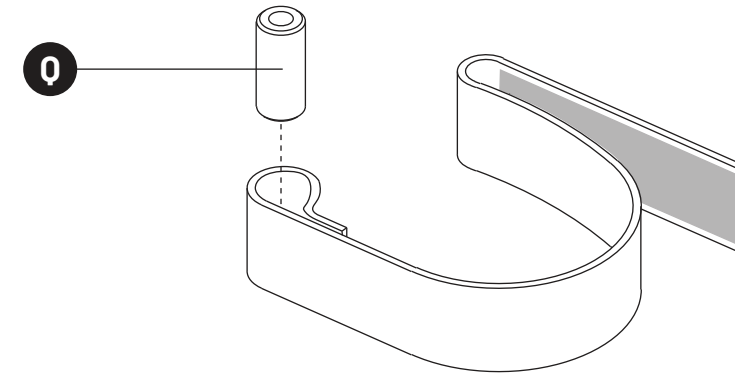
4

Attach the Ski Pole Divider (G) to the Frame Uprights (B).



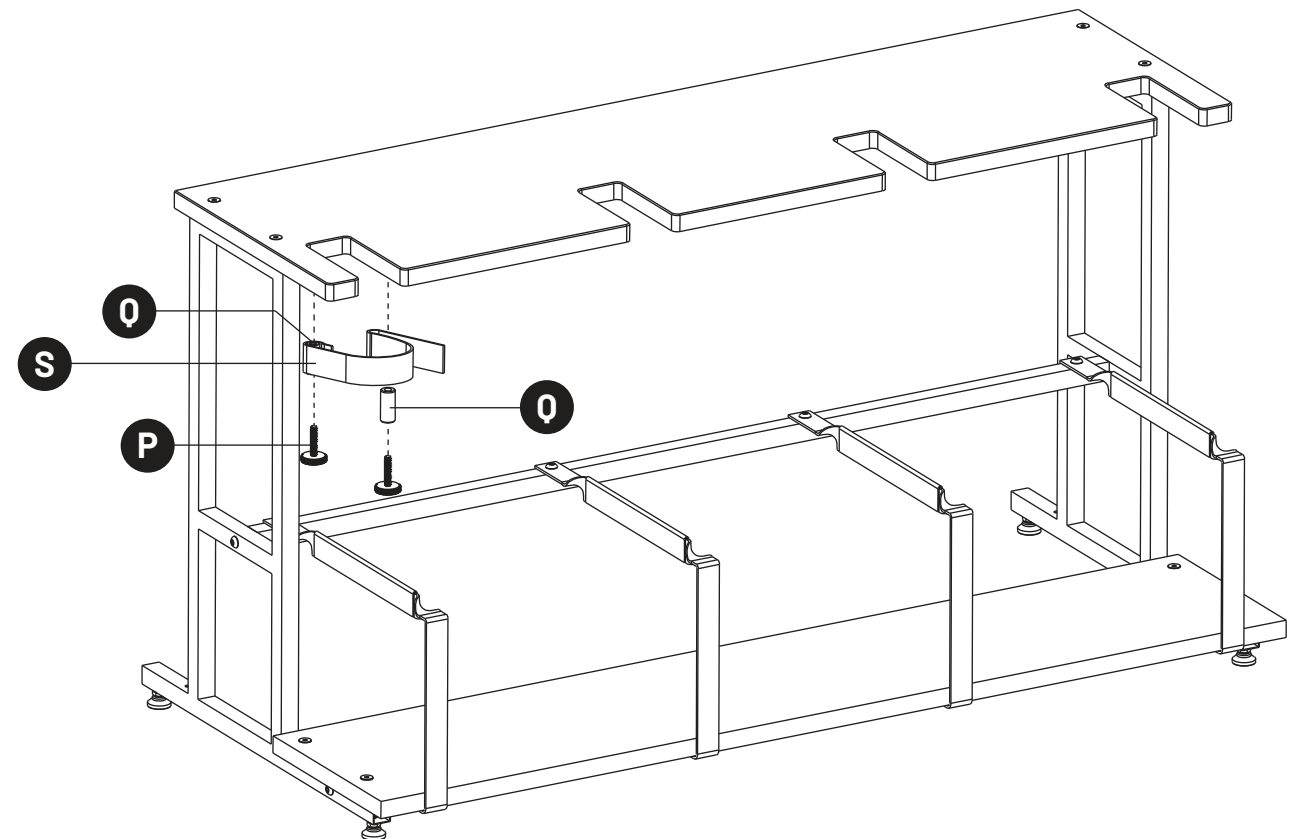
5

Insert a Thumbscrew Spacer (Q) into the looped end of each Ski Retention Strap (S).



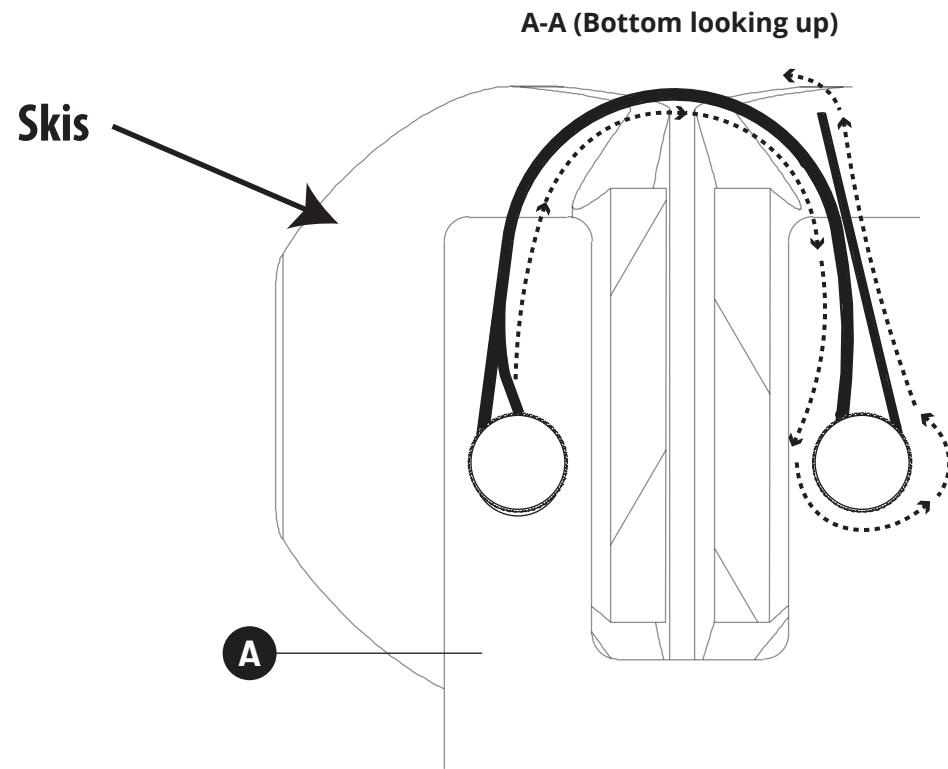
6

Attach the Ski Straps (S) by screwing the Thumbscrew (P) into the underside of the Top Ski Divider (A).



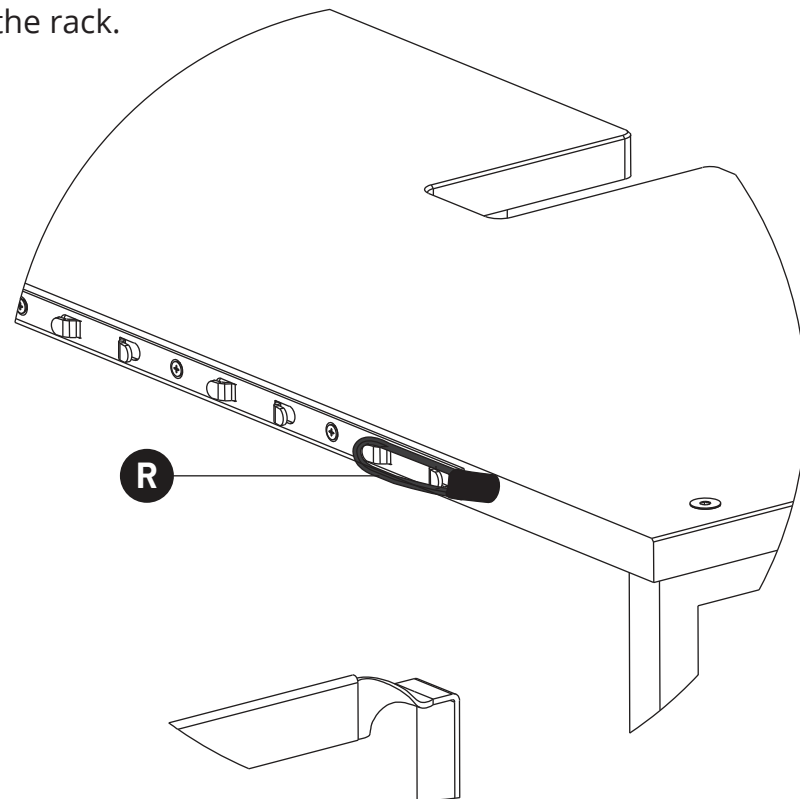
7

Place your skis together with the binding brake intertwined. Loosen the strap (S) and slide the skis carefully over the Rubberized Ski Divider (J). Wrap the strap around the skis as seen in the image A-A below. Elastic Ski Pole Keepers (R) can be used to secure the ski poles on the back of the rack.



8

Elastic Ski Pole Keepers (R) can be used to secure the ski poles on the back of the rack.



Tip: Place ski pole keepers (R) on tabs when ski pole is absent to avoid loss.