

# INSTALLATION GUIDE

## FOLDING WORKBENCH



SCAN THIS QR CODE FOR  
THE FULL INSTALL VIDEO.

---

Questions or Concerns?

Contact us at:  [info@storeyourboard.com](mailto:info@storeyourboard.com)

# IMPORTANT INFORMATION

---

Folding Workbench

Manufactured for Spire LLC in Vietnam

Quantity: 1

**WARNING! The product is NOT intended for use by any person under the age of 18 years old. You must be over the age of 18 to install or use the product.**

**WARNING! Strictly follow all instructions to avoid an accident, damage to property, personal injury or death.**

## **READ THE ENTIRE USER MANUAL BEFORE INSTALLATION**

The User Manual you received with your product provides instructions on how to install and use your product. The instructions are written for a person with a basic understanding of tools and procedures. Read the entire manual before proceeding. If you do not understand any portion of the instructions, do not attempt installation, and email us with the information on the cover.

## **CORRECTLY INSTALL THE PRODUCT**

Read and follow all instructions carefully.

Failure to properly install and use the product could allow the product to dismantle or fall, injuring persons or personal property in the process. Accordingly, it is critical that the product be assembled and installed correctly and according to the instructions in the User Manual.

## **USE TOOLS SAFELY**

The procedures in the User Manual may require climbing ladders and/or operating power tools. Make sure you are familiar with these tools and their safety procedures before attempting to use such tools during installation. Always be aware of electrical wires during installation. Failure to do so could result in an electrical shock or death.

## **CAUTION**

It is the consumer's responsibility to install this system in accordance with all codes, ordinances, and local regulations.

When installing the product, it is the consumer's responsibility to ensure the structural integrity of the structure it is being mounted to.

The product is intended for the storage of sporting equipment only. Do not use it for any other purpose.

This system has a maximum capacity stated in the following section. Overloading the system could result in damage to property or injury.

Use extreme caution when loading and unloading equipment from this system.

It is the consumer's responsibility to ensure that the system is in proper working condition before loading objects onto the system. Check tightness of all bolts and screws periodically. Failure to properly maintain the system could result in damage to property or injury.

## **WARNING AND DISCLAIMER**

Spire LLC (d/b/a StoreYourBoard) expressly disclaims any and all liability for personal injury, property damage or loss, whether direct, indirect, incidental, resulting from the incorrect mounting, improper use, inadequate maintenance, or neglect of this system.

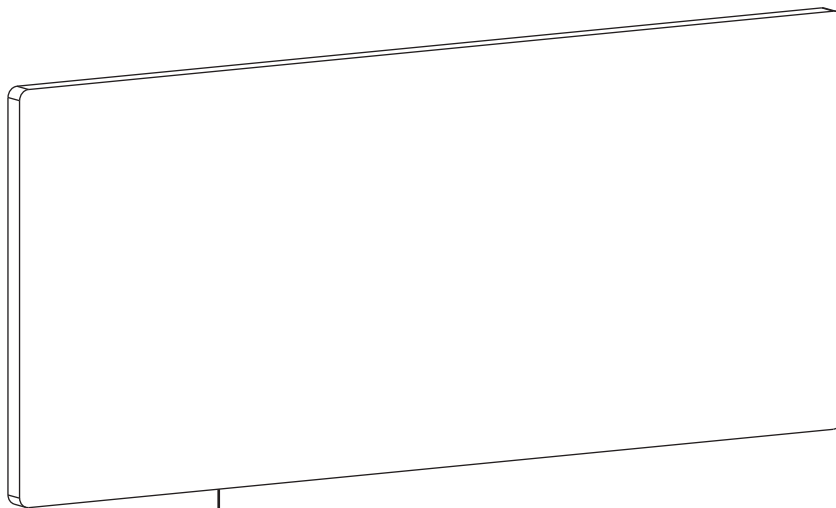
# FOLDING WORKBENCH PARTS

## WEIGHT LIMITS:

200 lbs. when properly installed in wood wall studs

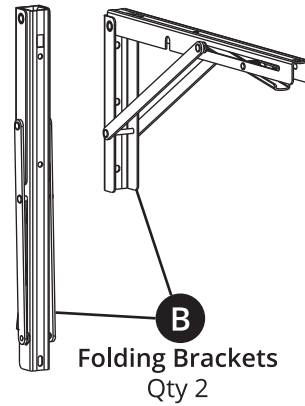
## REQUIRED TOOLS:

Drill/driver  
Stud Finder  
3/32" (2.5mm drill bit)  
Phillips Screw driver  
Level



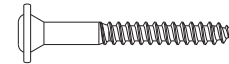
**A**

Wood Top  
Qty 1



**B**

Folding Brackets  
Qty 2



**C**

Wall Screws  
0.2" x 2"  
Qty 6



**D**

Wood Top Screws  
0.16" x 0.6"  
Qty 6

## INSTALLATION STEPS

1

### Locating Studs and Marking Holes

Start by using a stud finder and a pencil to locate and mark the center of the wall studs where you plan to mount the brackets. For standard 16" stud spacing, we recommend placing the brackets 32" apart.

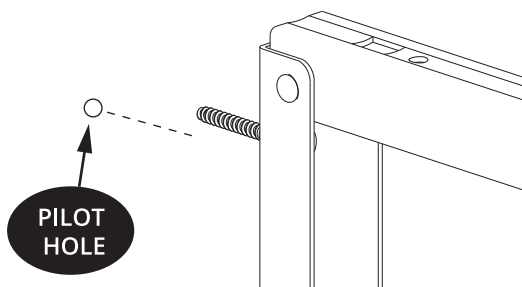
Extend one of the Folding Brackets (B) to the "up" position and hold it against the wall, ensuring that the mounting holes are centered over the stud. Mark the top mounting hole location using a pencil.

2

### Mounting the First Bracket

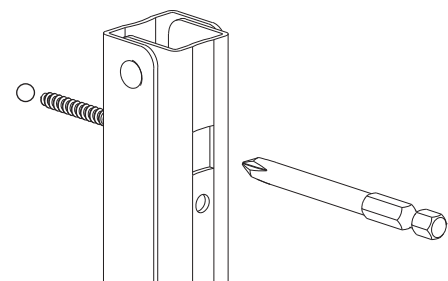
Drill a pilot hole at the marked location using a 3/32" (2.5mm) drill bit.

Insert a wall screw through the top mounting hole and, while holding the screw in position, press the bracket lever to collapse the Folding Bracket. Secure the screw into the pilot hole through the rectangle cutout on the top of the Folding Bracket. Avoid fully tightening it at this stage.



PILOT HOLE

BRACKET EXTENDED



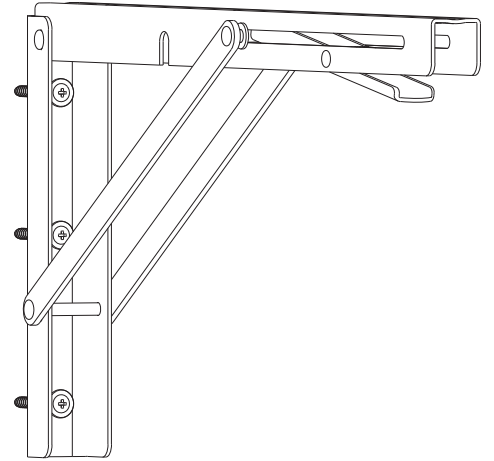
BRACKET COLLAPSED

### 3 Install Remaining Screws on First Bracket

Mark the locations for the two remaining mounting holes on the bracket.

Swing the bracket out of the way to drill pilot holes in these marked locations.

Securely fasten all three screws, ensuring they are fully tightened.



### 4 Mounting the Second Bracket

- Use a level and a straight edge to mark hole locations for the second bracket.
- Repeat the steps outlined above to mount the second bracket securely.

### 5 Attaching the Wood Top

Lift the ends of both brackets to lock them in the extended position.

Center the Wood Top (A) over the two brackets, making sure it is positioned evenly.

Mark the locations for three holes underneath each bracket to attach the wood top securely.

Remove the wood top temporarily and drill pilot holes at the marked locations using a 3/32" (2.5mm) drill bit.

Carefully place the wood top back on the brackets and use a Phillips head screwdriver to attach it to the brackets using the Wood Top Screws (D). Ensure a secure connection.

**Be extremely cautious not to drill through the wood top**

