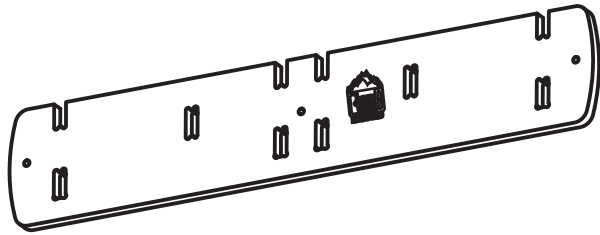
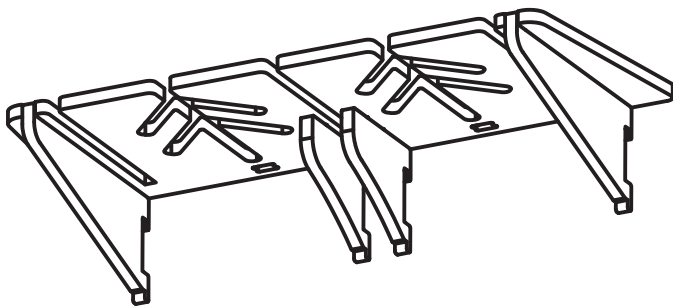




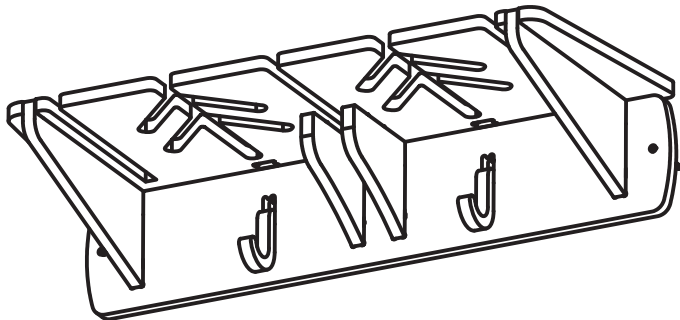
Thank you for purchasing the **PONDEROSA** ski and snowboard rack from Rado Racks!



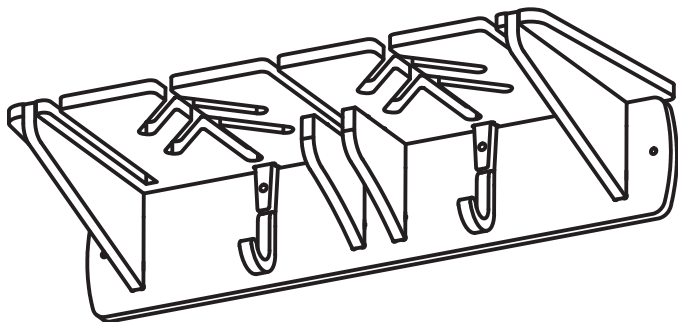
-Using the gold screws attach base plate to the wall with logo facing out.



-Assemble top plate and arms.



-Slide the the assembled top plate with arms into the base plate on the wall. Then slide in the J hooks



-Slide in the two T-shaped keys from the top and screw them into place. These pieces are required to hold the top plate in place.

If you have questions or issues you can visit our [www.radoracks.com](http://www.radoracks.com) to see an assembly video. If you have any questions please reach out to us. We're happy to help!